

Product data sheet

Characteristics

XS606B3CAL01M12

inductive sensor XS6 Ø6.5 - L51mm - brass - Sn2.5mm - 12..24VDC - M12 0.15m



Product availability: Non-Stock - Not normally stocked in distribution facility

Price*: 126.48 USD



Main

Range of product	OsiSense XS
Series name	General purpose
Sensor type	Inductive proximity sensor
Sensor name	XS6
Sensor design	Cylindrical Ø 6.5 mm plain
Size	51 mm
Body type	Fixed
Detector flush mounting acceptance	Flush mountable
Material	Metal
Type of output signal	Discrete
Wiring technique	2-wire
[Sn] nominal sensing distance	0.10 ln (2.5 mm)
Discrete output function	1 NO
Output circuit type	DC
Electrical connection	Remote male connector M12, 4 pins
Cable length	0.49 Ft (0.15 m)
[Us] rated supply voltage	12...24 V DC reverse polarity protection
Switching capacity in mA	<= 100 mA DC overload and short-circuit protection
IP degree of protection	IP67 IEC 60529

Complementary

Detection face	Frontal
Front material	PPS
Enclosure material	Nickel plated brass
Sensing range	> 0...0.1 in (> 0...2.5 mm)
Operating zone	0.00...0.08 ln (0...2 mm)
Differential travel	1...15% of Sr
Cable composition	2 x 0.11 mm ²
Wire insulation material	PvR

Status LED	Output state 1 LED yellow)
Supply voltage limits	10...36 V DC
Switching frequency	<= 3000 Hz DC
Maximum voltage drop	<4 V closed)
Maximum delay first up	10 Ms
Maximum delay response	0.3 Ms
Maximum delay recovery	0.3 Ms
Marking	CE
Threaded length	1.18 In (30 mm)
Length	2.01 In (51 mm)
Net Weight	0.15 Lb(US) (0.07 kg)

Environment

Product certifications	CSA UL
Ambient air temperature for operation	-13...158 °F (-25...70 °C)
Ambient air temperature for storage	-40...185 °F (-40...85 °C)
Vibration resistance	25 gn +/- 2 mm 10...55 Hz)IEC 60068-2-6
Shock resistance	50 gn 11 ms IEC 60068-2-27

Ordering and shipping details

Category	22486 - SENSORS, PROXIMITY
Discount Schedule	DS2
GTIN	03389119045391
Nbr. of units in pkg.	1
Package weight(Lbs)	1 Lb(US) (0.45 kg)
Returnability	No
Country of origin	FR

Packing Units

Unit Type of Package 1	PCE
Package 1 Height	1.61 In (4.1 cm)
Package 1 width	2.52 In (6.4 cm)
Package 1 Length	3.70 In (9.4 cm)
Unit Type of Package 2	BAG
Number of Units in Package 2	1
Package 2 Weight	1.06 Oz (30 g)
Package 2 Height	0.59 In (1.5 cm)
Package 2 width	7.87 In (20 cm)
Package 2 Length	5.91 In (15 cm)
Unit Type of Package 3	S01
Number of Units in Package 3	22
Package 3 Weight	30.79 Oz (873 g)
Package 3 Height	5.91 In (15 cm)
Package 3 width	5.91 In (15 cm)
Package 3 Length	15.75 In (40 cm)

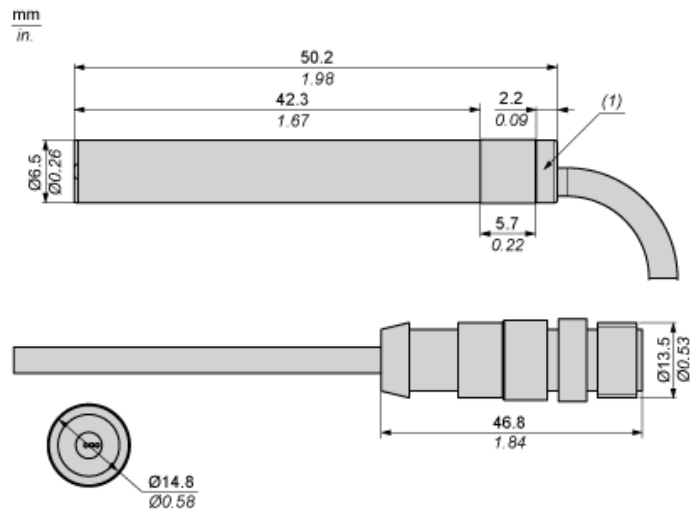
Offer Sustainability

Sustainable offer status	Green Premium product
EU RoHS Directive	Pro-active compliance (Product out of EU RoHS legal scope) EU RoHS Declaration
Mercury free	Yes
RoHS exemption information	Yes
Environmental Disclosure	Product Environmental Profile
Circularity Profile	End Of Life Information

Contractual warranty

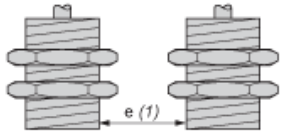
Warranty	18 months
----------	-----------

Dimensions



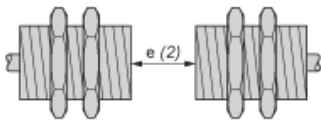
Minimum Mounting Distances in mm

Side by side



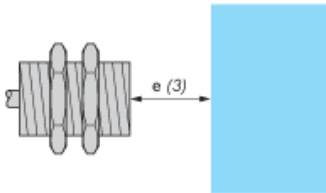
e (1) 5 mm/0.20 in.

Face to face



e (2) 30 mm/1.18 in.

Facing a metal object



e (3) 3 mm/0.31 in.

Wiring Schemes

2-Wire Polarised

M12 connector

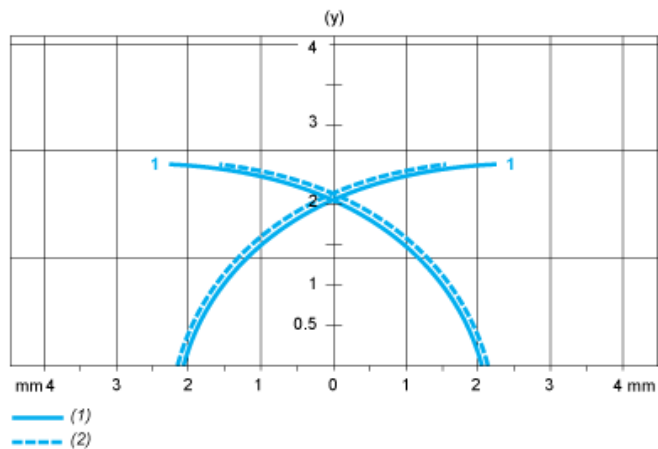


NO output



Performance Curves

Standard Steel Target (mm) : 8x8x1



- (1) Pick-up points
- (2) Drop-out points (object approaching from the side)
- (y) Sensing distance in mm

Product Life Status : Commercialised