

# Product data sheet

## Characteristics

# XMPE12B2431C

pressure sensor XMP - 12 bar - 4xG 1/4 female -  
2 NC - ON/OFF knob control



Price\*: 170.00 USD



### Main

Range of product	OsiSense XM
Pressure sensor type	Electromechanical pressure sensor
Pressure sensor name	XMP
Pressure sensor size	174.05 Psi (12 bar)
Fluid connection type	4 x G 1/4 (female) ISO 228
Controlled fluid	Air 32...158 °F (0...70 °C)) Fresh water 32...158 °F (0...70 °C)) Sea water 32...158 °F (0...70 °C))
Cable entry	2 entries tapped for Pg 13.5 cable gland NF C 68-300
Contacts type and composition	2 NC snap action
Product specific application	Bulk packaging
Pressure switch type of operation	Regulation between 2 thresholds
Electrical connection	Screw-clamp terminals minimum : 2 x 4 mm <sup>2</sup>
Electrical circuit type	Power circuit
Scale type	Adjustable differential
Local display	Without
Sale per indivisible quantity	10

### Complementary

Adjustable range of switching point on falling pressure	4.35...149.39 Psi (0.3...10.3 bar)
Adjustment range high setting	18.85...174.05 Psi (1.3...12 bar)
Possible differential minimum at low setting	14.50 Psi (1 bar)
Possible differential minimum at high setting	24.66 Psi (1.7 bar)
Possible differential maximum at high setting	121.83 Psi (8.4 bar)
Destruction pressure	435.11 Psi (30 bar)
Type of decompression valve	Straight valve instant connection
Control type	ON/OFF knob
Terminal block type	4 terminals
Pressure actuator	Diaphragm
Materials in contact with fluid	Chromated zinc alloy Canvas covered nitrile

Enclosure material	PA impregnated with fiberglass
Operating position	Any position
Maximum operating rate	10 Cyc/Mn
Repeat accuracy	3.5 %
[Ui] rated insulation voltage	500 V EN/IEC 60947-1
[Uimp] rated impulse withstand voltage	6 KV EN/IEC 60947-1
Maximum resistance across terminals	25 MOhm IEC 60255-7 category 3 25 MOhm NF C 93-050 method A
Electrical durability	1000000 Cycles 1.5 kW 10 cyc/mn 0.4, 400 V AC 3 phase 500000 Cycles 3 kW 10 cyc/mn 0.4, 400 V AC 3 phase 600000 Cycles 1.5 kW 10 cyc/mn 0.4, 230 V AC 3 phase 700000 Cycles 2.2 kW 10 cyc/mn 0.4, 400 V AC 3 phase
Mechanical durability	1000000 Cycles
Setting	Nut
Net Weight	0.99 Lb(US) (0.45 kg)
Terminals description ISO n°1	(3-4)NC (1-2)NC
Maximum Depth	3.86 In (98 mm)
Maximum Height	5.43 In (138 mm)
Maximum Width	2.24 In (57 mm)

## Environment

Product certifications	EAC
Standards	CE EN/IEC 60947-4-1
Ambient air temperature for operation	-13...158 °F (-25...70 °C)
Ambient air temperature for storage	-40...158 °F (-40...70 °C)
Vibration resistance	3 gn 10...500 Hz)IEC 60068-2-6
Shock resistance	50 gn IEC 60068-2-27
Electrical shock protection class	Class I IEC 60536
IP degree of protection	IP54 EN/IEC 60529

## Ordering and shipping details

Category	18407-WORLD SERVICE PARTS(SENSORS)
Discount Schedule	T
GTIN	03389110709872
Nbr. of units in pkg.	1
Package weight(Lbs)	1.59 Oz (45 g)
Returnability	No

## Packing Units

Unit Type of Package 1	PCE
Package 1 Height	2.56 In (6.5 cm)
Package 1 width	6.69 In (17 cm)
Package 1 Length	4.53 In (11.5 cm)

## Offer Sustainability

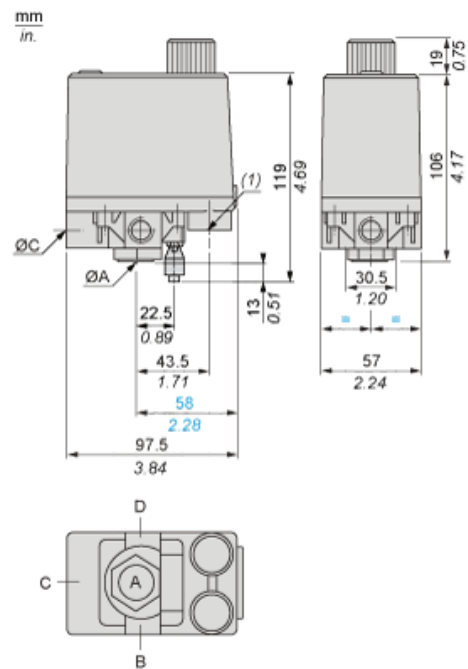
Sustainable offer status	Green Premium product
California proposition 65	WARNING: This product can expose you to chemicals including: Di-isodecyl phthalate (DIDP) and Diisononyl phthalate (DINP) which is known to the State of California to cause Carcinogen and Reproductive harm. For more information go to <a href="http://www.p65warnings.ca.gov">www.p65warnings.ca.gov</a>
EU RoHS Directive	Pro-active compliance (Product out of EU RoHS legal scope) <a href="#">EU RoHS Declaration</a>
Mercury free	Yes
RoHS exemption information	<a href="#">Yes</a>
Environmental Disclosure	<a href="#">Product Environmental Profile</a>

## Contractual warranty

Warranty	18 months
----------	-----------

Dimensions

With Straight, Instant Connection, Decompression Valve



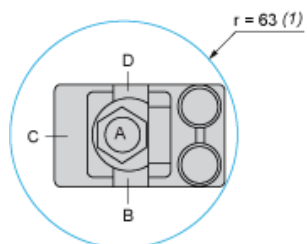
$\varnothing A = \varnothing B / 4$   $\varnothing C = \varnothing D =$

(1) 2 tapped entries for Pg 13.5

---

Minimum Mounting Clearance

---



$\varnothing A = \varnothing B + \varnothing C + \varnothing D =$

(1) Minimum clearance zone for screwing-on pressure switch at point A

---

Wiring Diagram

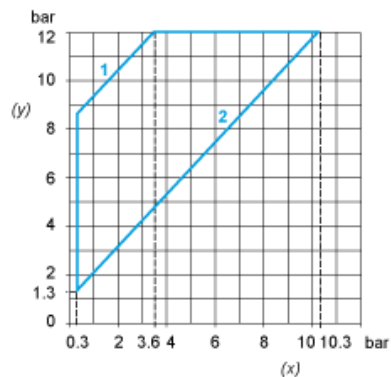
---

Terminal Connections

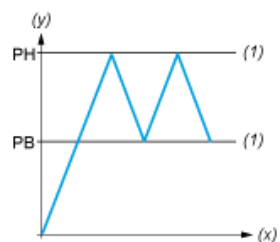


Curves

Operating Curves



- (y) Rising pressure
- (x) Falling pressure
- 1 : Maximum differential
- 2 : Minimum differential



- (y) Pressure
- (x) Time
- (1) Adjustable value
- PH : High point
- PB : Below point

Product Life Status : **End of commercialisation**