

Product data sheet

Characteristics

XMLP2K0PD13Q

pressure transmitter - XMLP - 2000psi -
1/4"18NPT - 0,5..4,5V - M12 - set 40

Price*: 91.00 USD



Commercial status

This Product is Obsolete :

 This Product is Obsolete

Main

Range of product	OsiSense XM
Product or component type	Electronic pressure sensors
Pressure sensor type	Pressure transmitter
Pressure sensor name	XMLP
Electrical circuit type	Control circuit
Pressure sensor size	13789.51 KPa (2000 psi)
Local display	Without
Controlled fluid	Fresh water 32...248 °F (0...120 °C)) Air -22...248 °F (-30...120 °C)) Hydraulic oil -22...248 °F (-30...120 °C)) Gas -22...248 °F (-30...120 °C)) Refrigeration fluid -22...248 °F (-30...120 °C))
Fluid connection type	1/4" - 18 NPT (male)
Electrical connection	1 male connector M12 4 pins
[Us] rated supply voltage	5 V DC SELV 4.5...5.5 V)
Current consumption	< 5 mA
Type of output signal	Analogue
Analogue output function	0.5...4.5 V, 3-wire
Quantity per set	Set of 40
Type of packing	Group

Complementary

Pressure setting range	0.00...13789.51 KPa (0...2000 psi)
Maximum permissible accidental pressure	27579.03 KPa (4000 psi)
Destruction pressure	82737.08 KPa (12000 psi)
Materials in contact with fluid	Stainless steel type 17-4PH Stainless steel type AISI 304
Operating position	Any position
Protection type	Load short-circuit Reverse polarity

Electromagnetic compatibility	Susceptibility to electromagnetic fields EN/IEC 61000-4-3 10 V/m 80...1000 MHz Electrical fast transient/burst immunity test EN/IEC 61000-4-4 2 kV 1.2/50 µs shock waves immunity test EN/IEC 61000-4-5 500 V 12 Ohm, 1 kV 42 Ohm Radiated RF fields EN/IEC 61000-4-6 10 V 0.15...80 MHz Electrostatic discharge immunity test EN/IEC 61000-4-2 8 kV air, 4 kV contact
[Uimp] rated impulse withstand voltage	0.5 KV
Response time on output	< 5 ms 92 % of full scale
Measurement accuracy	+/- 0.5 % of the measuring range
Accuracy	Infinity
Drift of the sensitivity	+/- 0.02 % of measuring range/°K
Drift of the zero point	+/- 0.02 % of measuring range/°K
Repeat accuracy	+/- 0.2 % of the measuring range
Mechanical durability	10000000 Cycles
Net weight	0.11 Lb(US) (0.05 kg)
Diameter	1.18 In (30 mm)
Length	1.02 In (26 mm)

Environment

Standards	EN/IEC 61326-1 CE
Product certifications	EAC CULus RCM
Protective treatment	TC
Ambient air temperature for operation	-22...212 °F (-30...100 °C)
Ambient air temperature for storage	-22...212 °F (-30...100 °C)
Vibration resistance	20 gn 10...2000 Hz) EN/IEC 60068-2-64
Shock resistance	25 gn 11 ms EN/IEC 60068-2-27
IP degree of protection	IP65 EN/IEC 60529 IP67 EN/IEC 60529 IP69K DIN 40050

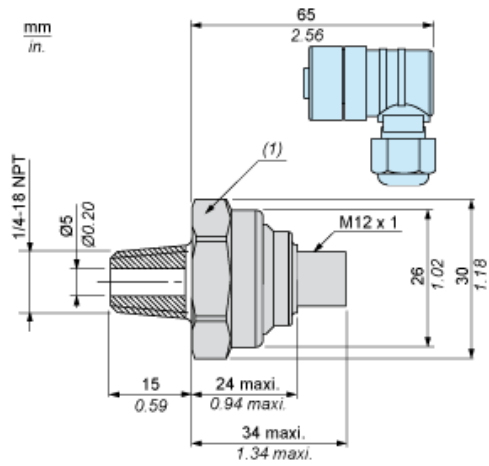
Ordering and shipping details

Category	21561-XMLK,XMLP PRESSURE TRANSMITTERS
Discount Schedule	DS2
GTIN	03389119076753
Package weight(Lbs)	0.13 Lb(US) (0.060 kg)
Returnability	No
Country of origin	DE

Contractual warranty

Warranty	18 months
----------	-----------

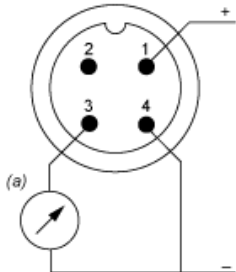
Dimensions



(1) SW27 Tightening torque ≤ 25 Nm / 221 Lb-in

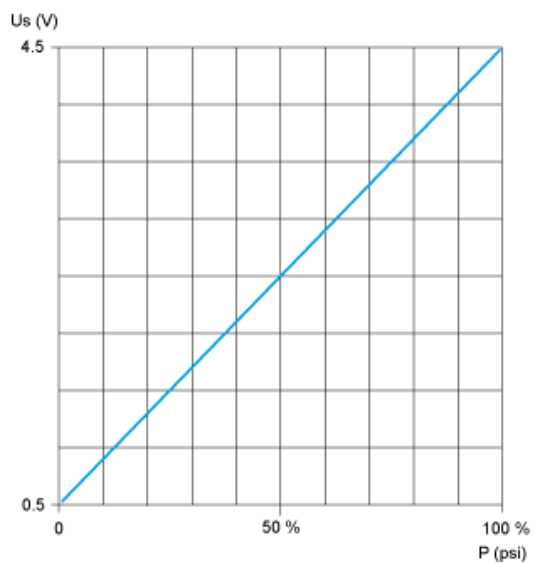
Wiring Diagram

3-Wire Technique (0.5 – 4.5 V)



(a) V out

Curves



Product Life Status : **End of commercialisation**