

Product data sheet

Characteristics

XMLP040BD27Q

pressure transmitter - XMLP - 40bars - 7/16 male
 - 4..20mA - M12 - set of 40
 Price*: 91.00 USD



Commercial status

This Product is Obsolete :

 This Product is Obsolete

Main

Range of product	OsiSense XM
Product or component type	Electronic pressure sensors
Pressure sensor type	Pressure transmitter
Pressure sensor name	XMLP
Electrical circuit type	Control circuit
Pressure sensor size	580.15 Psi (40 bar)
Local display	Without
Controlled fluid	Fresh water 32...248 °F (0...120 °C) Air -22...248 °F (-30...120 °C) Hydraulic oil -22...248 °F (-30...120 °C) Gas -22...248 °F (-30...120 °C) Refrigeration fluid -22...248 °F (-30...120 °C)
Fluid connection type	SAE 7/16-20UNF-2A (male)
Electrical connection	1 male connector M12 4 pins
[Us] rated supply voltage	12...24 V DC SELV 8...30 V)
Current consumption	< 20 mA
Type of output signal	Analogue
Analogue output function	4...20 mA, 2-wire
Quantity per set	Set of 40
Type of packing	Group

Complementary

Pressure setting range	0.00...580.15 Psi (0...40 bar)
Maximum permissible accidental pressure	1160.30 Psi (80 bar)
Destruction pressure	4641.21 Psi (320 bar)
Materials in contact with fluid	Stainless steel type AISI 304 Stainless steel type 17-4PH
Operating position	Any position
Protection type	Reverse polarity Load short-circuit

Electromagnetic compatibility	Susceptibility to electromagnetic fields EN/IEC 61000-4-3 10 V/m 80...1000 MHz Electrical fast transient/burst immunity test EN/IEC 61000-4-4 2 kV 1.2/50 μ s shock waves immunity test EN/IEC 61000-4-5 500 V 12 Ohm, 1 kV 42 Ohm Radiated RF fields EN/IEC 61000-4-6 10 V 0.15...80 MHz Electrostatic discharge immunity test EN/IEC 61000-4-2 8 kV air, 4 kV contact
[Uimp] rated impulse withstand voltage	0.5 KV
Response time on output	< 5 ms 92 % of full scale
Measurement accuracy	+/- 0.5 % of the measuring range
Accuracy	Infinity
Drift of the sensitivity	+/- 0.02 % of measuring range/°K
Drift of the zero point	+/- 0.02 % of measuring range/°K
Repeat accuracy	+/- 0.2 % of the measuring range
Mechanical durability	10000000 Cycles
Net Weight	0.11 Lb(US) (0.05 kg)
Diameter	1.18 In (30 mm)
Length	1.02 In (26 mm)

Environment

Standards	EN/IEC 61326-1 CE
Product certifications	RCM EAC CULus
Protective treatment	TC
Ambient air temperature for operation	-22...212 °F (-30...100 °C)
Ambient air temperature for storage	-22...212 °F (-30...100 °C)
Vibration resistance	20 gn 10...2000 Hz) EN/IEC 60068-2-64
Shock resistance	25 gn 11 ms EN/IEC 60068-2-27
IP degree of protection	IP65 EN/IEC 60529 IP67 EN/IEC 60529 IP69K DIN 40050

Ordering and shipping details

Category	21561-XMLK,XMLP PRESSURE TRANSMITTERS
Discount Schedule	DS2
GTIN	03389119059831
Package weight(Lbs)	0.13 Lb(US) (0.060 kg)
Returnability	No
Country of origin	DE

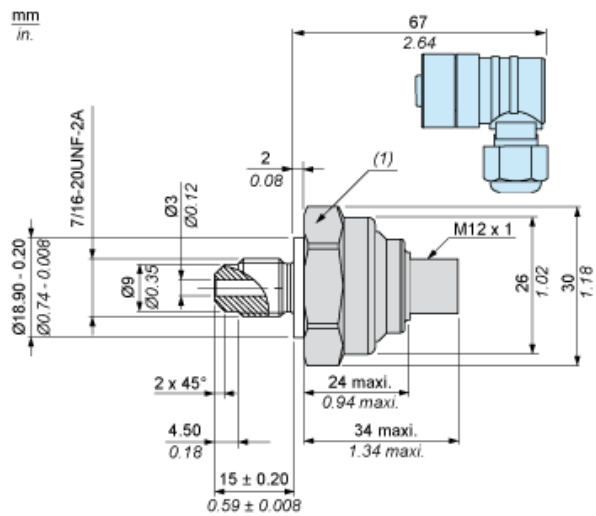
Packing Units

Package 1 Height	0.770 Dm
Package 1 width	1.740 Dm
Package 1 Length	2.770 Dm

Contractual warranty

Warranty	18 months
----------	-----------

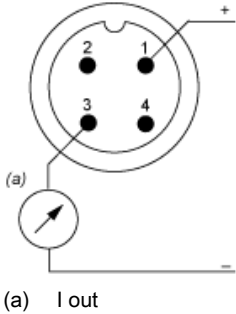
Dimensions



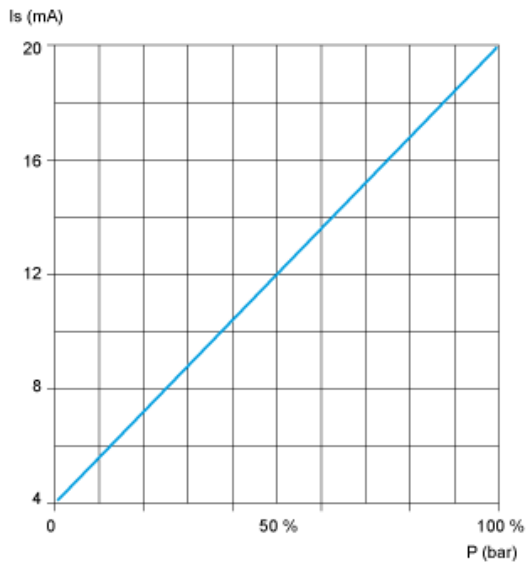
(1) SW27 Tightening torque ≤ 25 Nm / 221 Lb-in

Wiring Diagram

2-Wire Technique (4-20 mA)



Curves



Product Life Status : End of commercialisation