



Main

Range of product	Telemecanique Pressure sensors XM
Product or component type	Electronic pressure sensors
Pressure sensor type	Pressure transmitter
Pressure sensor name	XMLG
Pressure rating	10 Bar
Fluid connection type	G 1/4A (male) conforming to DIN 3852-E
Controlled fluid	Air (-15...125 °C) Corrosive fluid (-15...125 °C) Hydraulic oil (-15...125 °C) Fresh water (0...125 °C)
Type of output signal	Analogue
Analogue output function	4...20 mA, 2 wires
Electrical connection	1 male connector M12, 3 pins
[Us] rated supply voltage	12 V DC (voltage limits: 8...33 V) 24 V DC (voltage limits: 8...33 V)
Quantity per set	Set of 1
Type of packing	Individual
Diameter	22.8 Mm

Complementary

Pressure setting range	0...10 Bar
Maximum permissible accidental pressure	22 Bar
Destruction pressure	25 Bar
Local display	Without
Electrical circuit type	Control circuit
Current consumption	< 20 mA
Materials in contact with fluid	Stainless steel type AISI 303 FPM (Viton) Ceramic
Operating position	Any position
Protection type	Load short-circuit Reverse polarity
Surge withstand	1 KV 42 Ohm conforming to IEC 61000-4-5 500 KV 12 Ohm conforming to IEC 61000-4-5
[Uimp] rated impulse withstand voltage	0.5 KV
Response time on output	< 2 ms
Drift of the sensitivity	+/- 0.015 % of measuring range/°C
Drift of the zero point	+/- 0.015 % of measuring range/°C

Measurement accuracy	+/- 0.3 % of the measuring range
Repeat accuracy	+/- 0.1 % of the measuring range
Mechanical durability	10000000 Cycles
Net weight	0.095 Kg
Height	58.1 Mm
Length	48.5 Mm
Scale type	Fixed differential



Environment

Standards	CE IEC 61326-2-3
Product certifications	UL 508[RETURN]CSA C22.2 No 14
Protective treatment	TC
Ambient air temperature for operation	-15...85 °C
Ambient air temperature for storage	-40...85 °C
Vibration resistance	20 gn (f= 9...2000 Hz) conforming to IEC 60028-2-6
Shock resistance	25 gn for 11 ms conforming to IEC 60068-2-27
Resistance to electrostatic discharge	15 KV in air conforming to IEC 61000-4-2 8 KV on contact conforming to IEC 61000-4-2
Resistance to electromagnetic fields	200 V/M 80...1000 Hz conforming to IEC 61000-4-3
Resistance to fast transients	4 KV conforming to IEC 61000-4-4
Resistance to conducted disturbances	30 V (0.15...80 Hz) conforming to IEC 61000-4-6
Resistance to magnetic fields	30 A/M 50 Hz conforming to IEC 61000-4-8
IP degree of protection	IP66 conforming to IEC 60529 IP67 conforming to IEC 60529
NEMA degree of protection	NEMA 4

Packing Units

Unit Type of Package 1	PCE
Number of Units in Package 1	1
Package 1 Height	5.000 Cm
Package 1 Width	10.500 Cm
Package 1 Length	13.500 Cm
Package 1 Weight	140.000 G
Unit Type of Package 2	S02
Number of Units in Package 2	12
Package 2 Height	15 Cm
Package 2 Width	30 Cm
Package 2 Length	40 Cm
Package 2 Weight	1.925 Kg

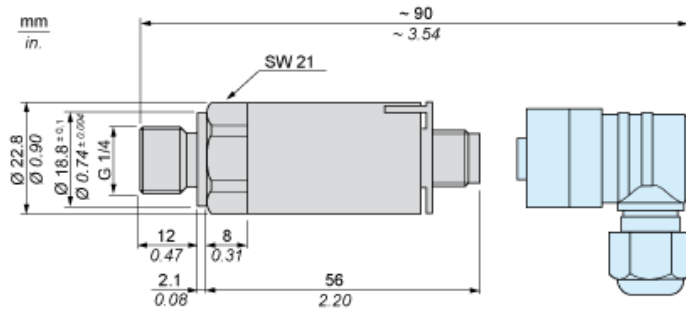
Offer Sustainability

REACH Regulation	 REACH Declaration
EU RoHS Directive	Pro-active compliance (Product out of EU RoHS legal scope)
Mercury free	Yes
RoHS exemption information	 Yes
California proposition 65	WARNING: This product can expose you to chemicals including: Diisononyl phthalate (DINP), which is known to the State of California to cause cancer, and Di-isodecyl phthalate (DIDP), which is known to the State of California to cause birth defects or other reproductive harm. For more information go to www.P65Warnings.ca.gov

Contractual warranty

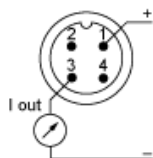
Warranty	18 months
----------	-----------

Dimensions

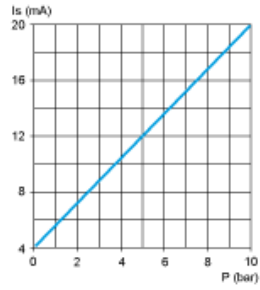


Wiring Diagram

2-Wire Technique (4-20 mA)



Output Curves



Product Life Status : Commercialised