



## Main

|                               |  |
|-------------------------------|--|
| Range of product              | OsiSense XC                            |
| Series name                   | Standard format                        |
| Product or component type     | Limit switch                           |
| Device short name             | XCNT                                   |
| Sensor design                 | Compact                                |
| Body type                     | Fixed                                  |
| Head type                     | Multi-directional head                 |
| Material                      | Plastic                                |
| Body material                 | Plastic                                |
| Head material                 | Plastic                                |
| Fixing mode                   | By the body                            |
| Movement of operating head    | Multi-directional                      |
| Type of operator              | Spring return spring rod               |
| Type of approach              | Multi-directional approach             |
| Cable entry                   | 2 entries tapped for Pg 11 cable gland |
| Number of poles               | 2                                      |
| Contacts type and composition | 2 NC                                   |
| Contact operation             | Slow-break, simultaneous               |

## Complementary

|  |   |
|--|---|
| Switch actuation                       | By any moving part  |
| Electrical connection                  | Screw-clamp open terminals, clamping capacity: 1 x 0.34...2 x 1.5 mm <sup>2</sup>   |
| Contacts insulation form               | Zb  |
| Positive opening                       | With  |
| Minimum torque for tripping            | 0.13 N.m  |
| Maximum actuation speed                | 1 m/s   |
| Contact code designation               | A300, AC-15 (U <sub>e</sub> = 240 V, I <sub>e</sub> = 3 A) , I <sub>the</sub> = 10 A conforming-<br>to EN/IEC 60947-5-1 appendix A<br>R300, DC-13 (U <sub>e</sub> = 250 V, I <sub>e</sub> = 0.1 A) conforming to EN/IEC 60947-5-1 appen-<br>dix A |
| [Ui] rated insulation voltage          | 300 V conforming to CSA C22.2 No 14<br>500 V degree of pollution 3 conforming to IEC 60947-1<br>300 V conforming to UL 508  |
| [Uimp] rated impulse withstand voltage | 6 kV conforming to IEC 60664<br>6 kV conforming to IEC 60947-1  |
| Short-circuit protection               | 10 A cartridge fuse type gG   |
| Mechanical durability                  | 5000000 cycles  |

|        |         |
|--------|---------|
| Width  | 58.8 mm |
| Height | 176 mm  |
| Depth  | 30.5 mm |

## Environment

|                                       |  |
|---------------------------------------|--|
| Shock resistance                      | 20 gn (duration = 11 ms) conforming to IEC 60068-2-27                  |
| Vibration resistance                  | 10 gn (f = 10...500 Hz) conforming to IEC 60068-2-6                    |
| IP degree of protection               | IP65 conforming to IEC 60529   |
| IK degree of protection               | IK04 conforming to EN 50102  |
| Electrical shock protection class     | Class II conforming to IEC 61140<br>Class II conforming to NF C 20-030 |
| Ambient air temperature for operation | -25...70 °C  |
| Ambient air temperature for storage   | -40...70 °C  |
| Protective treatment                  | TC   |
| Product certifications                | UL<br>CSA<br>CCC   |
| Standards                             | EN/IEC 60947-5-1<br>CSA C22.2 No 14<br>UL 508<br>EN/IEC 60204-1        |

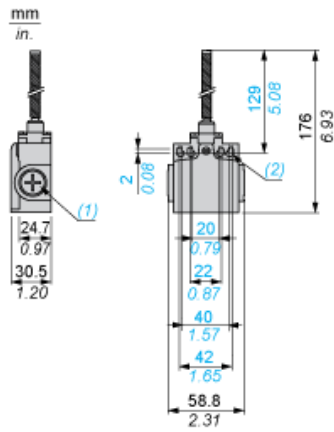
## Offer Sustainability

|                          |  |
|--------------------------|--|
| Sustainable offer status | Green Premium product  |
| RoHS (date code: YYWW)   | Compliant - since 1024 - Schneider Electric declaration of conformity <a href="#">Schneider Electric declaration of conformity</a> |
| REACH                    | Reference not containing SVHC above the threshold  |

## Contractual warranty

|                 |           |
|-----------------|-----------|
| Warranty period | 18 months |
|-----------------|-----------|

Dimensions



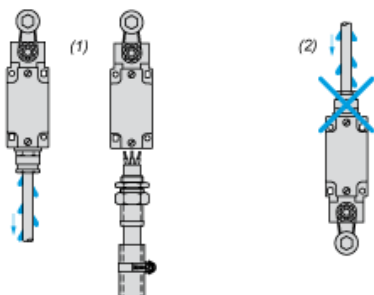
- (1) 2 tapped entry for Pg 11 cable gland
- (2) Ø: 4 elongated holes Ø 4.3 x 6.3

---

Mounting with Cable Entry

---

Position of Cable Gland



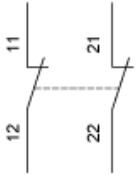
- (1) Recommended
- (2) To be avoided

---

Wiring Diagram

---

2-pole NC + NC Simultaneous, Slow Break

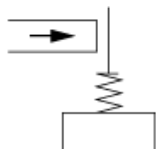


---

Characteristics of Actuation

---

Switch Actuation by Any Moving Part



---

Functionnal Diagram

---



Product Life Status : Commercialised