



Main

Product or component type	Biometric switch
Product specific application	Industrial machines Materials handling
Device short name	XB5S
Bezel material	Dark grey plastic
Mounting diameter	22 Mm
Output type	PNP
Sale per indivisible quantity	1
IP degree of protection	IP20 (rear face) conforming to EN/IEC 60529 IP65 (front face) conforming to EN/IEC 60529
Type of operator	Momentary
Operator profile	Fingerprint reader
Memory usage	200 users with up to 2 fingerprints per user

Complementary

Enclosure material	Polyamide PA66
Cable insulation material	PvR
Operating position	Vertical surface installation Horizontal position Flat surface installation
Function of module	Monostable
Net weight	0,183 Kg
Marking	CE
Local signalling	1 LED (green) for output state indicator 1 LED (orange) for administrator's registration mode 1 LED (orange) for operator's registration mode 1 LED (red) for error 1 LED (red) for reset
Short-circuit protection	250 MA external fuse type gG
[Us] rated supply voltage	24 V DC
Electrical connection	M12 connector of 0,2 m
Supply voltage limits	20...30 V DC
Protection type	Overload protection Short-circuit Reverse polarity
Maximum switching current	200 MA
[Ures] residual voltage	1 V closed state
Current consumption	<= 70 mA no-load
Maximum delay first up	3 S + 0.5 ms per user registered

Maximum delay recovery	1,5 S
Maximum delay response	1,5 S

Environment

Range of product	Harmony XB5S
Ambient air temperature for storage	-25...70 °C
Ambient air temperature for operation	-5...50 °C
NEMA degree of protection	NEMA 12
Standards	IEC 61000-6-2 IEC 61000-6-4
Product certifications	CSA UL
Vibration resistance	+/- 3 mm (f= 5...9 Hz) conforming to IEC 60068-2-6 1 gn (f= 9...500 Hz) conforming to IEC 60068-2-6
Shock resistance	50 gn 11 ms conforming to IEC 60068-2-27

Đơn vị đóng gói

Loại đơn vị của Gói hàng 1	PCE
Số lượng Đơn vị trong Gói hàng 1	1
Trọng lượng Gói hàng 1	160 G
Chiều cao Gói hàng 1	6,7 Cm
Chiều rộng Gói hàng 1	9,5 Cm
Chiều dài Gói hàng 1	18,5 Cm
Loại đơn vị của Gói hàng 2	S02
Số lượng Đơn vị trong Gói hàng 2	8
Trọng lượng Gói hàng 2	1,597 Kg
Chiều cao Gói hàng 2	15 Cm
Chiều rộng Gói hàng 2	30 Cm
Chiều dài Gói hàng 2	40 Cm

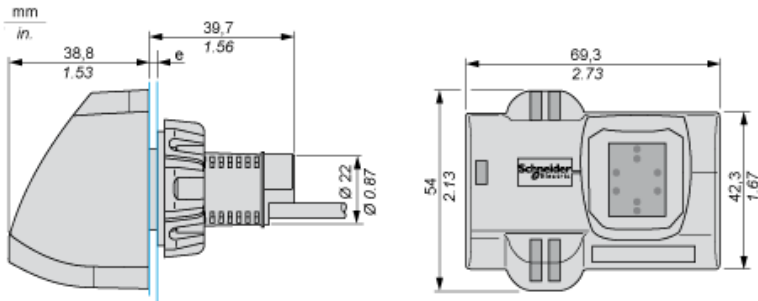
Offer Sustainability

REACH Regulation	REACH Declaration
EU RoHS Directive	Pro-active compliance (Product out of EU RoHS legal scope) EU RoHS Declaration
Mercury free	Yes
RoHS exemption information	Yes
China RoHS Regulation	China RoHS Declaration
Environmental Disclosure	Product Environmental Profile
WEEE	The product must be disposed on European Union markets following specific waste collection and

Contractual warranty

Warranty	18 months
----------	-----------

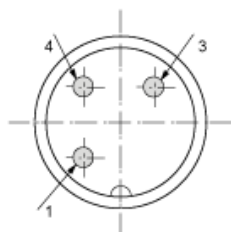
Dimensions of Biometric Switches



e: 1 to 6 mm / 0.04 to 0.24 in.

M12 Connector

M12 connector



- 1: (+)
- 3: (-)
- 4: Output

Product Life Status :	Commercialised
-----------------------	----------------