



Main

Range of product	Harmony XB5
Sale per indivisible quantity	1
Product or component type	Monolithic timer

Complementary

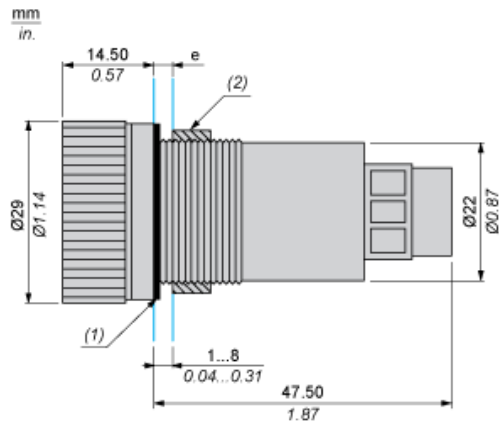
Bezel material	Plastic
Fixing collar material	Plastic
Mounting diameter	22 Mm
Thickness	6 Mm
Shape of signaling unit head	Round
Time delay range	0.5...10 min
Time delay type	A
Repeat accuracy	+/- 0.5 %
Setting accuracy of time delay	+/- 10 % of full scale at 25 °C conforming to EN/IEC 61812-1
Temperature drift	+/- 0.05 %/°C
Voltage drift	+/- 0.2 %/V
Protection type	Reverse polarity protection Overvoltage protection
Output type	Open collector PNP
Temporary permissible current	10 A for 0.01 s
Minimum switching current	10 MA
Maximum voltage drop	3 V
Network type	DC
Maximum residual current	0.1 MA
Maximum power consumption in W	1 W
Reset time	5 Ms after time delay on de-energisation 7 Ms during time delay on de-energisation
Local signalling	LED green, flashing for timing in progress LED, steady for no timing in progress and output relay energised
[Us] rated supply voltage	24 V DC
Supply voltage limits	16.8...31.2 V DC
Output short-circuit protection	With
Connections - terminals	Screw terminals 1 x 4 mm ² conforming to EN/IEC 60947-1 Screw terminals 1 x 2.5 mm ² conforming to EN/IEC 60947-1
IP degree of protection	IP65 front: conforming to IEC 60529 IP20 back: conforming to IEC 60529
Ambient air temperature for operation	-20...60 °C

Ambient air temperature for storage	-20...80 °C
Tightening torque	0.5 N.M
Dielectric strength	1500 V conforming to EN/IEC 61812-1
[Ui] rated insulation voltage	50 V conforming to EN 60947-1 50 V conforming to IEC 60664-1
[Uimp] rated impulse withstand voltage	4 KV EN 60947-1 4 KV IEC 60664-1
Surge withstand	1 KV, level 2 conforming to IEC 61000-4-5
Overvoltage category	Class 3 conforming to IEC 60536 Class 3 conforming to IEC 60664-1
Pollution degree	3
Vibration resistance	0.15 mm (f= 10...60 Hz) conforming to IEC 60068-2-6 2 gn (f= 60...150 Hz) conforming to IEC 60068-2-6
Shock resistance	+/- 15 gn for 11 ms (6 shocks on each axis) conforming to IEC 60068-2-27
Resistance to fast transients	2 KV class level 3 conforming to IEC 61000-4-4
Electromagnetic compatibility	Electrostatic discharge 6 kV level 3 conforming to IEC 61000-4-2 Electromagnetic emission class B conforming to IEC 55011
Resistance to electromagnetic fields	10 V/M 80 MHz...1 GHz level 3 conforming to IEC 61000-4-3 3 V/M 1.4...2 GHz level 3 conforming to IEC 61000-4-3 1 V/M 2...2.7 GHz level 3 conforming to IEC 61000-4-3
Immunity to radioelectric fields	10 V level 3 conforming to EN/IEC 61000-4-6
Disturbance radiated/conducted	Class B conforming to EN 50022
Standards	UL 508 EN/IEC 61812-1
Product certifications	CE UL listed
Height	62 Mm
Diameter	29 Mm
Net weight	0.027 Kg
Device presentation	Complete product

Offer Sustainability

Sustainable offer status	Green Premium product
REACH Regulation	REACH Declaration
REACH free of SVHC	Yes
EU RoHS Directive	Pro-active compliance (Product out of EU RoHS legal scope) EU RoHS Declaration
Environmental Disclosure	Product Environmental Profile
Circularity Profile	End Of Life Information
WEEE	The product must be disposed on European Union markets following specific waste collection and never end up in rubbish bins

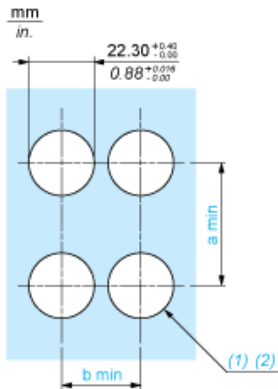
Dimensions



- (e) Clamping thickness: 1 mm to 6 mm / 0.03 in. to 0.24 in.
- (1) Sealing ring
- (2) Screw

Panel Cut-out for Analog Timer (Finished Holes, Ready for Installation)

Connection by Screw Clamp Terminals or Plug-in Connectors

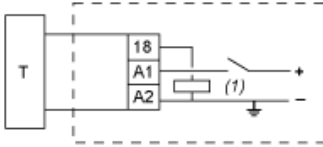


(1) Diameter on finished panel or support

(2) Ø22 mm recommended ($\text{Ø}22.3\ 0+0.4$) / Ø0.89 in. recommended ($\text{Ø}0.88\ \text{in.}\ 0^{+0.016}$)

Connections	a in mm	a in in.	b in mm	b in in.
By screw clamp terminals or plug-in connector	50	1.97	30	1.18

Wiring Diagram



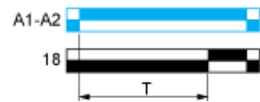
T : Timer
(1) Load
A1 - Supply (24VDC)

Function A : On Delay Timer

Description

The timing period T begins on energisation with blinking LED indication. After timing, the output (18) closes and LED goes steady

Function: Output



- De-energised
- Energised
- Output open
- Output closed
- (18) Timed output
- (A1- A2) Apply

Product Life Status :	Commercialised
-----------------------	----------------