



### Main

Range of product	Harmony XALE
Product or component type	Complete control station
Device short name	XALE
Product destination	For XB7 Ø 22 mm control and signalling units
Control station application	One function
Colour of base of enclosure	Light grey RAL 7035
Colour of cover	Light grey RAL 7035
Material	ABS (acrylonitrile butadiene-styrene)
IP degree of protection	IP54 conforming to IEC 60529
Control station composition	1 selector switch with standard handle, stay put 1 NO + 1 NC contact(s), O-I white
Marking location	Marking on legend holder
Contact operation	Slow-break

### Complementary

Cable entry	2 knock-outs, clamping capacity <= 16 mm 4 knock-outs for ISO M20
Product weight	0.105 kg
Marking	CE
Operator position information	2 positions
Positive opening	With conforming to EN/IEC 60947-5-1 appendix K
Short-circuit protection	4 A by gG cartridge fuse conforming to EN/IEC 60947-5-1
[Ui] rated insulation voltage	250 V (degree of pollution: 3) conforming to EN/IEC 60947-1
[Uimp] rated impulse withstand voltage	4 kV conforming to EN/IEC 60947-1
[Ie] rated operational current	0.1 A at 250 V DC-13, R300 conforming to EN/IEC 60947-5-1 0.22 A at 125 V DC-13, R300 conforming to EN/IEC 60947-5-1 0.3 A at 240 V AC-14, D300 conforming to EN/IEC 60947-5-1 0.6 A at 120 V AC-14, D300 conforming to EN/IEC 60947-5-1
Electrical reliability	$\Lambda \leq 10\exp(-6)$ at 17 V 5 mA conforming to IEC 60947-5-4

### Environment

Protective treatment	TC
Ambient air temperature for storage	-40...70 °C
Ambient air temperature for operation	-25...55 °C
Electrical shock protection class	Class II conforming to IEC 60536
IK degree of protection	IK05 conforming to EN 50102
Standards	EN/IEC 60947-5-5 EN/IEC 62208 EN/IEC 60947-5-1 EN/IEC 60947-1

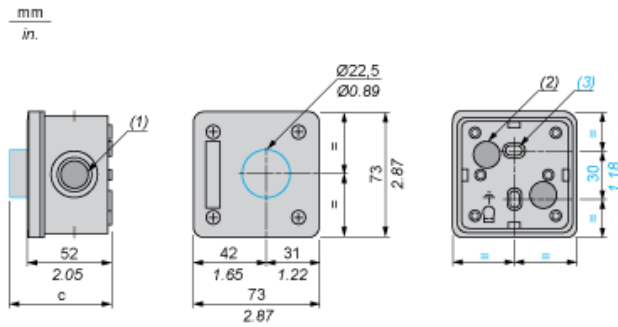
## Contractual warranty

---

Warranty period	18 months
-----------------	-----------

---

Dimensions



- (1) 4 ISO 20 knock-outs.
- (2) 2 knock-outs for cable entry, maximum capacity 16 mm / 0.63 in.
- (3) 2 knock-out elongated fixing holes  $\varnothing 3$  mm x 5 mm /  $\varnothing 0.12$  in. x 0.20 in.

Control station XALE fitted with:	c in mm	c in in.
Flush pushbutton	61	2.40
Projecting pushbutton	63	2.48
Illuminated pushbutton	66.5	2.62
Pilot light	63	2.48
Emergency stop without key	81.5	3.21
Selector switch with standard handle	76.5	3.01
Key switch	92	3.62

Product Life Status : **Commercialised**