



## Main

Range of product	Lexium Altivar
Product or component type	Braking resistor
Range compatibility	Lexium 32i Lexium 32 Lexium 05 Lexium 15 Lexium 52 Altivar Machine ATV320 Altivar 32 Lexium 16D
Product compatibility	ATV32HU11M2 ATV32HU15M2 Variable speed drive ATV320 at 1.1 kW, 200...240 V, single phase Variable speed drive ATV320 at 1.5 kW, 200...240 V, single phase Motion servo drive LXM16D at 0.1 kW, 200...230 V, single phase Motion servo drive LXM16D at 0.2 kW, 200...230 V, single phase Motion servo drive LXM16D at 0.4 kW, 200...230 V, single phase Motion servo drive LXM16D at 0.75 kW, 200...230 V, single phase Motion servo drive LXM16D at 1 kW, 200...230 V, single phase Motion servo drive LXM16D at 1.5 kW, 200...230 V, single phase
Ohmic value	72 Ohm
Continuous power	100 W
Average power available	25 W at 50 °C
Cable length	3 M

## Complementary

Energy peak	2300 J at 480 V 2500 J at 400 V 3700 J at 230 V 5500 J at 115 V
Protection type	Thermal protection via the servo drive
Net weight	0.85 Kg

## Environment

Ambient air temperature for operation	0...50 °C
Ambient air temperature for storage	-25...85 °C
IP degree of protection	IP65
IP degree of protection	IP65

The information provided in this documentation contains general descriptions and/or technical characteristics of the performance of the products contained herein. This documentation is not intended as a substitute for and is not to be used for determining suitability or reliability of these products for specific user applications. It is the duty of any such user or integrator to perform the appropriate and complete risk analysis, evaluation and testing of the products with respect to the relevant specific application or use thereof. Neither Schneider Electric Industries SAS nor any of its affiliates or subsidiaries shall be responsible or liable for misuse of the information contained herein.

## Offer Sustainability

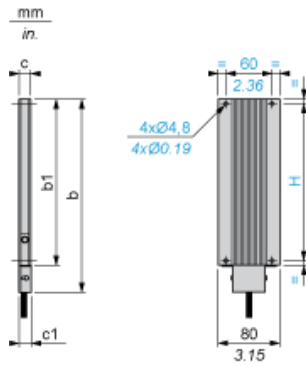
EU RoHS Directive	Pro-active compliance (Product out of EU RoHS legal scope) <a href="#">EU RoHS Declaration</a>
Mercury free	Yes
RoHS exemption information	<a href="#">Yes</a>
China RoHS Regulation	<a href="#">China RoHS Declaration</a>

## Contractual warranty

Warranty	18 months
----------	-----------

Braking Resistor

Dimensions



Dimensions in mm

b	b1	c	c1	H
145	110	15	15.5	98

Dimensions in in.

b	b1	c	c1	H
5.70	4.33	0.59	0.61	3.85

Product Life Status : **Commercialised**