



### Main

Product or component type	Passive filter
Product specific application	Reduction of current harmonics

### Complementary


Range compatibility	Altivar 71 Altivar 61 Altivar Process ATV600 Altivar Process ATV900
[Us] rated supply voltage	480 V (+/- 10 %)
Supply frequency	60 Hz (tolerance: +/- 2 %)
Quantity per drive	2 filters per drive for variable speed drive ATV61H motor: 355 kW 2 filters per drive for variable speed drive ATV71H motor: 355 kW 2 filters per drive for variable speed drive ATV61Q motor: 355 kW 2 filters per drive for variable speed drive ATV71Q motor: 355 kW 1 filter per drive for variable speed drive ATV630 wall mount, motor: 160 kW / 250 hp 1 filter per drive for variable speed drive ATV930 wall mount, motor: 160 kW / 250 hp
[In] rated current	291 A for input 302 A for output
Network number of phases	3 phases
THDI	5 % for variable speed drive ATV61H motor: 355 kW 5 % for variable speed drive ATV71H motor: 355 kW 5 % for variable speed drive ATV61Q motor: 355 kW 5 % for variable speed drive ATV71Q motor: 355 kW 5 % for variable speed drive ATV630 motor: 160 kW / 250 hp 5 % for variable speed drive ATV930 motor: 160 kW / 250 hp
Max current	1.5 x nominal current (duration = 60 s)
Efficiency	<= 98 %
Thermal losses	1288 W
Cos phi	1 at 150 % of line current 0.85 at 75 % of line current 0.99 at 100 % of line current
Electrical connection	A, B terminal, connection capacity: 2.5 mm <sup>2</sup> X1-1...X2-3 terminal, connection capacity: 25...300 mm <sup>2</sup>
Electrical insulation class	Class F
Product weight	221 kg

The information provided in this documentation contains general descriptions and/or technical characteristics of the performance of the products contained herein. This documentation is not intended as a substitute for and is not to be used for determining suitability or reliability of these products for specific user applications. It is the duty of any such user or integrator to perform the appropriate and complete risk analysis, evaluation and testing of the products with respect to the relevant specific application or use thereof. Neither Schneider Electric Industries SAS nor any of its affiliates or subsidiaries shall be responsible or liable for misuse of the information contained herein.

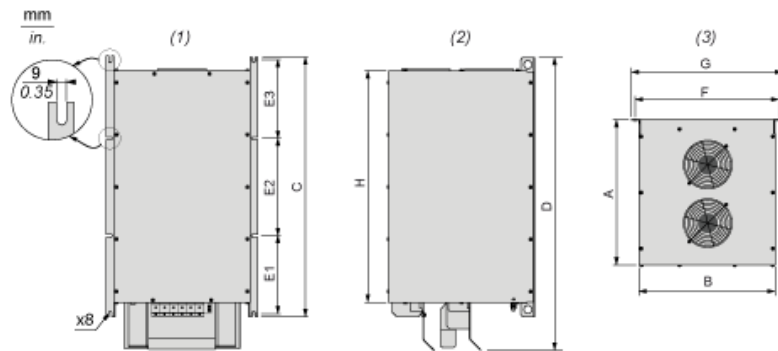
## Environment

IP degree of protection	IP55 (enclosure mounting) IP20
Vibration resistance	2 mm peak to peak (f = 5...13.2 Hz) conforming to EN 60068-2-6 0.7 gn (f = 13.2...150 Hz) conforming to EN 60068-2-6
Relative humidity	5...85 % without condensation
Ambient air temperature for operation	> 45...60 °C with current derating 3 % per °C 5...45 °C without current derating
Ambient air temperature for storage	> -25...55 °C storage in original packaging > -25...65 °C during transport
Operating altitude	<= 1000 m without current derating > 1000...4000 m with current derating 5 % per 1000 m
Standards	G5/4 engineering recommendation EN/IEC 61000-3-4 EN/IEC 61000-2-2 EN/IEC 61000-3-12 EN/IEC 61000-3-2 EN/IEC 61000-2-4

## Offer Sustainability

RoHS (date code: YYWW)	Compliant - since 1329 - Schneider Electric declaration of conformity  <a href="#">Schneider Electric declaration of conformity</a>
------------------------	--

Dimensions



- (1) Front view
- (2) Right side view
- (3) Top view

Dimensions in mm

A	B	C	D	E1	E2	E3	F	G	H
510	420	800	900.06	240	300	240	443	468	713

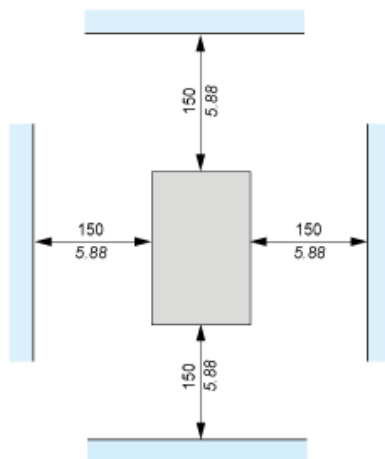
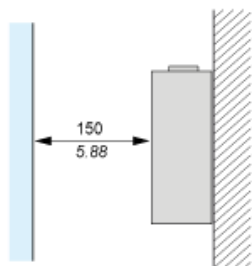
Dimensions in in.

A	B	C	D	E1	E2	E3	F	G	H
20.00	16.54	31.50	35.43	9.45	11.81	9.45	17.44	18.43	28.07

Mounting Recommendations

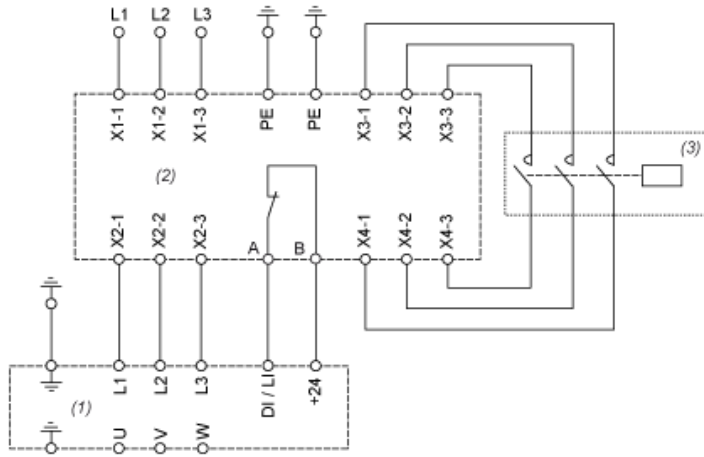
Vertical Mounting Only

mm  
in.



(1) Filter

Recommended Schema



- (1) Drive
- (2) Filter
- (3) Optional

Product Life Status : **Commercialised**