



Main

Range of product	Zelio Relay
Product or component type	Solid state relay
Device short name	SSLM
Network number of phases	1 phase

Complementary

Mounting support	Symmetrical DIN rail
[In] rated current	3 A
Output voltage	5...60 V DC
[Uc] control circuit voltage	4...28 V DC
Contacts type and composition	1 NO
Tightening torque	0.6...0.8 N.m
Connections - terminals	Screw terminals, clamping capacity: 1 x 0.2...1 x 5.26 mm ² (AWG 24...AWG 10)
Switching voltage	4 V DC turn-on
Load current	0...3 A
Maximum voltage drop	<1 V on-state
Maximum leakage current	0.001 MA off-state
Response time	50 µs (turn-on) 100 µs (turn-off)
Overvoltage category	III
Width	7.5 Mm
Height	80 Mm
Depth	63 Mm
Net weight	0.03 Kg

Environment

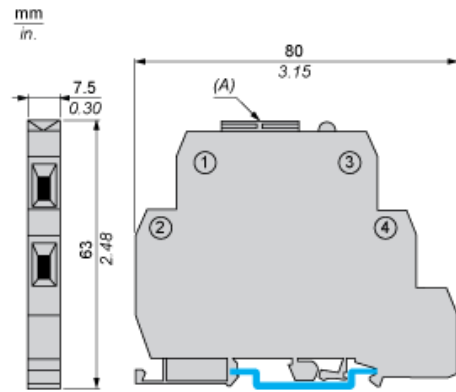
Dielectric strength	4000 V for input/output
Pollution degree	2
Product certifications	EAC UL CSA
Marking	EAC CE CSA UL
Ambient air temperature for operation	0...70 °C

The information provided in this documentation contains general descriptions and/or technical characteristics of the performance of the products contained herein. This documentation is not intended as a substitute for and is not to be used for determining suitability or reliability of these products for specific user applications. It is the duty of any such user or integrator to perform the appropriate and complete risk analysis, evaluation and testing of the products with respect to the relevant specific application or use thereof. Neither Schneider Electric Industries SAS nor any of its affiliates or subsidiaries shall be responsible or liable for misuse of the information contained herein.

Offer Sustainability

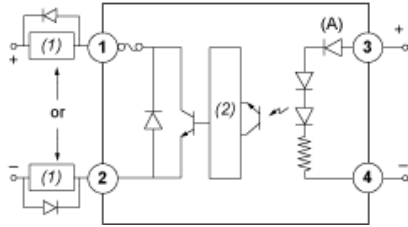
Sustainable offer status	Green Premium product
REACH Regulation	REACH Declaration
EU RoHS Directive	Pro-active compliance (Product out of EU RoHS legal scope) EU RoHS Declaration
Mercury free	Yes
RoHS exemption information	Yes
China RoHS Regulation	China RoHS Declaration
Environmental Disclosure	Product Environmental Profile
Circularity Profile	End Of Life Information

Dimensions



(A) Fuse Holder

Wiring Diagram



- 1,2 : Field VDC (Supply through Load)
- 3, 4 : Vcc
- (1) Load
- (2) Amplifier
- (A) LED

Product Life Status : **Commercialised**