



### Main

Range of product	Zelio Relay
Series name	Interface relay
Product or component type	Plug-in relay
Device short name	RXG
Contacts type and composition	2 C/O

### Complementary

Status LED	With
Contacts material	Silver alloy (AgSnO <sub>2</sub> In <sub>2</sub> O <sub>3</sub> )
Contact resistance	100 mOhm
[I <sub>th</sub> ] conventional enclosed thermal current	5 A
[I <sub>e</sub> ] rated operational current	5 A at 30 V DC conforming to UL 5 A at 30 V DC conforming to IEC 5 A at 250 V AC conforming to IEC 5 A at 250 V AC conforming to UL
Maximum switching voltage	250 V
Load current	5 A
Maximum switching capacity	1250 VA AC 150 W DC
Minimum switching capacity	50 mW at 10 mA, 5 V DC
Operating rate	<= 18000 cycles/hour no-load <= 1800 cycles/hour under load
Utilisation coefficient	20 %
Mechanical durability	10000000 cycles
Electrical durability	100000 cycles resistive load
[U <sub>i</sub> ] rated insulation voltage	250 V conforming to IEC
[U <sub>imp</sub> ] rated impulse withstand voltage	6 kV for 1.2/50 µs between coil and contact 1.2 kV for 1.2/50 µs between contacts 2.5 kV for 1.2/50 µs between terminals and LTB area 1.5 kV for 1.2/50 µs between terminals and base 4 kV for 1.2/50 µs between poles
Dielectric strength	5000 V AC (reinforced insulation between coil and contact) 3000 V AC (basic insulation between poles) 1000 V AC (micro disconnection between contacts) 1300 V (basic insulation between terminals and base) 3000 V (basic insulation between terminals and LTB area)
Resistance	23500 Ohm +/- 15 %
Insulation resistance	1000 MOhm at 500 V DC
Test levels	Level A group mounting

Mounting position	Any position
Average coil consumption	0.96 VA, AC 50...60 Hz
Drop-out voltage threshold	>= 0.3 Uc AC
Electrical insulation class	Class F
Operating time	20 ms
Reset time	20 ms
[Uc] control circuit voltage	230 V AC
Safety reliability data	B10d = 100000
Colour of cover	Transparent
Control type	Lockable test button
Product weight	0.065 kg
Device presentation	Complete product

## Environment

Vibration resistance	3 gn (f = 10...150 Hz), amplitude +/- 1.5 mm (in operation) 5 gn (f = 10...150 Hz), amplitude +/- 1.5 mm (not in operation)
IP degree of protection	IP20
Shock resistance	20 gn in operation 100 gn not in operation
Protection category	RT I
Standards	UL 508 IEC 61810-1 IEC 61984 CSA C22.2 No 14
Product certifications	EAC CE CSA RoHS China RoHS REACH UL
Pollution degree	2
Overvoltage category	III
Ambient air temperature for storage	-40...85 °C
Ambient air temperature for operation	-40...70 °C
Relative humidity	10...85 %
Torque value	7 lbf.in 0.8 N.m
Connections - terminals	Connector, clamping capacity: 1 x 0.25...1 x 2.5 mm <sup>2</sup> , AWG 22...AWG 14 flexible-with cable end Connector, clamping capacity: 2 x 0.25...2 x 1 mm <sup>2</sup> , AWG 22...AWG 17 flexible-with cable end Connector, clamping capacity: 1 x 0.5...1 x 2.5 mm <sup>2</sup> , AWG 20...AWG 14 solid-without cable end Connector, clamping capacity: 2 x 0.5...2 x 1.5 mm <sup>2</sup> , AWG 20...AWG 16 solid-without cable end

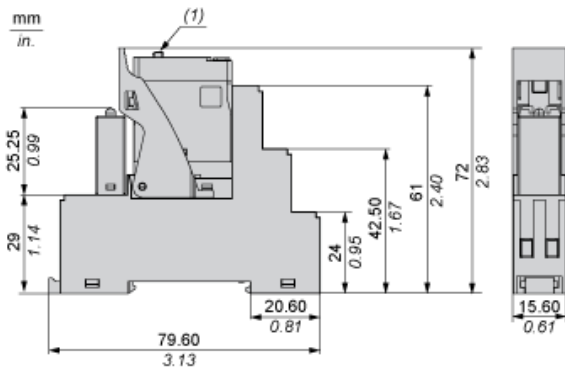
## Offer Sustainability

Sustainable offer status	Green Premium product
RoHS (date code: YYWW)	Compliant - since 1831 - Schneider Electric declaration of conformity <a href="#">Schneider Electric declaration of conformity</a>
REACH	Reference not containing SVHC above the threshold
Product environmental profile	Available <a href="#">Product Environmental Profile</a>
Product end of life instructions	Need no specific recycling operations

## Contractual warranty

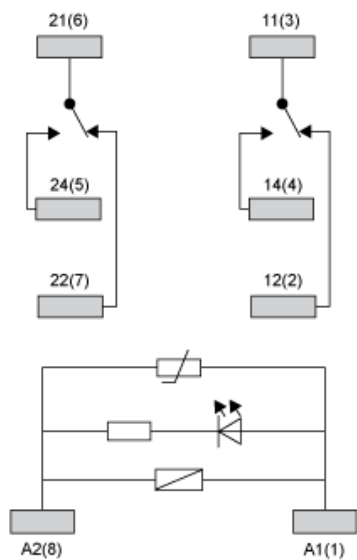
Warranty period	18 months
-----------------	-----------

Dimensions



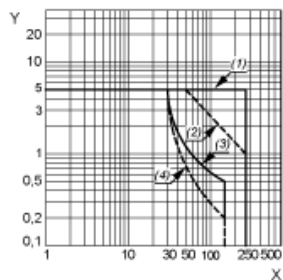
(1) Push button (if any)

## Wiring Diagram



Performance Curves

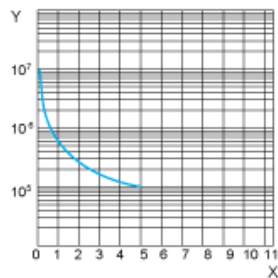
Maximum Switching Capacity



- X : Switching voltage (V)
- Y : Switching current (A)
- (1) AC Resistive Load
- (2) AC Inductive Load  $\cos(\phi)=0.4$
- (3) DC Resistive Load
- (4) DC Inductive Load (L/R=7ms)

Life Expectancy

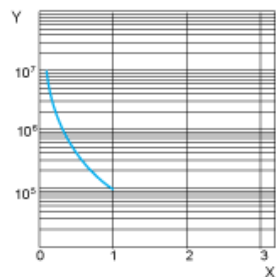
Resistive Load



- X : Contact Current (A)
- Y : Operating Cycle Number

Life Expectancy

Inductive Load

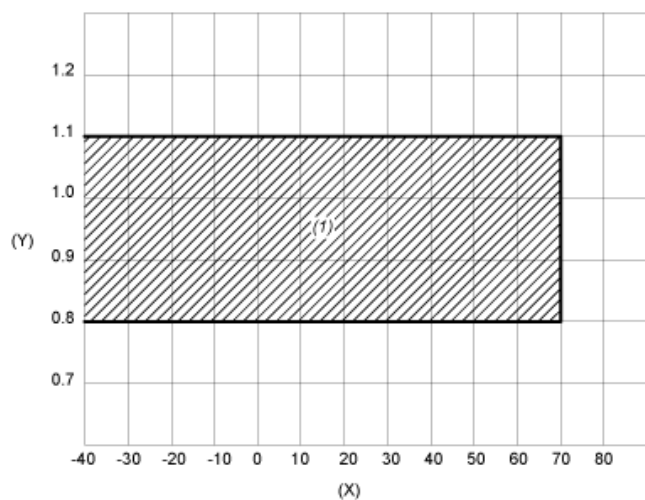


- X : Contact Current (A)
- Y : Operating Cycle Number

NOTE: These are typical curves, actual durability depends on load, environment, duty cycle, etc.

Coil Operating Range

## AC Coil Operating Range VS Ambient Temperature



- X : Ambient temperature (°C)
- Y : Coil voltage (U/Uc)
- (1) Permitted operating range area

Product Life Status : **Commercialised**