


Main

Range of product	Lexium PAS E
Product or component type	Portal axis
Product specific application	For 1 direction
Load position	On carriage
Drive type	Toothed belt
Guide type	Ball

Complementary

Operating position	Horizontal
Permanent permissible load	25 kg
Distance per revolution	205 mm
Operating force	<= 1100 N for Fx <= 4410 N for Fy <= 4410 N for Fz
Maximum actuation speed	2 m/s
Maximum acceleration	15 m/s ²
Drive torque	<= 4 N.m
Torque value	<= 5 N.m for Mx <= 11 N.m for My <= 17 N.m for Mz
Operating travel	1950 mm
Product weight	18 kg at 0 stroke with carriage and motor 2.1 kg of carriage 48.4 kg total
Repeat accuracy	+/- 0.05 mm
Outer dimension	80 x 80 mm
Mechanical service life	30000 km
Associated module	BMH1002P06A2A servo motor (supplied) PLE80 planetary gearbox, reduction ratio: 5:1 (supplied) LXM32.D18N4 servo drive (not supplied)

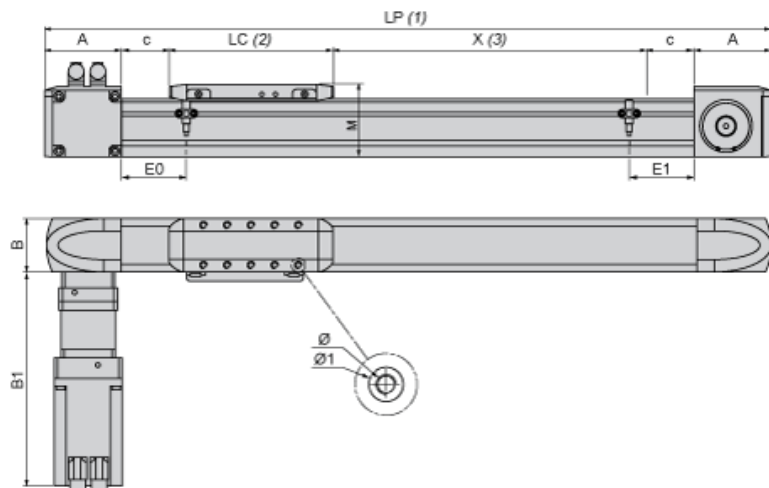
Offer Sustainability

RoHS (date code: YYWW)	Compliant - since 1501 - Schneider Electric declaration of conformity 
REACH	Reference not containing SVHC above the threshold

Contractual warranty

Warranty period	18 months
-----------------	-----------

Size Characteristics

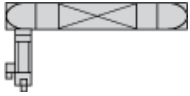


- (1) LP : total length of axis
- (2) LC : length of carriage
- (3) X : Stroke, refer to product characteristics.

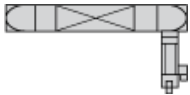
A	mm	110
in.	4.33	
B	mm	80
in.	3.15	
B1	mm	322
in.	12.68	
c	mm	25
in.	0.98	
E0	mm	62
in.	2.44	
E1	mm	62
in.	2.44	
LC	mm	244
in.	9.61	
LP	mm	= 270 + LC + X
in.	= 10.63 + LC + X	
M	mm	100
in.	3.94	
Ø	mm	M6 X 14
in.	M6 X 0.55	
Ø1	mm	10 ^{H7} X 2.1
in.	10 ^{H7} X 0.08	

Servo Motor Mounting

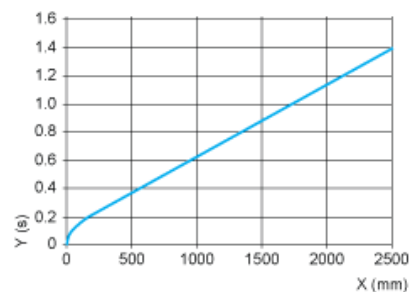
Standard servo motor mounting



Servo motor mounted on the left

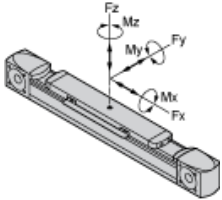


Axis Positioning Time as a Function of the Stroke



X : Stroke
Y : Positioning time

Forces and Torques Exerted on the Lexium PAS E Portal Axis



Product Life Status :	Commercialised
-----------------------	----------------