




Main

Range of product	Lexium PAS E
Product or component type	Portal axis
Product specific application	For 1 direction
Load position	On carriage
Drive type	Toothed belt
Guide type	Roller

Complementary

Operating position	Horizontal
Permanent permissible load	8.82 lb(US) (4 kg)
Distance per revolution	3.31 in (84 mm)
Operating force	<= 300 N for Fx <= 660 N for Fy <= 430 N for Fz
Maximum actuation speed	6.56 ft/s (2 m/s)
Maximum acceleration	49.21 ft/s ² (15 m/s ²)
Drive torque	<= 4 N.m
Torque value	<= 5 N.m for Mx <= 11 N.m for My <= 17 N.m for Mz
Operating travel	94.49 in (2400 mm)
Product weight	7.94 lb(US) (3.6 kg) at 0 stroke with carriage and motor 1.1 lb(US) (0.5 kg) of carriage 53.35 lb(US) (24.2 kg) total
Repeat accuracy	+/- 0.05 mm
Outer dimension	40 x 40 mm
Mechanical service life	30000 km
Associated module	BSH0552P01A2A servo motor (supplied) PLE40 planetary gearbox, reduction ratio: 3:1 (supplied) LXM32.U60N4 servo drive (not supplied)

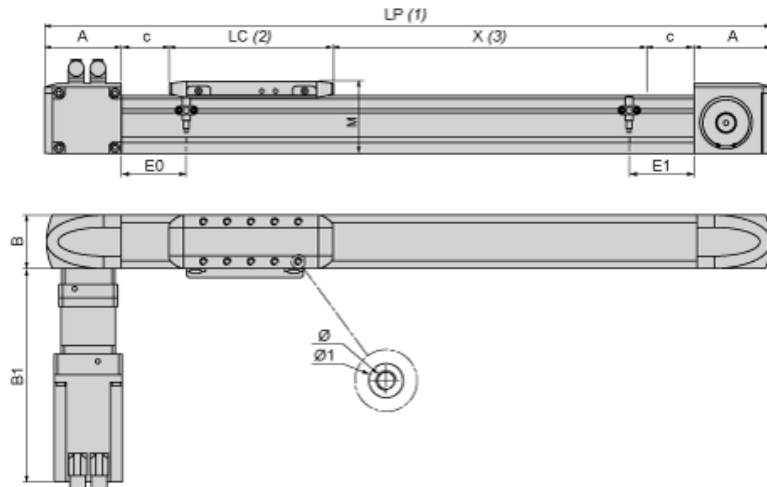
Offer Sustainability

RoHS (date code: YYWW)	Compliant - since 1501 - Schneider Electric declaration of conformity  Schneider-Electric declaration of conformity
REACH	Reference not containing SVHC above the threshold
California proposition 65	WARNING: This product can expose you to chemicals including:
----- Substance 1	Lead and lead compounds, which is known to the State of California to cause cancer and birth defects or other reproductive harm.
----- More information	For more information go to www.p65warnings.ca.gov

Contractual warranty

Warranty period	18 months
-----------------	-----------

Size Characteristics



- (1) LP : total length of axis
- (2) LC : length of carriage
- (3) X : Stroke, refer to product characteristics.

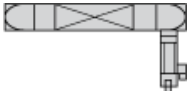
A	mm	53.5
in.		2.11
B	mm	40
in.		1.57
B1	mm	258
in.		10.16
c	mm	10
in.		0.39
E0	mm	25
in.		0.98
E1	mm	25
in.		0.98
LC	mm	200
in.		7.87
LP	mm	= 127 + LC + X
in.		= 5.00 + LC + X
M	mm	55
in.		2.16
Ø	mm	M5 X 12
in.		M5 X 0.47
Ø1	mm	8 ^{H7} X 2.1
in.		8 ^{H7} X 0.08

Servo Motor Mounting

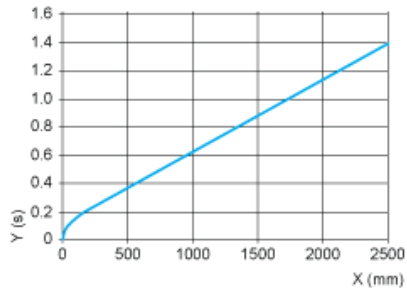
Standard servo motor mounting



Servo motor mounted on the left

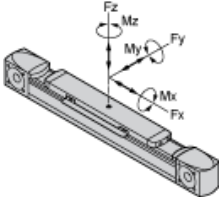


Axis Positioning Time as a Function of the Stroke



X : Stroke
Y : Positioning time

Forces and Torques Exerted on the Lexium PAS E Portal Axis



Product Life Status : Commercialised