


Main

Range of product	Lexium PAS E
Product or component type	Portal axis
Product specific application	For 1 direction
Load position	On carriage
Drive type	Toothed belt
Guide type	Roller

Complementary

Operating position	Horizontal
Permanent permissible load	4 kg
Distance per revolution	84 mm
Operating force	<= 300 N for Fx <= 660 N for Fy <= 430 N for Fz
Maximum actuation speed	2 m/s
Maximum acceleration	15 m/s ²
Drive torque	<= 4 N.m
Torque value	<= 5 N.m for Mx <= 11 N.m for My <= 17 N.m for Mz
Operating travel	1750 mm
Product weight	3.6 kg at 0 stroke with carriage and motor 0.5 kg of carriage 19.1 kg total
Repeat accuracy	+/- 0.05 mm
Outer dimension	40 x 40 mm
Mechanical service life	30000 km
Associated module	BSH0552P01A2A servo motor (supplied) PLE40 planetary gearbox, reduction ratio: 3:1 (supplied) LXM32.U60N4 servo drive (not supplied)

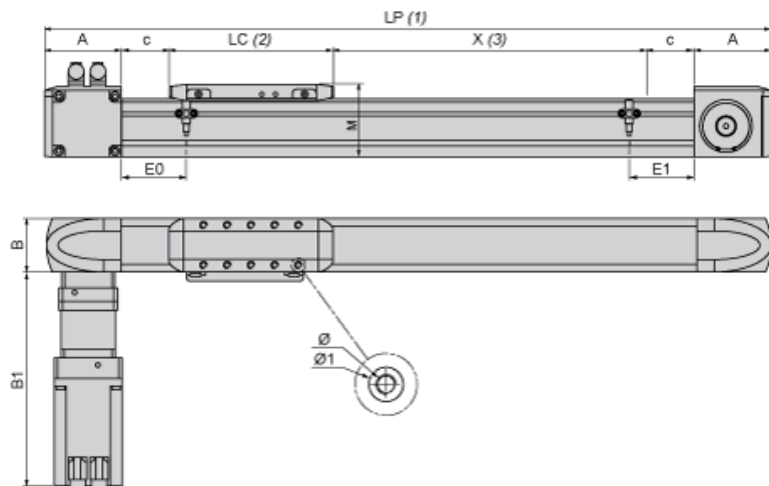
Offer Sustainability

RoHS (date code: YYWW)	Compliant - since 1501 - Schneider Electric declaration of conformity 
REACH	Reference not containing SVHC above the threshold

Contractual warranty

Warranty period	18 months
-----------------	-----------

Size Characteristics

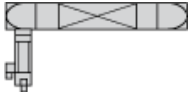


- (1) LP : total length of axis
- (2) LC : length of carriage
- (3) X : Stroke, refer to product characteristics.

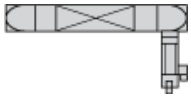
A	mm	53.5
in.	2.11	
B	mm	40
in.	1.57	
B1	mm	258
in.	10.16	
c	mm	10
in.	0.39	
E0	mm	25
in.	0.98	
E1	mm	25
in.	0.98	
LC	mm	200
in.	7.87	
LP	mm	= 127 + LC + X
in.	= 5.00 + LC + X	
M	mm	55
in.	2.16	
Ø	mm	M5 X 12
in.	M5 X 0.47	
Ø1	mm	8 ^{H7} X 2.1
in.	8 ^{H7} X 0.08	

Servo Motor Mounting

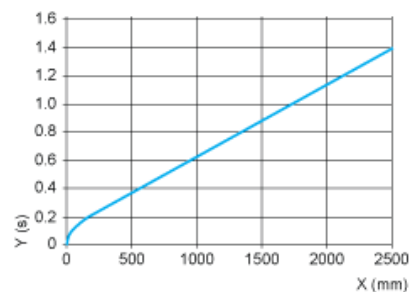
Standard servo motor mounting



Servo motor mounted on the left

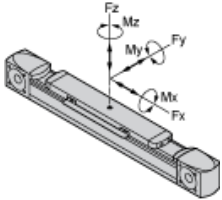


Axis Positioning Time as a Function of the Stroke



X : Stroke
Y : Positioning time

Forces and Torques Exerted on the Lexium PAS E Portal Axis



Product Life Status :	Commercialised
-----------------------	----------------