

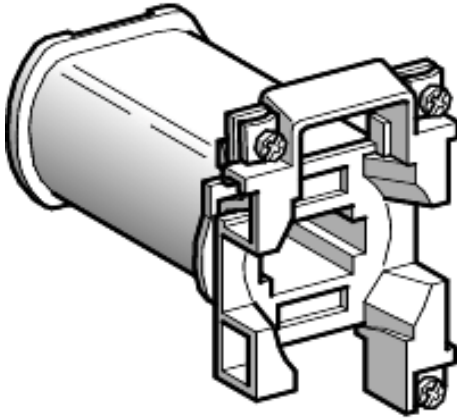
Product data sheet

Characteristics

LX4D2SW

Obs _Repl cntrl rly-contactor w/ TeSys

Price*: 79.00 USD



Commercial status

This Product is Obsolete :

 This Product is Obsolete

Ordering and shipping details

Category	18402 - WORLD SERVICE PARTS(CONTROL ACCESS)
Discount Schedule	CP10
Nbr. of units in pkg.	1
Package weight(Lbs)	0.52000000000000002
Returnability	N

Contractual warranty

Warranty period	18 months
-----------------	-----------

Product Life Status : **End of commercialisation**

The information provided in this documentation contains general descriptions and/or technical characteristics of the performance of the products contained herein. This documentation is not intended as a substitute for and is not to be used for determining suitability or reliability of these products for specific user applications. It is the duty of any such user or integrator to perform the appropriate and complete risk analysis, evaluation and testing of the products with respect to the relevant specific application or use thereof. Neither Schneider Electric Industries SAS nor any of its affiliates or subsidiaries shall be responsible or liable for misuse of the information contained herein. *Prices are indicative