



Commercial status

End of Commercialisation : JUN 30, 2016

 End of Commercialisation

Main

Range of product	Magelis iPC
Product or component type	PC panel
Terminal type	Touchscreen display
Processor name	Atom Z510 1.1 GHz cache
Chipset type	Intel US15W at 400 MHz
Data storage equipment	Compact Flash card 4 GB with SLC
Number of slots available for expansion	1 slot(s) for Compact Flash card 1 slot(s) for SD card
Display size	10.4 inch
Display type	Active matrix colour TFT LCD with LED backlight
Display resolution	800 x 600 pixels SVGA
Display colour	16 million colours

Complementary

Luminance	450 Cd/M ²
View angle horizontal x vertical	160 x 120°
Touch panel	Analogue resistive
Memory type	512 kB SRAM 2 GB RAM DDR2
Video controller type	Intel Graphics Media Accelerator (GMA) 500, 256 MB
Integrated connection type	2 Ethernet TCP/IP - RJ45 10BASE-T/100BASE-T/1000BASE-T COM1 serial link - male SUB-D 9 - RS232C - 115 kbauds USB 2.0 port - USB type A - 480 Mbit/s front panel 2 USB 2.0 port - USB type A - 480 Mbit/s top
Operating system	Windows Embedded Standard WES2009 - English Windows Embedded Standard WES2009 - French Windows Embedded Standard WES2009 - German Windows Embedded Standard WES2009 - Italian Windows Embedded Standard WES2009 - Spanish Windows Embedded Standard WES2009 - Swedish Windows Embedded Standard WES2009 - Chinese Windows Embedded Standard WES2009 - Portuguese Windows Embedded Standard WES2009 - Russian
Software package	Adobe PDF and multimedia reader Vijeo Citect web client Internet Explorer Viewer Word/Excel/Power Point .NET Framework 3.5 Vijeo Designer run time demo
[Us] rated supply voltage	24 V DC (power supply)
Supply voltage limits	18...30 V

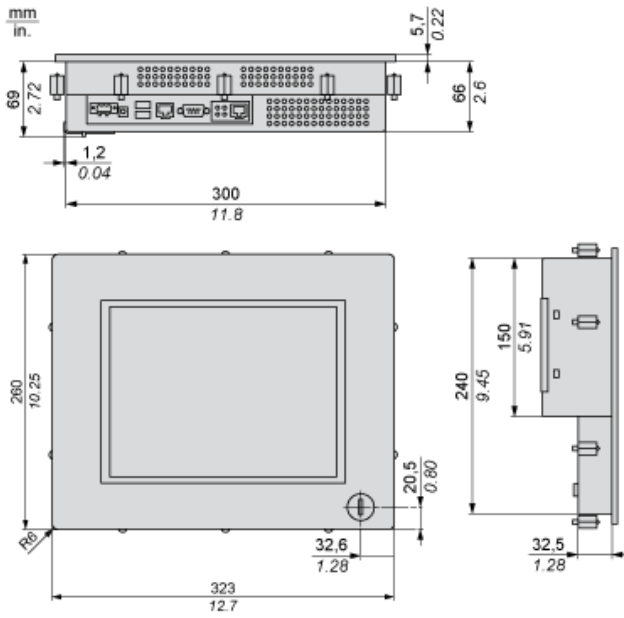
The information provided in this documentation contains general descriptions and/or technical characteristics of the performance of the products contained herein. This documentation is not intended as a substitute for and is not to be used for determining suitability or reliability of these products for specific user applications. It is the duty of any such user or integrator to perform the appropriate and complete risk analysis, evaluation and testing of the products with respect to the relevant specific application or use thereof. Neither Schneider Electric Industries SAS nor any of its affiliates or subsidiaries shall be responsible or liable for misuse of the information contained herein.

[In] rated current	1.875 A
Inrush current	3 A
Power consumption in W	36 W
Bezel material	Aluminium alloy
Enclosure material	Treated steel
Display material	Polyethylene sheet
Fixing mode	Enclosure door: by fixing kit (fasteners included) Panel: by fixing kit (fasteners included)
Control type	ON/OFF push-button (equipment ON and OFF) Push-button (reset)
Local signalling	Accessing CF system card (DISK): LED (yellow) Power: multi-colour LED (-)
Width	323 Mm
Height	260 Mm
Depth	72 Mm
Net weight	4.39 Kg

Environment

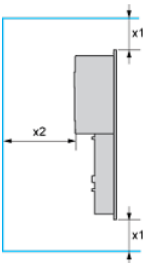
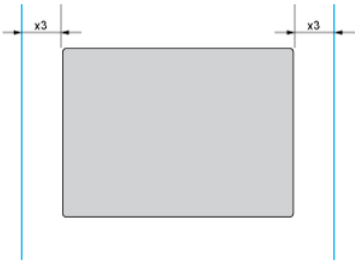
IP degree of protection	IP65 (front panel (indoor use)) conforming to EN/IEC 61131-2
NEMA degree of protection	NEMA 4X front panel (indoor use)
Product certifications	CULus 508 CULus CSA 22-2 No 142 CULus HazLoc Class I Division 2 UL 1604 CULus HazLoc Class I Division 2 ANSI/ISA 12-12-01 CULus HazLoc Class I Division 2 CSA 22-2 No 213 CE C-Tick REACH RoHS GOST
Pollution degree	2 conforming to EN/IEC 61131-2
Electromagnetic compatibility	Immunity to high frequency interference conforming to EN/IEC 61131-2 Immunity to high frequency interference conforming to EN/IEC 61000-4-x Immunity to electromagnetic emissions conforming to EN 55022 class A Immunity to electromagnetic emissions conforming to EN 55011 class A
Ambient air temperature for operation	0...50 °C vertical installation conforming to EN/IEC 61131-2 0...50 °C vertical installation conforming to UL 508
Ambient air temperature for storage	-20...60 °C conforming to IEC 60068-2-2 test Bb -20...60 °C conforming to IEC 60068-2-14 test Na
Relative humidity	10...85 % conforming to EN/IEC 60068-2-30 Db 10...85 % conforming to EN/IEC 60068-2-78
Operating altitude	2000 m conforming to EN/IEC 61131-2
Vibration resistance	1.75 mm (f = 2...9 Hz)continuous conforming to EN/IEC 60068-2-6 Fc 3.5 mm (f = 2...9 Hz)intermittently conforming to EN/IEC 60068-2-6 Fc 0.5 gn (f = 9...200 Hz)continuous conforming to EN/IEC 60068-2-6 Fc 1 gn (f = 9...200 Hz)intermittently conforming to EN/IEC 60068-2-6 Fc 1 mm (f = 3...13.2 Hz)continuous conforming to EN/IEC 60068-2-6 Fc 0.7 gn (f = 13.2...100 Hz)continuous conforming to EN/IEC 60068-2-6 Fc
Shock resistance	15 gn for 11 ms conforming to IEC 60068-2-27, Ea tests

Dimensions



Mounting Information

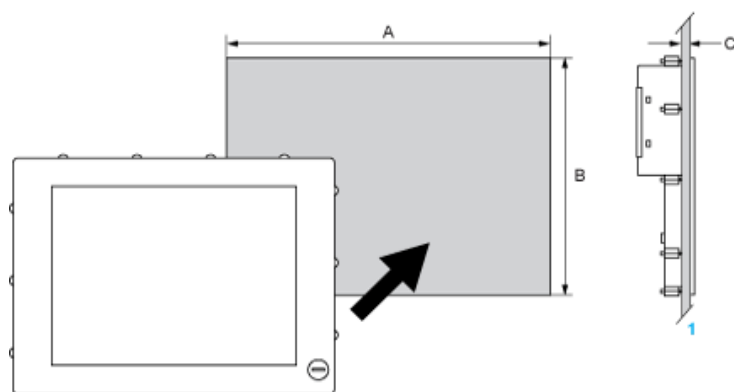
Spacing Requirements

Side View	Rear View
	
<p>x1 > 100 mm (> 3.93 in.) x2 > 50 mm (> 1.96 in.) x3 > 10 mm (> 0.39 in.)</p>	

Mounting Orientation



Panel Cut Dimensions



1 Installation panel

A	B	C
303 ± 0.5 mm (11.85 ± 0.02 in.)	243 ± 0.5 mm (9.49 ± 0.02 in.)	1.6...10 mm (0.06...0.39 in.)

Product Life Status : **End of commercialisation**

HMIPWC5D0E01A may be replaced by any of the following products:



HMIPSOC552D1W01

S-Panel PC Optimized CFast W10 DC WES

Qty 1

Reason for Substitution: End of life | Substitution date: 01 Nov 2016 |
