



Main

Product or component type	Servo motor
Device short name	BMH
Maximum mechanical speed	4000 rpm
Continuous stall torque	37.4 N.m for LXM32.D72N4 24 A at 400 V three phase 37.4 N.m for LXM32.D72N4 24 A at 480 V three phase 48 N.m for LXM32MD85N4 32 A at 400 V three phase 48 N.m for LXM32MD85N4 32 A at 480 V three phase 48 N.m for LXM32MC10N4 40 A at 400 V three phase 48 N.m for LXM32MC10N4 40 A at 480 V three phase
Peak stall torque	101 N.m for LXM32.D72N4 24 A at 400 V three phase 101 N.m for LXM32.D72N4 24 A at 480 V three phase 115.5 N.m for LXM32MD85N4 32 A at 400 V three phase 115.5 N.m for LXM32MD85N4 32 A at 480 V three phase 130.7 N.m for LXM32MC10N4 40 A at 400 V three phase 130.7 N.m for LXM32MC10N4 40 A at 480 V three phase
Nominal output power	5900 W for LXM32.D72N4 24 A at 400 V three phase 5900 W for LXM32.D72N4 24 A at 480 V three phase 6070 W for LXM32MD85N4 32 A at 400 V three phase 6070 W for LXM32MD85N4 32 A at 480 V three phase 6070 W for LXM32MC10N4 40 A at 400 V three phase 6070 W for LXM32MC10N4 40 A at 480 V three phase
Nominal torque	22.3 N.m for LXM32.D72N4 24 A at 400 V three phase 22.3 N.m for LXM32.D72N4 24 A at 480 V three phase 29 N.m for LXM32MD85N4 32 A at 400 V three phase 29 N.m for LXM32MD85N4 32 A at 480 V three phase 29 N.m for LXM32MC10N4 40 A at 400 V three phase 29 N.m for LXM32MC10N4 40 A at 480 V three phase
Nominal speed	2500 rpm for LXM32.D72N4 24 A at 400 V three phase 2500 rpm for LXM32.D72N4 24 A at 480 V three phase 2000 rpm for LXM32MC10N4 40 A at 400 V three phase 2000 rpm for LXM32MC10N4 40 A at 480 V three phase 2000 rpm for LXM32MD85N4 32 A at 400 V three phase 2000 rpm for LXM32MD85N4 32 A at 480 V three phase
Product compatibility	LXM32.D72N4 at 400...480 V three phase
Shaft end	Keyed
IP degree of protection	IP65 (standard) IP67 (with IP67 kit)
Speed feedback resolution	32768 points/turn
Holding brake	With
Mounting support	International standard flange
Electrical connection	Rotatable right-angled connectors

The information provided in this documentation contains general descriptions and/or technical characteristics of the performance of the products contained herein. This documentation is not intended as a substitute for and is not to be used for determining suitability or reliability of these products for specific user applications. It is the duty of any such user or integrator to perform the appropriate and complete risk analysis, evaluation and testing of the products with respect to the relevant specific application or use thereof. Neither Schneider Electric Industries SAS nor any of its affiliates or subsidiaries shall be responsible or liable for misuse of the information contained herein.

Complementary

Range compatibility	Lexium 32
[Us] rated supply voltage	480 V
Network number of phases	Three phase
Continuous stall current	30.8 A
Continuous power	6.1 W
Maximum current Irms	72 A for LXM32.D72N4
Maximum permanent current	114 A
Second shaft	Without second shaft end
Shaft diameter	38 mm
Shaft length	80 mm
Key width	70 mm
Feedback type	Single turn SinCos Hiperface
Holding torque	80 N.m (holding brake)
Motor flange size	190 mm
Number of motor stacks	2
Torque constant	1.56 N.m/A at 120 °C
Back emf constant	108.3 V/krpm at 120 °C
Number of motor poles	10
Rotor inertia	144.8 kg.cm ²
Stator resistance	0.15 Ohm at 20 °C
Stator inductance	3.86 mH at 20 °C
Stator electrical time constant	25.7 ms at 20 °C
Maximum radial force Fr	4200 N at 1000 rpm
Maximum axial force Fa	0.2 x Fr
Brake pull-in power	40 W
Type of cooling	Natural convection
Length	310 mm
Centring collar diameter	180 mm
Centring collar depth	4 mm
Number of mounting holes	4
Mounting holes diameter	14 mm
Circle diameter of the mounting holes	215 mm
Product weight	32.5 kg
Sizing reference	BMH1902P
Network number of phases	3
Accuracy error [angular]	4.8 °
Temperature copper hot	135 °C
Temperature magnet hot	100 °C
Temperature magnet rt	20 °C
Motor voltage drop coefficient	1

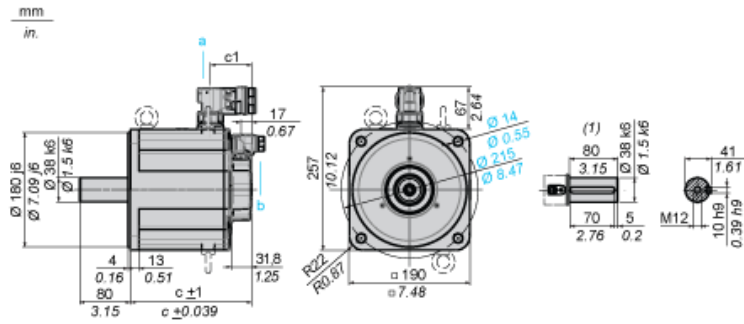
Offer Sustainability

Sustainable offer status	Green Premium product
RoHS (date code: YYWW)	Compliant - since 1401 - Schneider Electric declaration of conformity Schneider Electric declaration of conformity
REACH	Reference not containing SVHC above the threshold
Product environmental profile	Available
Product end of life instructions	Need no specific recycling operations

Contractual warranty

Warranty period	18 months
-----------------	-----------

Servo Motors Dimensions



- a Power supply for servo motor brake
- b Power supply for servo motor encoder
- (1) Shaft end, keyed slot (optional)

Dimensions in mm

c (without brake)	c (with brake)	c1 (without brake)	c1 (with brake)
250	308	65	123

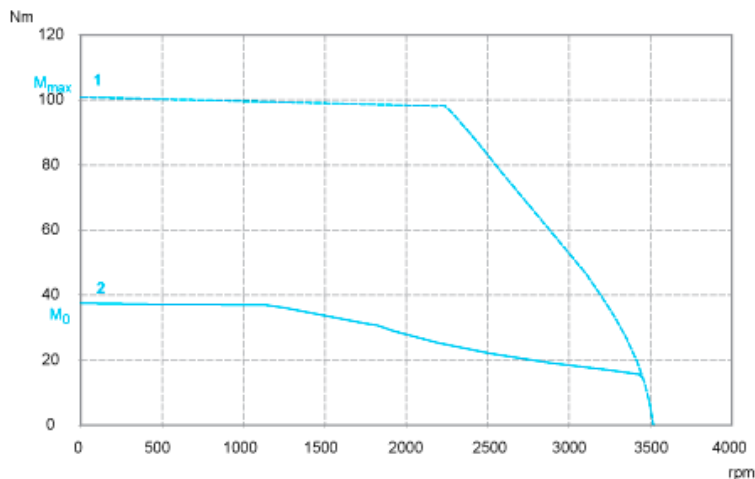
Dimensions in in.

c (without brake)	c (with brake)	c1 (without brake)	c1 (with brake)
9.84	12.12	2.56	4.84

Torque/Speed Curves

400 V 3-Phase Supply Voltage

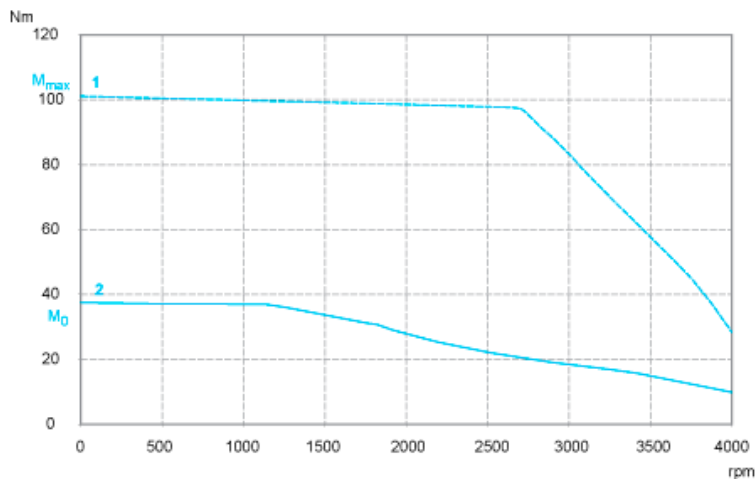
Servo motor with LXM32•D72N4 servo drive



- (1) Peak torque
- (2) Continuous torque

480 V 3-Phase Supply Voltage

Servo motor with LXM32•D72N4 servo drive



- (1) Peak torque
- (2) Continuous torque

Product Life Status : **Commercialised**

BMH1902P36F2A may be replaced by any of the following products:



BMH1902P31F2A

servo motor BMH - 48 Nm - 4000 rpm - keyed shaft - with brake - IP65/IP67

Qty 1

Reason for Substitution: End of life | Substitution date: 30 Nov 2015 | high resolution encoder



BMH1902P31F2A

servo motor BMH - 48 Nm - 4000 rpm - keyed shaft - with brake - IP65/IP67

Qty 1

Reason for Substitution: End of life | Substitution date: 30 Nov 2015 | high resolution encoder



BMH1902P31F2A

servo motor BMH - 48 Nm - 4000 rpm - keyed shaft - with brake - IP65/IP67

Qty 1

Reason for Substitution: End of life | Substitution date: 07 Jan 2016 |



BMH1902P31F2A

servo motor BMH - 48 Nm - 4000 rpm - keyed shaft - with brake - IP65/IP67

Qty 1

Reason for Substitution: End of life | Substitution date: 07 Jan 2016 |
