

Product data sheet

Characteristics

BCH2MM1020CF6C

servo motor BCH, 130mm, 1000W, no oil seal, smooth, brake, straight con



Product availability: Non-Stock - Not normally stocked in distribution facility

Price*: 1429.65 USD



Main

Range compatibility	Lexium 28
Product or component type	Servo motor
Device short name	BCH2

Complementary

Maximum mechanical speed	3000 Rpm
[Us] rated supply voltage	220 V
Phase	Three phase Single phase
Continuous stall current	5.77 A
Continuous stall torque	42.22 Lbf.In (4.77 N.m) LXM28... 7 A, 220 V, single phase 42.22 Lbf.In (4.77 N.m) LXM28... 7 A, 220 V, three phase
Continuous power	1000 W
Peak stall torque	126.57 Lbf.In (14.3 N.m) LXM28... 7 A, 220 V, single phase 126.57 Lbf.In (14.3 N.m) LXM28... 7 A, 220 V, three phase
Nominal output power	1000 W LXM28... 7 A, 220 V, single phase 1000 W LXM28... 7 A, 220 V, three phase
Nominal torque	42.22 Lbf.In (4.77 N.m) LXM28... 7 A, 220 V, single phase 42.22 Lbf.In (4.77 N.m) LXM28... 7 A, 220 V, three phase
Nominal speed	2000 rpm LXM28... 7 A, 220 V, single phase 2000 rpm LXM28... 7 A, 220 V, three phase
Maximum current Irms	19.64 A LXM28... 1 kW, 220 V
Maximum permanent current	6.29 A
Product compatibility	LXM28... servo drive 1 kW, 220 V, single phase LXM28... servo drive 1 kW, 220 V, three phase
Shaft end	Smooth shaft
Shaft diameter	0.87 In (22 mm)
Shaft length	2.17 In (55 mm)
Feedback type	20 bits single turn absolute encoder
Holding brake	With
Holding torque	84.97 Lbf.In (9.6 N.m) built-in

Mounting support	Asian standard flange
Motor flange size	5.12 In (130 mm)
Electrical connection	Connector MIL
Torque constant	0.83 N.M/A 68 °F (20 °C)
Back emf constant	50 V/Krpm 68 °F (20 °C)
Rotor inertia	6.91 Kg.Cm ²
Stator resistance	0.62 Ohm 68 °F (20 °C)
Stator inductance	7.4 MH 68 °F (20 °C)
Stator electrical time constant	11.94 Ms 68 °F (20 °C)
Maximum radial force Fr	670 N 2000 rpm
Maximum axial force Fa	200 N
Brake pull-in power	19.7 W
Type of cooling	Natural convection
Length	7.20 In (183 mm)
Number of motor stacks	1
Centring collar diameter	4.33 In (110 mm)
Centring collar depth	0.31 In (8 mm)
Number of mounting holes	4
Mounting holes diameter	0.36 In (9.2 mm)
Circle diameter of the mounting holes	5.71 In (145 mm)
Distance shaft shoulder-flange	0.31 In (8 mm)
Net Weight	18.08 Lb(US) (8.2 kg)

Environment

IP degree of protection	IP54 IM B5, IM V1 IP50 IM V3
Ambient air temperature for operation	32...104 °F (0...40 °C)

Ordering and shipping details

Category	18281 - LEXIUM 23/28 MOTORS
Discount Schedule	PC53
GTIN	03606480734212
Nbr. of units in pkg.	1
Package weight(Lbs)	20.6 Lb(US) (9.34 kg)
Returnability	No
Country of origin	CN

Packing Units

Unit Type of Package 1	PCE
Package 1 Height	7.13 In (18.1 cm)
Package 1 width	9.06 In (23 cm)
Package 1 Length	14.17 In (36 cm)

Offer Sustainability

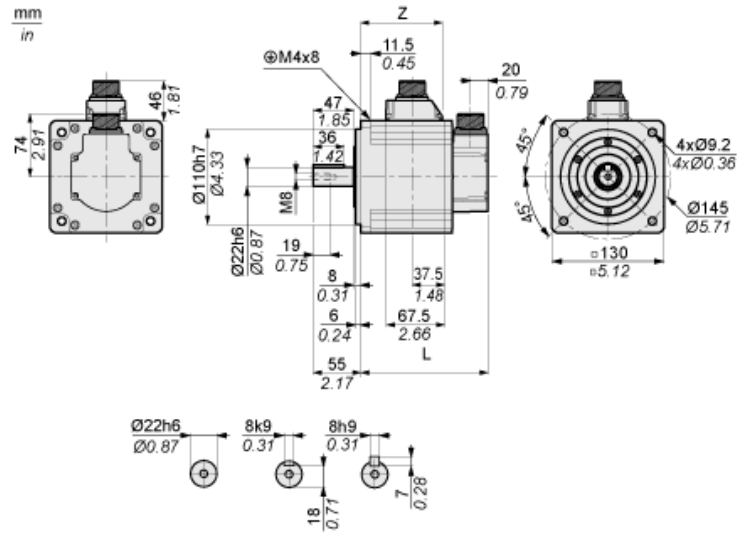
Sustainable offer status	Green Premium product
REACH free of SVHC	Yes
EU RoHS Directive	Pro-active compliance (Product out of EU RoHS legal scope) EU RoHS Declaration
Mercury free	Yes
RoHS exemption information	Yes
China RoHS Regulation	China RoHS Declaration

WEEE

The product must be disposed on European Union markets following specific waste collection and never end up in rubbish bins.

Dimensions

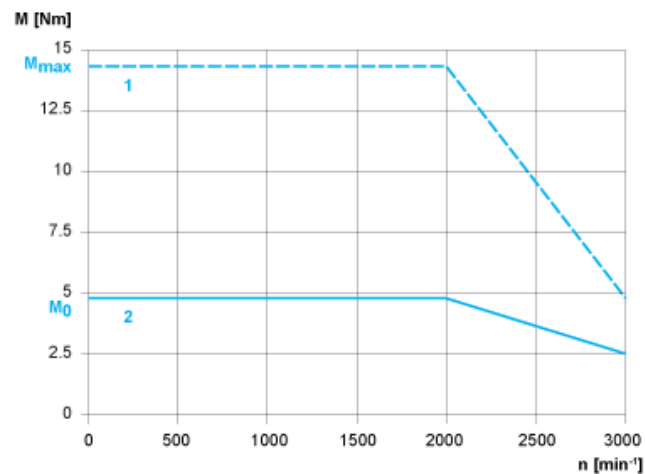
Dimensions of Motor



	mm	in.
L (without holding brake)	147	5.79
L (with holding brake)	183	7.2
Z	94.5	3.72

Torque/Speed Curves with 230 V Single/Three Phase Supply Voltage

Servo Motor with LXM28AU10 Servo Drive



- 1 : Peak torque
- 2 : Continuous torque

Product Life Status : **Commercialised**

BCH2MM1020CF6C may be replaced by any of the following products:



BCH2MM1023CF6C

servo motor BCH, 130mm, 1000W, w oil seal, w key, brake, straight con

Qty 1

Reason for Substitution: End of life | Substitution date: 14 Apr 2020 |