



Main

Range compatibility	Lexium 28
Product or component type	Servo motor
Device short name	BCH2

Complementary

Maximum mechanical speed	3000 rpm
[Us] rated supply voltage	220 V
Network number of phases	Single phase Three phase
Continuous stall current	5.64 A
Continuous stall torque	8.59 N.m for LXM28... at 7 A, 220 V, single phase 8.59 N.m for LXM28... at 7 A, 220 V, three phase
Continuous power	900 W
Peak stall torque	25.77 N.m for LXM28... at 7 A, 220 V, single phase 25.77 N.m for LXM28... at 7 A, 220 V, three phase
Nominal output power	900 W for LXM28... at 7 A, 220 V, single phase 900 W for LXM28... at 7 A, 220 V, three phase
Nominal torque	8.59 N.m for LXM28... at 7 A, 220 V, single phase 8.59 N.m for LXM28... at 7 A, 220 V, three phase
Nominal speed	1000 rpm for LXM28... at 7 A, 220 V, single phase 1000 rpm for LXM28... at 7 A, 220 V, three phase
Maximum current Irms	19.81 A for LXM28... at 0.9 kW, 220 V
Maximum permanent current	6.15 A
Product compatibility	LXM28... servo drive motor at 0.9 kW, 220 V, single phase LXM28... servo drive motor at 0.9 kW, 220 V, three phase
Shaft end	Smooth shaft
Shaft diameter	22 mm
Shaft length	55 mm
Feedback type	20 bits single turn absolute encoder
Holding brake	With
Holding torque	9.6 N.m for built-in
Mounting support	Asian standard flange
Motor flange size	130 mm
Electrical connection	MIL connector
Torque constant	1.52 N.m/A at 20 °C
Back emf constant	92 V/krpm at 20 °C
Rotor inertia	10 kg.cm ²
Stator resistance	1.19 Ohm at 20 °C
Stator inductance	14.9 mH at 20 °C

Stator electrical time constant	12.52 ms at 20 °C
Maximum radial force Fr	670 N 1000 rpm
Maximum axial force Fa	200 N
Brake pull-in power	19.7 W
Type of cooling	Natural convection
Length	198 mm
Number of motor stacks	2
Centring collar diameter	110 mm
Centring collar depth	8 mm
Number of mounting holes	4
Mounting holes diameter	9.2 mm
Circle diameter of the mounting holes	145 mm
Distance shaft shoulder-flange	8 mm
Product weight	8.8 kg

Environment

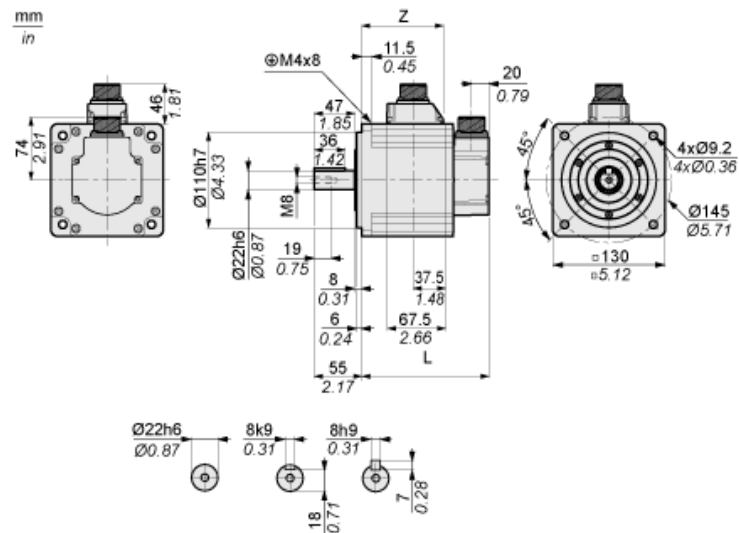
IP degree of protection	IP65 IM B5, IM V1 IP50 IM V3
Ambient air temperature for operation	0...40 °C

Offer Sustainability

RoHS (date code: YYWW)	Compliant - since 1442 - Schneider Electric declaration of conformity Schneider Electric declaration of conformity
REACH	Reference not containing SVHC above the threshold

Dimensions

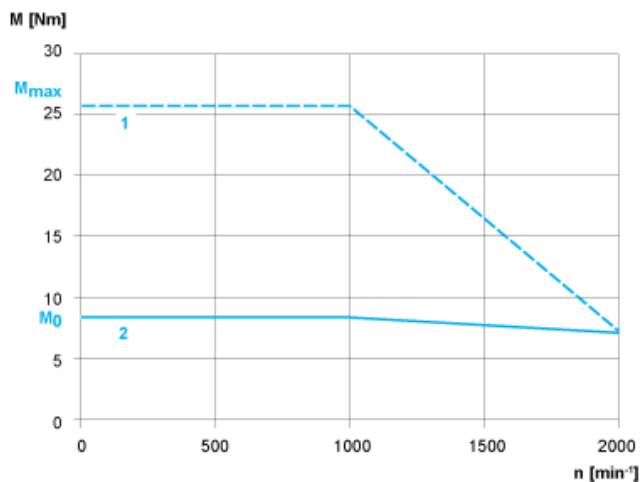
Dimensions of Motor



	mm	in.
L (without holding brake)	163	6.42
L (with holding brake)	198	7.8
Z	110.5	4.35

Torque/Speed Curves with 230 V Single/Three Phase Supply Voltage

Servo Motor with LXM28AU10●●● Servo Drive



- 1 : Peak torque
- 2 : Continuous torque

Product Life Status : Commercialised