



Main

Range of product	Altivar 61 Plus-LH
Product or component type	Variable speed drive
Device short name	ATV61
Product destination	Asynchronous motors Synchronous motors
Assembly style	In floor-standing enclosure compact version
Kit composition	Terminals/Bars for motor connection A line choke Power supply 24 V DC A switch and fast-acting fuses Active infeed converter ATV61HC50N4D standard drive IP00 A wired ready-assembled Schneider Spacial SF enclosure Clean power filter with integrated EMC filter An IP65 remote mounting kit for graphic display terminal Control transformer 230 V AC
EMC filter	Integrated
Network number of phases	3 phases
[Us] rated supply voltage	380...415 V (+/- 10 %)
Supply voltage limits	342...457 V
Supply frequency	50...60 Hz (- 5...5 %)
Network frequency limits	47.5...63 Hz
Motor power kW	500 kW, 3 phases at 380...415 V
Line current	780 A at 400 V 3 phases / 500 kW
IP degree of protection	IP54

Complementary

Apparent power	540 kVA at 400 V, 3 phases 500 kW
Prospective line I _{sc}	100 kA with external fuses 35 kA without external fuses 70 kA with option circuit breaker
Continuous output current	941 A, 2.5 kHz at 400 V 3 phases
Maximum transient current	1129 A (duration=60 s) at 400 V 3 phases
Speed drive output frequency	0.1...500 Hz
Nominal switching frequency	2.5 kHz
Switching frequency	2...8 kHz adjustable 2.5...8 kHz with derating factor
Speed range	1...100 in open-loop mode, without speed feedback
Speed accuracy	+/- 10 % of nominal slip for 0.2 T _n to T _n torque variation without speed feedback
Torque accuracy	+/- 15 % in open-loop mode, without speed feedback
Transient overtorque	120 % of nominal motor torque for 60 s

Braking torque	100 % continuous 120 % for 60 seconds
Asynchronous motor control profile	Voltage/Frequency ratio (2 or 5 points) Energy saving ratio Flux vector control without sensor, standard
Synchronous motor control profile	Vector control without sensor, standard
Regulation loop	Adjustable PI regulator
Motor slip compensation	Adjustable Not available in voltage/frequency ratio (2 or 5 points) Can be suppressed Automatic whatever the load
Overvoltage category	Class 3 conforming to EN 50178
Local signalling	LCD display unit - operation function, status and configuration - mounted in the front door
Output voltage	<= power supply voltage
Isolation	Between power and control terminals
Type of cable	IEC cable at 40 °C, copper 70 °C / PVC
Electrical connection	Terminal, Connection capacity: 2.5 mm ² AWG 14, terminal(s): AI1-/AI1+, AI2, AO1, R1A, R1B, R1C, R2A, R2B, LI1...LI6, PWR, cable entry: entry from the bottom Bar - screw type M12, connection capacity: 4 x 300 mm ² , terminal(s): L1/R, L2/S, L3/T, cable entry: entry from the bottom Bar - screw type M12, connection capacity: 4 x 240 mm ² , terminal(s): U/T1, V/T2, W/T3, cable entry: entry from the bottom
Motor recommended cable cross section	4 (3 x 185) mm ²
Short-circuit protection	550 A 2 fuses (gl fuse) on power supply upstream
Supply	Internal supply for reference potentiometer at 10 V DC (10...11 V), <= 10 mA Internal supply at 24 V DC (21...27 V), <= 100 mA External supply at 24 V DC (19...30 V), 1 A, 30 W
Analogue input number	2
Analogue input type	Software-configurable current : (AI2) 0...20 mA/4...20 mA - 250 Ohm - sampling time: 1.5...2.5 ms - resolution: 11 bits Software-configurable voltage : (AI2) 0...10 V DC - 24 V max - 30 kOhm - sampling time: 1.5...2.5 ms - resolution: 11 bits Bipolar differential voltage : (AI1-/AI1+) +/- 10 V DC - 24 V max - sampling time: 1.5...2.5 ms - resolution: 11 bits + sign
Analogue output number	1
Analogue output type	Software-configurable voltage : (AO1) 0...10 V DC - 470 Ohm - sampling time: 1.5...2.5 ms - resolution: 10 bits Software-configurable current : (AO1) 0...20 mA/4...20 mA - 500 Ohm - sampling time: 1.5...2.5 ms - resolution: 10 bits
Discrete output number	1
Discrete output type	Configurable relay logic : (R1A, R1B, R1C) NO/NC - 6.5...7.5 ms - 100000 cycles
Minimum switching current	3 mA at 24 V DC (configurable relay logic)
Maximum switching current	5 A at 250 V AC on resistive load - cos phi = 1 (configurable relay logic) 2 A at 30 V DC on inductive load - L/R = 7 ms (configurable relay logic) 5 A at 30 V DC on resistive load - L/R = 0 ms (configurable relay logic) 2 A at 250 V AC on inductive load - cos phi = 0.4 (configurable relay logic)
Discrete input number	6
Discrete input type	Switch-configurable (LI6) 24 V DC (<= 30 V) , with level 1 PLC - 1.5 kOhm - sampling time: 1.5...2.5 ms Safety input (PWR) 24 V DC (<= 30 V) - 1.5 kOhm Programmable (LI1...LI4) 24 V DC (<= 30 V) , with level 1 PLC - 3.5 kOhm - sampling time: 1.5...2.5 ms
Discrete input logic	Positive logic (source) (LI1...LI6) , 0...5 V (state 0), 11...30 V (state 1) Negative logic (sink) (LI1...LI6) , 16...30 V (state 0), 0...10 V (state 1) Positive logic (source) (PWR) , 0...2 V (state 0), 17...30 V (state 1)
Acceleration and deceleration ramps	Linear adjustable separately from 0.01 to 9000 s S, U or customized
Braking to standstill	By regenerative braking with active front end

Protection type	Overheating protection for drive Short-circuit between motor phases for drive Overcurrent between output phases and earth for drive Overvoltages on the DC bus for drive Against exceeding limit speed for drive Line supply undervoltage for drive Line supply overvoltage for drive Against input phase loss for drive Thermal protection for motor Motor phase break for motor Power removal for drive
Dielectric strength	3535 V DC between earth and power terminals 5092 V DC between control and power terminals
Insulation resistance	> 1 mOhm at 500 V DC for 1 minute to earth
Frequency resolution	0.1 Hz for display unit 0.024/50 Hz for analog input
Communication port protocol	CANopen Modbus
Connector type	1 RJ45 for Modbus on front face 1 RJ45 for Modbus on terminal Male SUB-D 9 on RJ45 for CANopen
Physical interface	2-wire RS 485 for Modbus
Transmission frame	RTU for Modbus
Transmission rate	20 kbps, 50 kbps, 125 kbps, 250 kbps, 500 kbps, 1 Mbps for CANopen 4800 bps, 9600 bps, 19200 bps, 38.4 Kbps for Modbus on terminal 9600 bps, 19200 bps for Modbus on front face
Data format	8 bits, 1 stop, even parity for Modbus on front face 8 bits, odd even or no configurable parity for Modbus on terminal
Type of polarization	No impedance for Modbus
Number of addresses	1...247 for Modbus 1...127 for CANopen
Method of access	Slave for CANopen
Function available	Safe standstill for power circuit PTC relay for power circuit Pt100 relay for power circuit Insulation monitoring for power circuit Design for IT networks for power circuit External 230 V supply terminals for power circuit Buffer voltage 24 V DC power supply for power circuit Enclosure lighting for power circuit Key switch (local/remote) for power circuit Motor heating for power circuit External motor fan for power circuit Voltmeter for power circuit Door handle for main switch for power circuit Ammeter for power circuit Enclosure heating for power circuit Motor choke for power circuit Cable entry via the top for power circuit Enclosure plinth for power circuit Relay output C/O for control circuit External 24 V DC supply terminals for power circuit Control terminals for control circuit Adaptor for 115 V logic inputs for control circuit Isolated amplifier for control circuit
Option card	Controller inside programmable card Multi-pump card Communication card for Profibus DP Basic I/O extension card Extended I/O extension card Encoder interface cards Communication card for Modbus TCP Communication card for Fipio Communication card for Modbus/Uni-Telway Communication card for Modbus Plus Communication card for Ethernet/IP Communication card for DeviceNet Communication card for Profibus DP V1 Communication card for Interbus-S Communication card for CC-Link Communication card for LonWorks Communication card for METASYS N2 Communication card for APOGEE FLN Communication card for BACnet

Operating position	Vertical +/- 10 degree
Colour of enclosure	Light grey RAL 7035
Width	2000 mm
Height	2237 mm
Depth	642 mm
Product weight	1480 kg

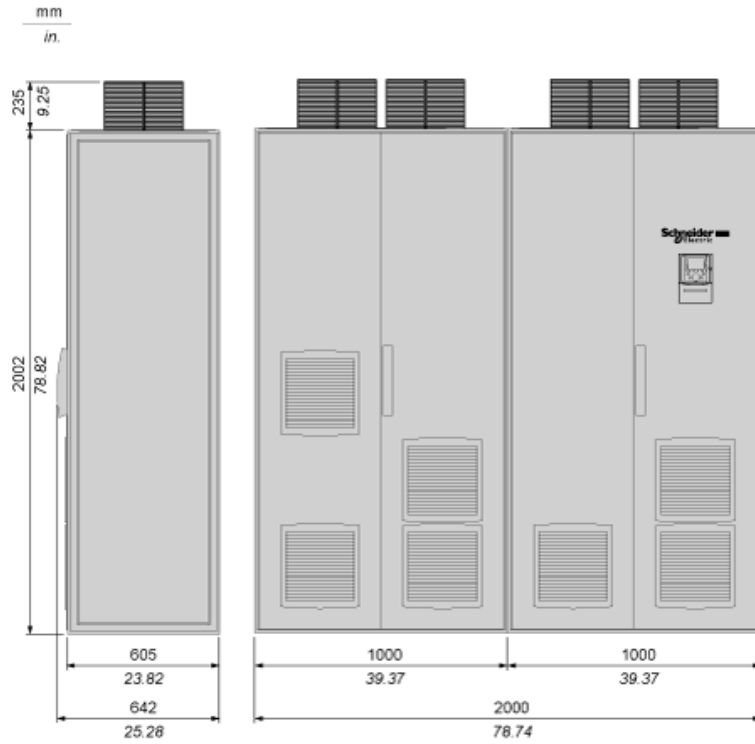
Environment

Standards	EN 61800-3 environments 2 category C3 EN 60204-1 EN 61800-2 EN 61800-5-1
Product certifications	C-Tick GOST ATEX
Marking	CE
Noise level	79 dB
Pollution degree	3 conforming to EN/IEC 61800-5-1
Vibration resistance	3M3 conforming to EN/IEC 60721-3-3 1.5 mm peak to peak (f = 3...10 Hz) conforming to EN/IEC 60068-2-6 0.6 gn (f = 10...200 Hz) conforming to EN/IEC 60068-2-6
Shock resistance	3M2 conforming to EN/IEC 60721-3-3 4 gn for 11 ms conforming to EN/IEC 60068-2-27
Environmental characteristic	3K3 without condensation conforming to IEC 60721-3-3
Relative humidity	0...95 %
Ambient air temperature for operation	0...40 °C without derating 40...50 °C with current derating of 1.8 % per °C
Ambient air temperature for storage	-25...70 °C
Volume of cooling air	3600 m3/h
Operating altitude	<= 1000 m without derating 1000...3000 m with current derating 1 % per 100 m

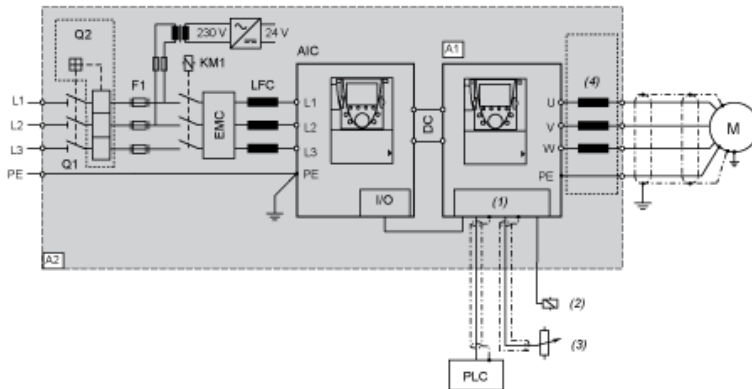
Contractual warranty

Warranty period	18 months
-----------------	-----------

Dimensions



Wiring Diagram

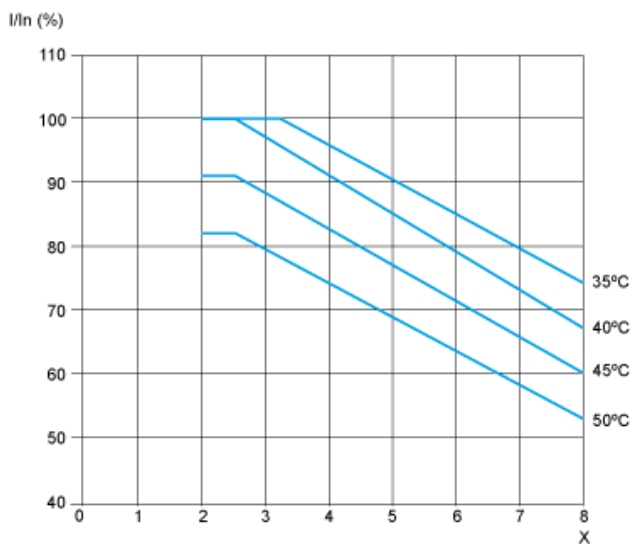


- A1 Drive
- A2 Enclosure
- AIC Active Infeed Converter
- M Motor
- Q1 Main switch built-in as standard
- Q2 Optional circuit breaker
- F1 Main fuses
- KM1 Line contactor
- EMC EMC filter
- LFC Line Filter Choke
- (1) Control
- (2) Relay control
- (3) Reference potentiometer
- (4) Option motor choke

Derating Curves

The derating curves for the drive nominal current (I_n) are dependent on the temperature and switching frequency. For intermediate temperatures, interpolate between 2 curves.

NOTE: The drive will reduce the switching frequency automatically in the event of excessive temperature rise.



X Switching frequency (kHz)

NOTE: The temperatures shown correspond to the temperature of the air entering the enclosure.

Product Life Status : **Commercialised**