



Main

Range of product	Harmony 9001SK
Product or component type	Complete emergency stop push-button
Device short name	9001SK
Bezel material	Plastic

Complementary

Mounting diameter	30 mm
CAD overall width	40 mm
CAD overall height	40 mm
CAD overall depth	90 mm
Product weight	0.141 kg
Operating position	Any position
Shape of signaling unit head	Round
Type of operator	Maintained Trigger action Turn to release
Operator profile	Mushroom Ø 40 mm, cap/operator or lens colour:red (CE marking)
Mechanical durability	5000000 cycles
Operator additional information	Screw-in with set screw security

Environment

Protective treatment	TC
Ambient air temperature for storage	-40...70 °C
Ambient air temperature for operation	-25...70 °C
Electrical shock protection class	Class II conforming to IEC 61140
IP degree of protection	IP66 conforming to IEC 60529
NEMA degree of protection	NEMA 1 NEMA 12 NEMA 13 NEMA 2 NEMA 3 NEMA 3R NEMA 4 NEMA 4X

The information provided in this documentation contains general descriptions and/or technical characteristics of the performance of the products contained herein. This documentation is not intended as a substitute for and is not to be used for determining suitability or reliability of these products for specific user applications. It is the duty of any such user or integrator to perform the appropriate and complete risk analysis, evaluation and testing of the products with respect to the relevant specific application or use thereof. Neither Schneider Electric Industries SAS nor any of its affiliates or subsidiaries shall be responsible or liable for misuse of the information contained herein.

Standards	CSA C22.2 No 14 RoHS compliant EN/IEC 60947-5-5 EN/IEC 60947-5-1 EN/IEC 60947-1 EN/IEC 60947-5-4 JIS C 4520 JIS C 852 UL 508
Product certifications	UL listed file E78403 CCN NKCR NEMA UL 508 CSA LR25490 class 3211 03
Vibration resistance	7 gn (f= 2...500 Hz) conforming to IEC 60068-2-6
Shock resistance	50 gn conforming to IEC 60068-2-27

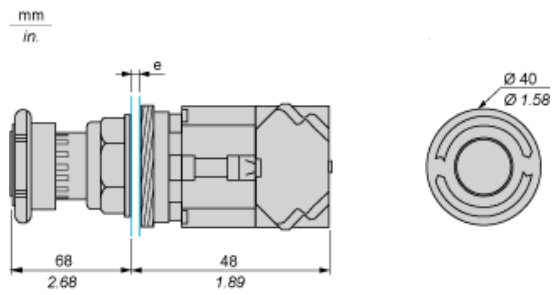
Offer Sustainability

RoHS (date code: YYWW)	Compliant - since 0921 - Schneider Electric declaration of conformity  Schneider Electric declaration of conformity
------------------------	--

Contractual warranty

Warranty period	18 months
-----------------	-----------

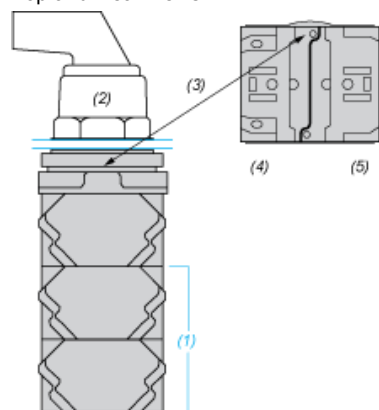
Dimensions



e panel thickness: 1 to 6 mm / 0.04 to 0.24 in.

Contact Block Mounting Position

Top and Rear views



- (1) It is possible to mount up to 3 levels of contacts blocks (maximum of 6 contacts blocks)
- (2) Operator
- (3) Locating notch
- (4) Side 1
- (5) Side 2

Product Life Status : **Commercialised**