

Product data sheet

Characteristics

9001SK2L36LRR

red illuminated pushbutton Ø 30 - projecting
spring return - 48 V - 1 C/O



by Schneider Electric

Product availability: Non-Stock - Not normally stocked in distribution facility

Price*: 167.00 USD



Commercial status

This Product is Obsolete :

This Product is Obsolete

Main

Range of product	Harmony 9001SK
Product or component type	Illuminated push-button
Device short name	9001SK
Type of operator	Spring return
Operator profile	Red projecting, unmarked
Light block supply	Direct 48 V AC/DC

Complementary

Bezel material	Plastic
Mounting diameter	1.18 In (30 mm)
Shape of signaling unit head	Octagonal
Light source	Red LED
Bulb base	BA 9s
[Us] rated supply voltage	48 V AC/DC
Contacts type and composition	Without contact block
Connections - terminals	Screw clamp terminals 1 x 0.22...2 x 1.5 mm ² EN/IEC 60947-1
Tightening torque	7.08 Lbf.In (0.8 N.m) EN/IEC 60947-1
Shape of screw head	Cross slotted
Mechanical durability	5000000 Cycles
Operating position	Any position
[Ui] rated insulation voltage	250 V 3)EN/IEC 60947-1
[Uimp] rated impulse withstand voltage	2.5 KV EN/IEC 60947-1
Contact operation	Standard
Short-circuit protection	10 A cartridge fuse EN/IEC 60947-5-1
[Ith] conventional free air thermal current	10 A

Net Weight	0.40 Lb(US) (0.181 kg)
Device presentation	Basic element

Environment

Standards	EN/IEC 60947-5-1 CSA C22.2 No 14 JIS C 852 EN/IEC 60947-1 JIS C 4520 EN/IEC 60947-5-4 UL 508
Product certifications	NEMA UL 508
Protective treatment	TC
Ambient air temperature for storage	-40...158 °F (-40...70 °C)
Ambient air temperature for operation	-13...158 °F (-25...70 °C)
Vibration resistance	7 gn 2...500 Hz)IEC 60068-2-6
Shock resistance	50 gn IEC 60068-2-27
Electrical shock protection class	Class II IEC 61140
IP degree of protection	IP66 IEC 60529
NEMA degree of protection	NEMA 1 NEMA 12 NEMA 13 NEMA 2 NEMA 3 NEMA 3R NEMA 4 NEMA 4X

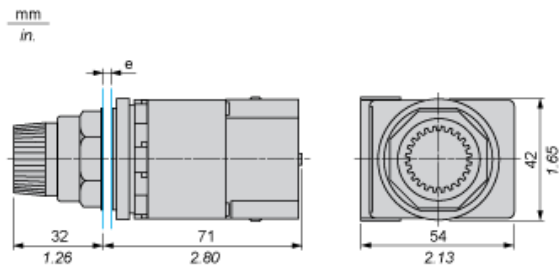
Ordering and shipping details

Category	21429 - 9001 SK,SKY
Discount Schedule	CS1
GTIN	03389118038264
Package weight(Lbs)	0.4 Lb(US) (0.18 kg)
Returnability	No
Country of origin	MX

Contractual warranty

Warranty	18 months
----------	-----------

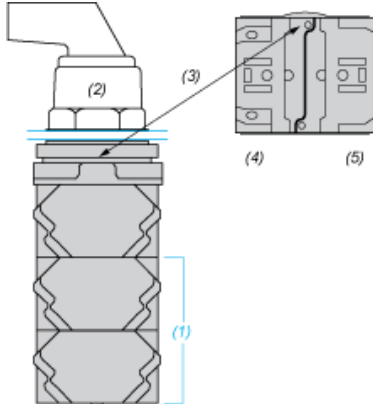
Dimensions



e panel thickness: 1 to 6 mm/ 0.04 to 0.24 in.

Contact Block Mounting Position

Top and Rear views



- (1) It is possible to mount up to 3 levels of contacts blocks (maximum of 6 contacts blocks)
- (2) Operator
- (3) Locating notch
- (4) Side 1
- (5) Side 2

Product Life Status : **End of commercialisation**