

# Product data sheet

## Characteristics

# 9001SK2L36LGG

green illuminated pushbutton Ø 30 - projecting  
spring return - 48 V - 1 C/O



by Schneider Electric

Price\*: 167.00 USD



## Commercial status

This Product is Obsolete :

This Product is Obsolete

## Main

Range of product	Harmony 9001SK
Product or component type	Illuminated push-button
Device short name	9001SK
Type of operator	Spring return
Operator profile	Green projecting unmarked
Light block supply	Direct

## Complementary

Bezel material	Plastic
Mounting diameter	1.18 in (30 mm)
Shape of signaling unit head	Octagonal
Light source	Green LED
Bulb base	BA 9s
[Us] rated supply voltage	48 V AC/DC
Contacts type and composition	Without contact block
Connections - terminals	Screw clamp terminals (1 x 0.22...2 x 1.5 mm <sup>2</sup> ) conforming to EN/IEC 60947-1
Tightening torque	7.08 lbf.in (0.8 N.m) conforming to EN/IEC 60947-1
Shape of screw head	Cross slotted
Mechanical durability	5000000 cycles
Operating position	Any position
[Ui] rated insulation voltage	250 V (degree of pollution: 3) conforming to EN/IEC 60947-1
[Uimp] rated impulse withstand voltage	2.5 kV conforming to EN/IEC 60947-1
Contact operation	Standard
Short-circuit protection	10 A cartridge fuse conforming to EN/IEC 60947-5-1
[Ith] conventional free air thermal current	10 A
Product weight	0.4 lb(US) (0.181 kg)

Compatibility code	9001SK
Device presentation	Basic element

## Environment

Standards	EN/IEC 60947-1 EN/IEC 60947-5-1 EN/IEC 60947-5-4 JIS C 4520 JIS C 852 UL 508 CSA C22.2 No 14
Product certifications	NEMA UL 508
Protective treatment	TC
Ambient air temperature for storage	-40...158 °F (-40...70 °C)
Ambient air temperature for operation	-13...158 °F (-25...70 °C)
Vibration resistance	7 gn (f = 2...500 Hz) conforming to IEC 60068-2-6
Shock resistance	50 gn conforming to IEC 60068-2-27
Electrical shock protection class	Class II conforming to IEC 61140
IP degree of protection	IP66 conforming to IEC 60529
NEMA degree of protection	NEMA 1 NEMA 12 NEMA 13 NEMA 2 NEMA 3 NEMA 3R NEMA 4 NEMA 4X

## Ordering and shipping details

Category	21429 - 9001 SK,SKY
Discount Schedule	CS1
GTIN	003389118038288
Nbr. of units in pkg.	1
Package weight(Lbs)	0.40000000000000002
Returnability	N
Country of origin	MX

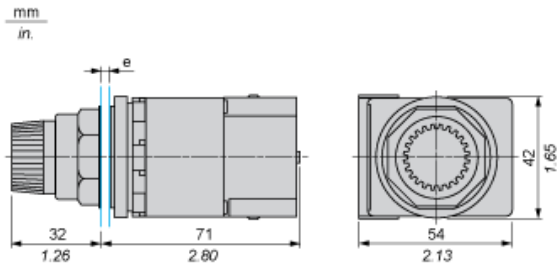
## Offer Sustainability

RoHS (date code: YYWW)	Compliant - since 0921 - Schneider Electric declaration of conformity <a href="#">Schneider-Electric declaration of conformity</a>
REACH	Reference not containing SVHC above the threshold

## Contractual warranty

Warranty period	18 months
-----------------	-----------

Dimensions



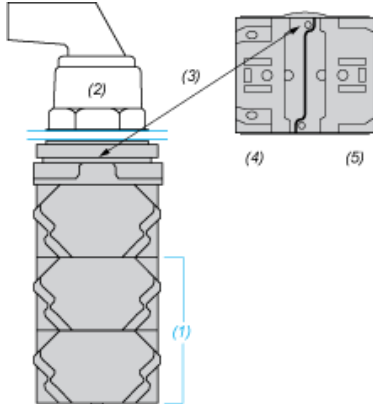
e panel thickness: 1 to 6 mm/ 0.04 to 0.24 in.

---

Contact Block Mounting Position

---

Top and Rear views



- (1) It is possible to mount up to 3 levels of contacts blocks (maximum of 6 contacts blocks)
- (2) Operator
- (3) Locating notch
- (4) Side 1
- (5) Side 2

Product Life Status : **End of commercialisation**