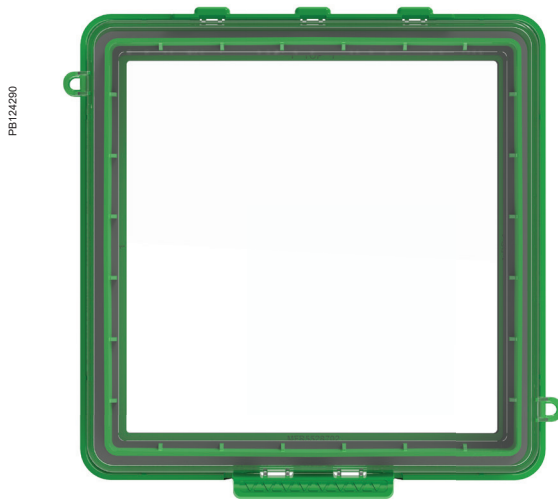


IP65 Accessory kit

Technical Datasheet

Upgrade IP degree of protection against ingress of dust and water for panel meters with optional IP65 accessory kit. Compatible with Schneider make power meter models: DM6000, EM1000, DM6xx0H, EM1000H, EM64xxH, EM6400NG+, EM7200, PM1000H, PM2000, PM5000 series.

IP – Ingress protection rating is used to specify the environmental protection of electrical equipment Ingress Protection (IP) ratings are developed by the European Committee for Electro Technical Standardization (CEN/IEC), to specify the environmental protection on the device enclosures. The applicable standard for testing IP degree of protection of the device is IEC 60529.



IP65 accessory kit



Power meter upgraded to IP65 degree of protection

IP65 Accessory Kit

PEI124292



IP65 Accessory Kit iso view

- Applications
 - Upgrade Ingress protection of power meters to IP65 level
 - Specific electrical panels require higher degree of ingress protection against the penetration of dust and water
 - Mines, Minerals and Metals
 - FMCG, Food and Beverages
 - Outdoor panels
 - Substation
 - RMU (Ring Main Unit)
 - Generators
 - Panel instrumentation
 - Optional accessory for PowerLogic™ PM5000 series and EasyLogic™ DM6000, EM1000, DM6xx0H, EM1000H, EM64xxH, EM6400NG+, EM7200, PM1000H, PM2000 series power meter

- Main characteristics
 - IP65 enclosure kit for 96 mm x 96 mm form factor power meters with bezel thickness of maximum 15 mm
 - CE compliant
 - Field upgradable
 - Sealing provision against tampering of meter data
 - Clear transparent view of the meter display
 - Easy to operate with one click snap button
 - IP65 certified as per IEC 60529 standard
 - Tested for flammability as per UL 94

Commercial reference number

Commercial reference number	Description
METSEIP65OP96X96FD	IP65 Accessory kit for 96x96 mm form factor power meter (for India)
METSEIP65OP96X96FF	IP65 Accessory kit for 96x96 mm form factor power meter (for global)

IP65 Accessory Kit Technical Specifications

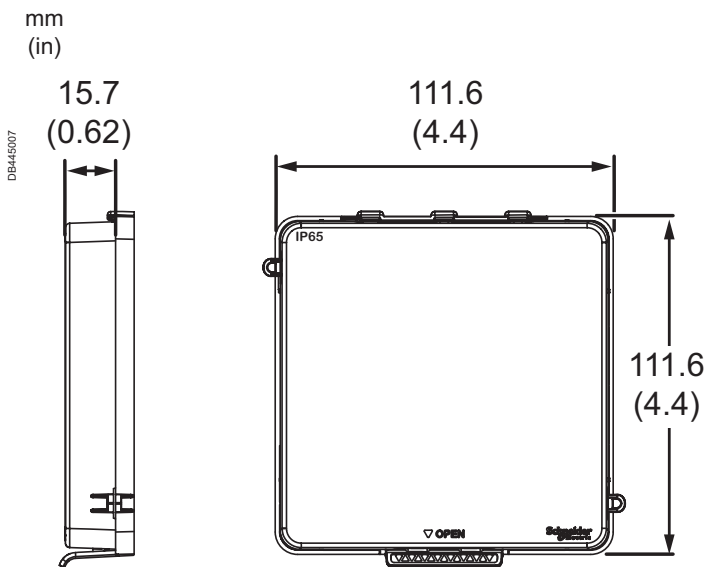
Environmental characteristics	
Operating temperature	-25 to 70 °C (-13 to 158 °F)
Storage temperature	- 30 to 80 °C (-22 to 175 °F)
Humidity rating	5 to 95 % RH non-condensing
Altitude	≤3000 m (9842.5 ft)
RoHS compliance	2015/863/EU
General	
IP protection degree	IP65 as per IEC 60529
Weight	0.07 kg/part
Flammability rating according to UL 94	V2 grade
Sealing hole	Ø2.0 mm (Ø0.08 in)

IP degree rating table

First number:	Protection against:	Second number:	Protection against:
0	No protection	0	No protection
1	Solid objects greater than 50 mm	1	Vertical water drops to which indoor equipment can be exposed due to leaks or condensation, limited ingress permitted
2	Solid objects greater than 12 mm	2	Direct sprays of water up to 15° from the vertical, limited ingress permitted
3	Solid objects over 2.5 mm (tools and wires)	3	Direct sprays of water up to 60° from the vertical, limited ingress permitted
4	Solid objects over 1 mm (tools, wire, and small wires)	4	Water sprayed from all directions, limited ingress permitted
5	Dust limited ingress (no harmful deposit, 2 to 8 hrs)	5	Low pressure jets of water from all directions, limited ingress permitted
6	Dust, no ingress of dust, 2 to 8 hrs	6	Low pressure jets of water, limited ingress permitted
		7	The effect of immersion between 15 cm and 1 m for 30 mins
		8	Long periods of immersion under pressure

IP65 Accessory Kit

IP65 accessory kit mechanical dimensions

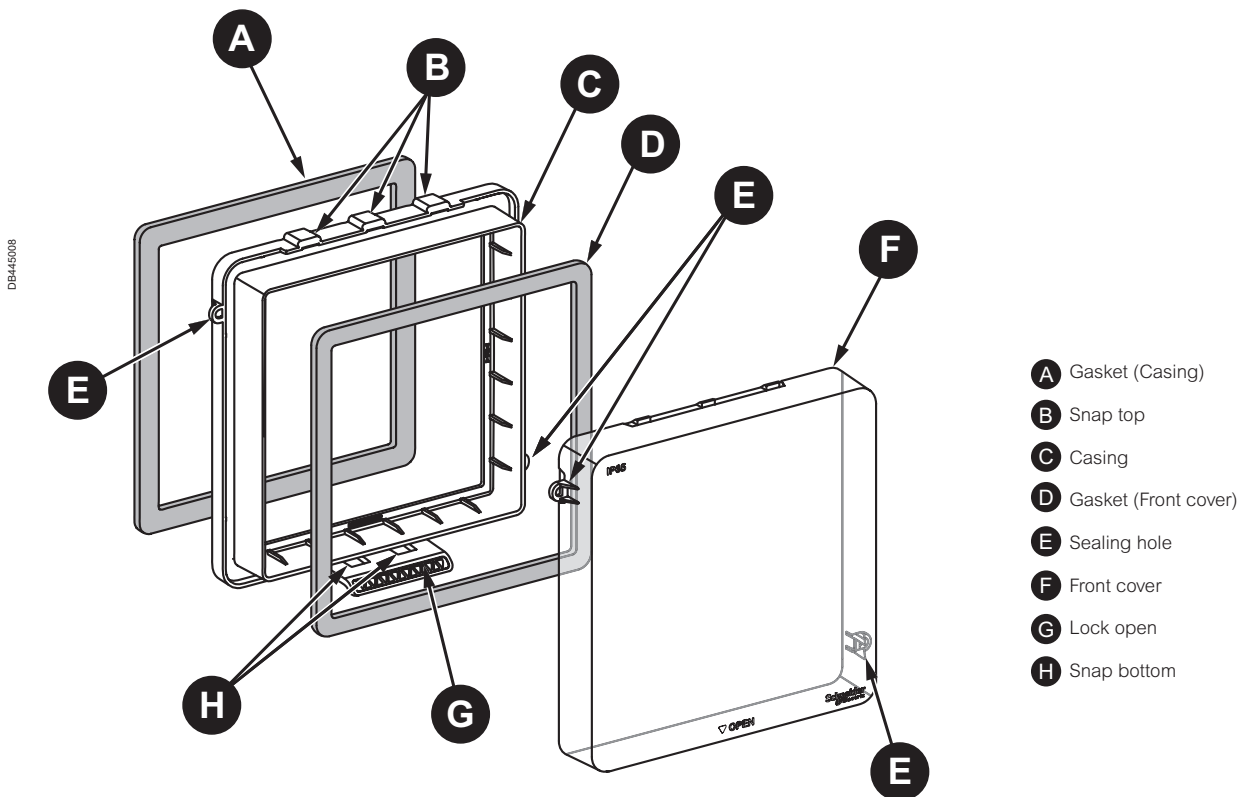


Compatible Schneider power meter ranges

Range	Power meter series
PowerLogic™	PM5000 series
EasyLogic™	DM6000 / EM1000
	DM6xx0H
	EM1000H
	EM64xxH
	EM6400NG+
	EM7200
	PM1000H
	PM2000 series

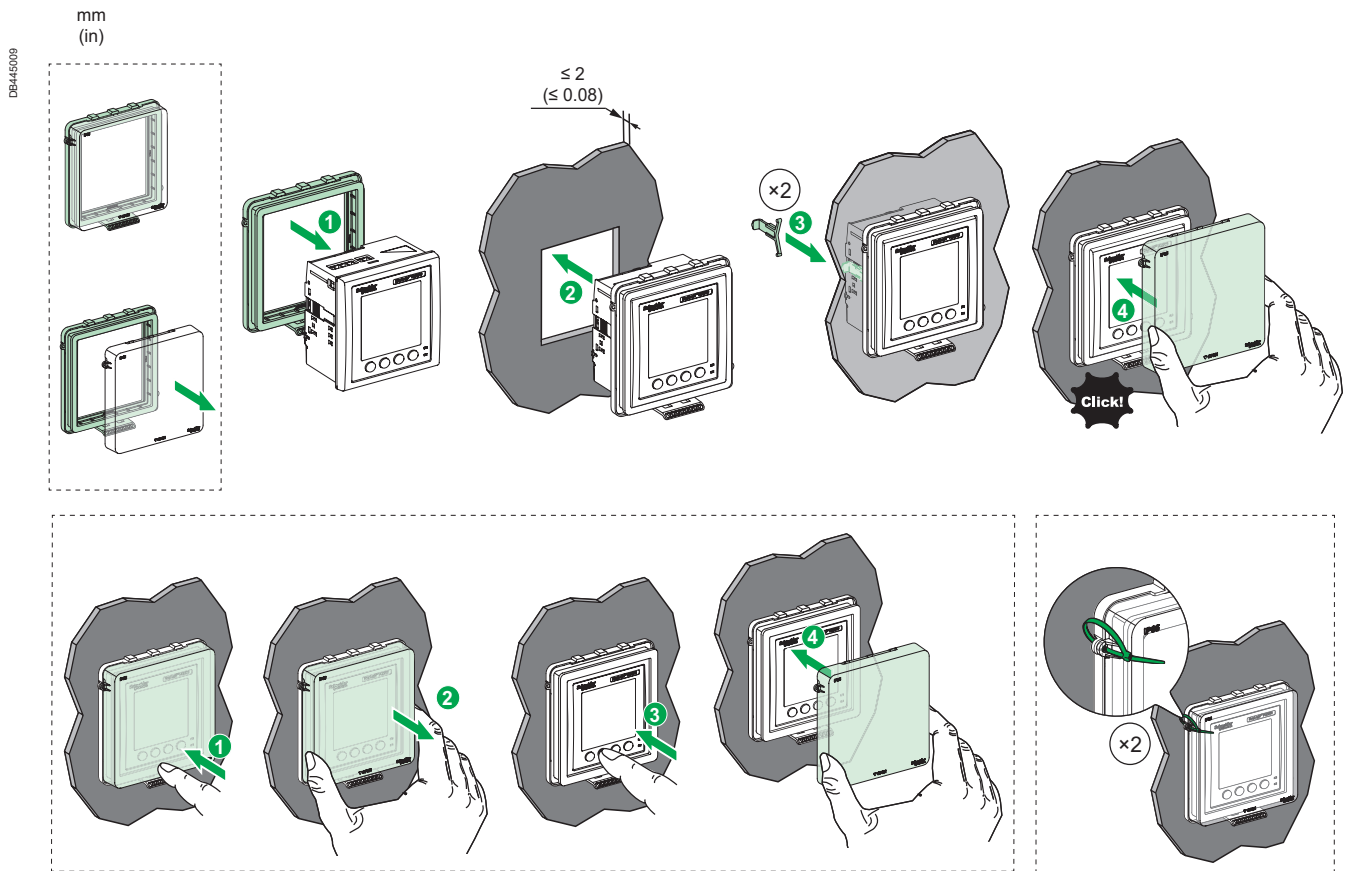
Note: See the appropriate Technical Datasheets of power meter series for more information.

IP65 accessory kit description

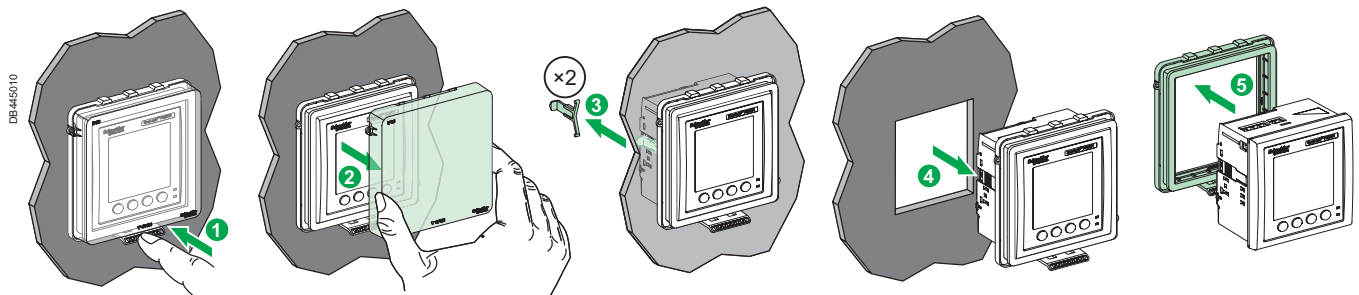


IP65 Accessory Kit

IP65 accessory kit mounting



IP65 accessory kit dismounting



See the appropriate *Installation Guide* for correct installation instructions.



www.se.com

Schneider Electric Industries SAS
35, Rue Joseph Monier
CS 30323
92506 Rueil Malmaison Cedex

RCS Nanterre 954 503 439
Capital social 928 298 512 €
www.se.com

August 2022
IP65 Accessory Kit
PLSED310197EN

© 2022 - Schneider Electric. All rights reserved.
All trademarks are owned by Schneider Electric
Industries SAS or its affiliated companies.

As standards, specifications and designs develop from time to time, please
ask for confirmation of the information given in this document.

Over 75 % of Schneider Electric products
have been awarded the Green Premium ecolabel.

