

I/A Series[®] Pressure Transmitters

**IAP10 Absolute Pressure and IGP10 Gauge Pressure
with 1 to 5 V dc Output Signal**

Installation, Operation, Calibration, Configuration, and Maintenance

Figures

1	Transmitter Identification.....	10
2	Minimum Allowable Absolute Pressure vs. Process Temperature with Fluorinert Fill Fluid	13
3	IAP10 and IGP10 Transmitter Mounting.....	20
4	Mounting of Transmitter with Sanitary Tri-Clamp Type Connection	20
5	Mounting of Transmitter with Sanitary Mini Tank Spud Seal.....	21
6	Welding Procedure.....	22
7	Mounting of Transmitter with Sleeve Type Pulp and Paper Process Connection	23
8	Mounting of Transmitter with Threaded Type Pulp and Paper Process Connection.....	24
9	Typical Transmitter Piping	25
10	Hot Process Piping.....	26
11	Housing Screw or Clip Location	26
12	Positioning Display	28
13	Cover Lock Location.....	28
14	Accessing Field Terminals.....	29
15	Identification of Field Terminals.....	29
16	Three-Wire Connection.....	30
17	Four-Wire Connection.....	31
18	Loop Wiring (Four-Wire Connection Shown)	32
19	Wiring Several Transmitters to a Common Power Supply (Four-Wire Connection Shown).....	32
20	Local Display Module	33
21	Top Level Structure Diagram	34
22	Display Test Segment Patterns.....	35
23	1 to 5 V dc Output Calibration Setup of Electronic Equipment.....	40
24	Transmitter Piping	40
25	Bench Calibration Setup	41
26	Calibration Structure Diagram.....	43
27	Configuration Structure Diagram.....	46

Contents

Figures	3
Tables	7
1. Introduction	9
General Description	9
Reference Documents	9
Transmitter Identification.....	10
Standard Specifications.....	11
Product Safety Specifications	15
ATEX and IECEx Warnings.....	17
ATEX Compliance Documents	17
IECEx Compliance Documents	17
2. Installation	19
Transmitter Mounting.....	19
Sanitary Process Connection.....	20
Pulp and Paper Process Connection.....	22
Sleeve Type Connector.....	22
Threaded Type Connector	23
Typical Transmitter Piping	24
Positioning the Housing.....	26
Positioning the Display	27
Cover Locks	28
Wiring	28
Accessing Transmitter Field Terminals	29
Wiring the Transmitter to a Control Loop.....	30
Power Supply Voltage and Current	30
Output Load	30
Three- or Four-Wire Connections	30
3. Operation Via Local Display.....	33
Testing the Display.....	34
Error Messages	36
4. Calibration	37

General Calibration Notes.....	37
Calibration Setup.....	39
Setup of Electronic Equipment.....	40
Field Calibration Setup.....	40
Bench Calibration Setup	40
Calibration Using the Local Display.....	41
Zero Adjustment Using External Zero Button.....	44
Error Messages	44
5. Configuration.....	45
Commentary on Configuration Structure Diagram.....	47
Reranging the Transmitter.....	48
Character Lists	48
Error Messages	48
6. Maintenance.....	49
Parts Replacement.....	49
Replacing the Terminal Block Assembly	49
Replacing the Electronics Module	49
Removing and Reinstalling the Housing Assembly	50
Replacing the Sensor Assembly	51
Index.....	53

Tables

1	Reference Documents	9
2	Electrical Safety Specifications	16
3	Operation Error Messages	36
4	Calibration Menu.....	41
5	Calibration Error Messages.....	44
6	Configuration Menu	45
7	Alphanumeric Character List.....	48
8	Numeric Character List.....	48
9	Configuration Error Messages	48

1. Introduction

General Description

The IAP10-V Absolute Pressure Transmitters and the IGP10-V Gauge Pressure Transmitters measure pressure by applying the pressure to a silicon strain gauge microsensor. This microsensor converts the pressure to a change in resistance, and the resistance change is converted to a 1 to 5 V dc signal proportional to the pressure.

For more detailed information on the principle of operation of the transmitter, refer to TI 037-096.

Reference Documents

Table 1. Reference Documents

Document	Description
Dimensional Prints	
DP 020-217	Dimensional Print – IAP10 and IGP10 Pressure Transmitters with Pulp and Paper Process Connections
DP 020-218	Dimensional Print – IAP10 and IGP10 Pressure Transmitters with Sanitary Tri-Clamp Type Process Connections
DP 020-219	Dimensional Print – IAP10 and IGP10 Pressure Transmitters with Sanitary Mini Tank Spud Process Connections
DP 020-342	Dimensional Print – PSFLT Pressure Seals
DP 020-343	Dimensional Print – PSFPS and PSFES Pressure Seals
DP 020-344	Dimensional Print – IGP10 Gauge Pressure Transmitters (High Pressure)
DP 020-345	Dimensional Print – PSFAR Pressure Seals
DP 020-346	Dimensional Print – PSFAD Pressure Seals
DP 020-347	Dimensional Print – PSTAR Pressure Seals
DP 020-348	Dimensional Print – PSTAD Pressure Seals
DP 020-349	Dimensional Print – PSISR Pressure Seals
DP 020-350	Dimensional Print – PSISD Pressure Seals
DP 020-351	Dimensional Print – PSSCR Pressure Seals
DP 020-353	Dimensional Print – PSSCT Pressure Seals
DP 020-354	Dimensional Print – PSSSR Pressure Seals
DP 020-355	Dimensional Print – PSSST Pressure Seals
DP 020-447	Dimensional Print – IAP10 and IGP10 Gauge Pressure Transmitters
Parts Lists	
PL 009-006	Parts List – IAP10 Absolute and IGP10 Gauge Pressure Transmitters
PL 009-010	Parts List – IGP10 High Gauge Pressure Transmitter
Instructions	
MI 020-369	Instruction – Pressure Seals
MI 020-427	Instruction – Intrinsic Safety Connection Diagrams and Nonincendive Circuits
MI 022-138	Instruction – Bypass Manifolds - Installation and Maintenance

Table 1. Reference Documents (Continued)

Document	Description
Technical Information	
TI 37-75b	Technical Information – Transmitter Material Selection Guide
TI 037-097	Technical Information – Process Sealing of I/A Series Pressure Transmitters for use in Class 1, Zone 0, 1, and 2 Hazardous Locations

Transmitter Identification

See Figure 1 for transmitter data plate contents. For a complete explanation of the Model Number code, see the parts list. The firmware version is shown on the top line of the display when the transmitter is powered.

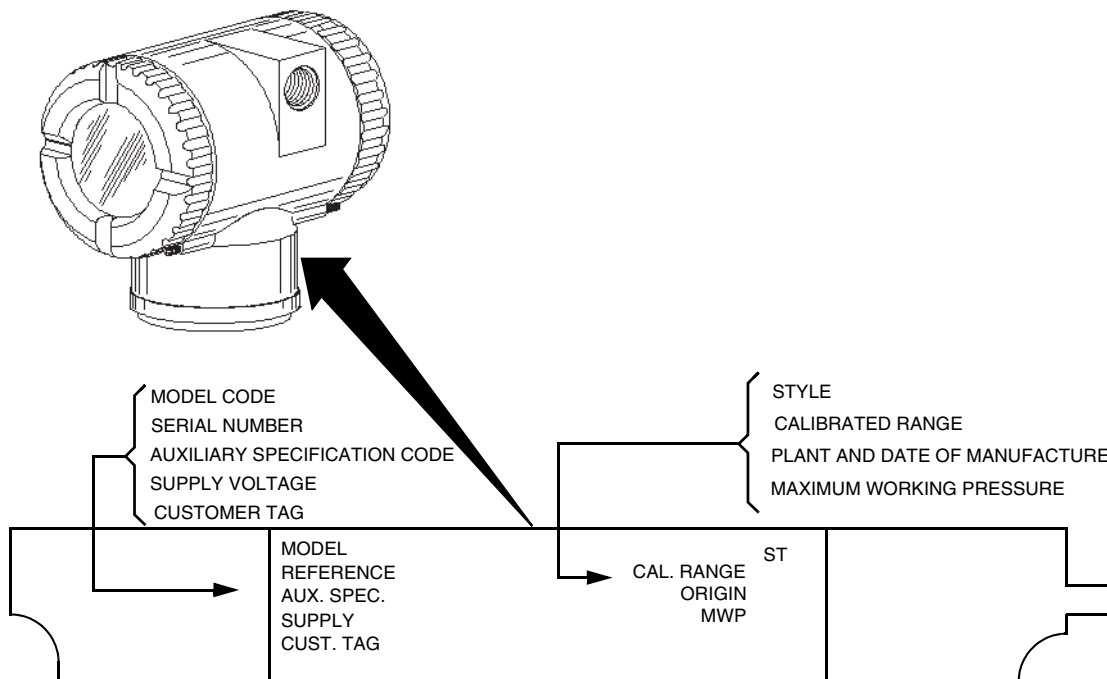


Figure 1. Transmitter Identification

Standard Specifications

Operative Limits

Influence	Operative Limits
Sensor Body Temperature ^(a) Silicone Fill Fluid Fluorinert Fill Fluid Neobee Fill Fluid pvdf Inserts	-46 and +121°C (-50 and +250°F) -29 and +121°C (-20 and +250°F) -18 and +121°C (0 and 250°F) -7 and +82°C (20 and 180°F)
Electronics Temperature With LCD Display	-40 and +85°C (-40 and +185°F) ^(b) -40 and +85°C (-40 and +185°F) ^(c)
Relative Humidity	0 and 100%
Supply Voltage	9 and 15.5 V dc
Source Impedance	0 and 2160 ohms
Output Load	1 and 10 megohms
Mounting Position	No Limit
Vibration	6.3 mm (0.25 in) double amplitude from 5 to 15 Hz with aluminum housing and from 5 to 9 Hz with 316 ss housing. 0 to 30 m/s (0 to 3 "g") from 15 to 500 Hz with aluminum housing and 0 to 10 m/s (0 to 1 "g") from 9 to 500 Hz with 316 ss housing.

(a) Refer to MI 020-369 for temperature limits with pressure seals.

(b) -40 and +75°C (-40 and +167°F) for transmitters with ATEX flameproof classification.

(c) Display updates are slowed and readability decreased below temperatures of -20°C (-4°F).

Span and Range Limits

Span Limit Code	Span Limits ^(a)	Range Limits ^(a)
C	7 and 210 kPa 28 and 840 inH ₂ O	0 and 210 kPa 0 and 840 inH ₂ O
D	0.07 and 2.1 MPa 10 and 300 psi 23 and 690 ftH ₂ O	0 and 2.1 MPa 0 and 300 psi 0 and 690 ftH ₂ O
E	0.7 and 21 MPa 100 and 3000 psi	0 and 21 MPa 0 and 3000 psi
F ^(b,c)	14 and 42 MPa 2000 and 6000 psi	0 and 42 MPa 0 and 6000 psi
G ^(b,c)	35 and 105 MPa 5000 and 15,000 psi	0 and 105 MPa 0 and 15,000 psi
H ^(b,c)	70 and 210 MPa 10,000 and 30,000 psi	0 and 210 MPa 0 and 30,000 psi
K ^(b,c)	17 and 52 MPa 2500 and 7500 psi	0 and 52 MPa 0 and 7500 psi

(a) Values listed are in absolute or gauge pressure units, as applicable.

(c) Not available with pressure seals.

(d) Applicable to IGP10 only

Maximum Overrange Pressure and Proof Pressure

Span Limit Code	Maximum Overrange Pressure ^(a)	Proof Pressure ^{(a)(c)}
C	0.31 MPa (45 psi)	827 kPa (120 psi)
D	3.1 MPa (450 psi)	8.27 MPa (1200 psi)
E	31 MPa (4500 psi)	79.3 MPa (11,500 psi)
F ^(b)	58 MPa (8400 psi)	152 MPa (22,000 psi)
G ^(b)	137 MPa (19,500 psi)	310 MPa (45,000 psi)
H ^(b)	231 MPa (33,000 psi)	567 MPa (81,000 psi)
K ^(b)	79 MPa (11,250 psi)	155 MPa (22,500 psi)

(a) Values listed are in absolute or gauge pressure units, as applicable.

(b) Applicable to IGP10 only.

(c) Meets ANSI/ISA Standard S82.03-1988

CAUTION

1. Exceeding the overrange pressure limit for the transmitter can cause damage to the transmitter, degrading its performance.
2. The transmitter may be nonfunctional after application of the proof pressure.

Suppressed Zero

For applications requiring a suppressed zero, the maximum span and the upper and lower range limits of the transmitter can not be exceeded.

Sensor Fill Fluid

Silicone Oil (DC 200) or Fluorinert (FC-43)

Neobee M-20 (for transmitters with sanitary process connection)

Not applicable with IGP10 Span Limit Codes G and H.

Minimum Allowable Absolute Pressure vs. Process Temperature

IGP10: Not Applicable.

IAP10: With Silicone Fill Fluid: up to 120 °C (250 °F) at full vacuum.

With Fluorinert Fill Fluid: Refer to Figure 2.

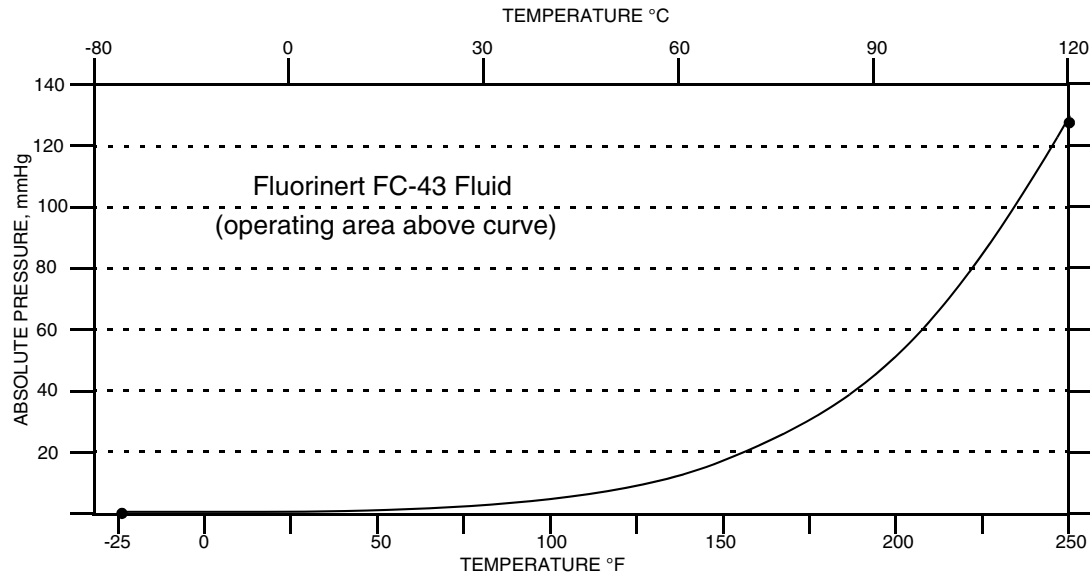


Figure 2. Minimum Allowable Absolute Pressure vs. Process Temperature with Fluorinert Fill Fluid

Mounting Position

The transmitter can be mounted in any orientation. It can be directly mounted to the process with either the direct connected or pipe mounted designs. The housing can be rotated up to one full turn to any desired position for access to adjustments, display, or conduit connections. See “Positioning the Housing” on page 26. The display (if present) can also be rotated in the housing to any of four different positions at 90° increments. See “Positioning the Display” on page 27.

NOTE

Position effect zero shift for all calibrated spans can be eliminated by readjusting zero output after installation.

Approximate Mass

IAP10, IGP10:	1.5 kg (3.3 lb)
With Optional 316 ss Housing:	Add 1.1 kg (2.4 lb)
With Pressure Seals:	Varies with seal used

Process Connections

IAP10 and IGP10 transmitters can be directly connected to the process using its 1/2 NPT external thread or optional G 1/2 B connection. If the optional mounting bracket is used, the transmitter can be connected to the process via the 1/2 NPT external thread, 1/4 NPT internal thread, or optional G 1/2 B connection.

Using the optional mounting bracket, IGP10 transmitters with Span Limit Code G can connect to the process via the 1/4 NPT internal thread, G 1/2 B external thread, or Autoclave F-250-C with 9/16-18 internal gland thread.

Using the optional mounting bracket, IGP10 transmitters with Span Limit Code H are connected using the Autoclave F-250-C with 9/16-18 internal gland thread.

IAP10 and IGP10 Transmitters with a sanitary process connection connect to the process via a Tri-Clamp type process connector, a threaded connection, or a mini tank spud.

IAP10 and IGP10 Transmitters with a pulp and paper process connection connect to the process via a threaded or sleeve type connection.

Process Wetted Materials

IAP10 or IGP10

Diaphragm:	Co-Ni-Cr, 316L ss, or Hastelloy C
Process Connectors:	316L ss or Hastelloy C
IGP10 with Span Limit Code G:	15-5 ss or Inconel X-750
IGP10 with Span Limit Code H:	13-8 Mo ss
Pressure Seals:	Refer to MI 020-369
Sanitary Process Connections:	316L ss, Hastelloy C
Pulp and Paper Process Connections	316L ss, Hastelloy C

Reference Pressure Side (Low Pressure Side) Materials

IGP10: Silicon, Pyrex, RTV, 316L ss, and Ceramic

Not applicable with IGP10 Span Limit Codes G and H

Process Pressure and Temperature Limits for Pressure Seals

Refer to MI 020-369

Electrical Connections

Field wires enter through 1/2 NPT, PG 13.5, or M20 threaded **entrances** on either side of the electronics housing. Leads terminate under screw terminals and washers on the terminal block in the field terminal compartment. To maintain RFI/EMI, environmental, and explosionproof ratings, unused conduit connection must be plugged with metal plug (provided), inserted to five full threads for 1/2 NPT connections; seven full threads for M20 and PG 13.5 connections.

Field Wiring Reversal

Accidental reversal of field wiring will not damage the transmitter, provided the current is limited to 1 A or less by active current limiting or loop resistance. Sustained currents of 1 A will not damage the electronics module or sensor but could damage the terminal block assembly and external instruments in the loop.

Adjustable Damping

The transmitter response time is normally 1.0 second or the electronically adjustable setting of 0.00 (none), 2, 4, or 8, seconds, whichever is greater, for a 90% recovery from an 80% input step as defined in ANSI/ISA S51.1.

Output Signal

1 to 5 V dc linear.

Zero and Span Adjustments

Adjustable at the transmitter using the local display. An optional external self-contained moisture sealed pushbutton assembly allows local resetting of zero without removing housing cover.

Powerup Time

Less than 2.0 seconds for output to reach the first valid measurement, then at the electronic damping rate to reach the final measured variable value.

Supply Current

Power supply must be capable of providing at least 3 mA current.

Electrical Ground Connections

The transmitter is equipped with an internal ground connection within the field wiring compartment and an external ground connection at the base of the electronics housing. To minimize galvanic corrosion, place the wire lead or terminal between the captive washer and loose washer on the external ground screw. If shielded cable is used, earth (ground) the shield at the field enclosure **only**. Do **not** ground the shield at the transmitter.

Product Safety Specifications

DANGER

To prevent possible explosions and to maintain flameproof, explosionproof, and dust-ignitionproof protection, observe applicable wiring practices. Plug unused conduit opening with the provided metal pipe plug. Both plug and conduit must engage a minimum of five full threads for 1/2 NPT connections; seven full threads for M20 and PG 13.5 connections.

WARNING

To maintain IEC IP66/IP68 and NEMA Type 4X protection, the unused conduit opening must be plugged with the metal plug provided. Use a suitable thread sealant on both conduit connections. In addition, the threaded housing covers must be installed. Turn covers to seat the O-ring into the housing and then continue to hand tighten until the cover contacts the housing metal-to-metal.

NOTE

1. These transmitters have been designed to meet the electrical safety description listed in Table 2. For detailed information or status of testing laboratory approvals/certifications, contact Global Customer Support.
2. Wiring restrictions required to maintain electrical certification of the transmitter are provided in these instructions. See “Wiring” on page 28.

Table 2. Electrical Safety Specifications

Agency Certification, Types of Protection, and Area Classification	Application Conditions	Electrical Safety Design Code
ATEX flameproof: II 2 GD EEx d IIC, Zone 1.	SIRA 04ATEX1349 Temperature Class T6 T85°C Ta = -40 to +75°C	D
CSA intrinsically safe for Class I, Division 1, Groups A, B, C, and D; Class II, Division 1, Groups E, F, and G; Class III, Division 1. Also, Zone certified intrinsically safe Ex ia IIC and energy limited Ex nA II.	Connect per MI 020-427. Temperature Class T6 at 40°C (104°F), and T4A at 85°C (185°F) maximum ambient. Temperature Class T4 at 40°C (104°F), and T3 at 85°C (185°F) maximum ambient.	C
CSA explosionproof for Class I, Division 1, Groups B, C, and D; dust-ignitionproof for Class II, Division 1, Groups E, F, and G; Class III, Division 1.	Maximum Ambient Temperature 85°C (185°F).	
CSA for Class I, Division 2, Groups A, B, C, and D; Class II, Division 2, Groups F and G; Class III, Division 2.	Temperature Class T6 at 40°C (104°F) and T4A at 85°C (185°F) maximum ambient.	
CSA field device zone certified flameproof Ex d IIC. Also, all certifications of Code C above.	Maximum Ambient Temperature 85°C (185°F).	B
CSA intrinsically safe for Class I, Division 1, Groups A, B, C, and D; Class II, Division 1, Groups E, F, and G; Class III, Division 1. Also, Zone certified intrinsically safe Ex ia IIC and energy limited Ex nA II.	Connect per MI 020-427. Temperature Class T6 at 40°C (104°F), and T4A at 85°C (185°F) maximum ambient. Temperature Class T4 at 40°C (104°F), and T3 at 85°C (185°F) maximum ambient.	L (IGP10 only)
CSA for Class I, Division 2, Groups A, B, C, and D; Class II, Division 2, Groups F and G; Class III, Division 2.	Temperature Class T6 at 40°C (104°F) and T4A at 85°C (185°F) maximum ambient.	
FM intrinsically safe for Class I, Division 1, Groups A, B, C, and D; Class II, Division 1, Groups E, F, and G; Class III, Division 1. Also, Zone certified intrinsically safe AEx ia IIC.	Connect per MI 020-427. Temperature Class T4A at 40°C (104°F), and T4 at 85°C (185°F) maximum ambient. Temperature Class T4 at 85°C (185°F) maximum ambient.	F
FM explosionproof for Class I, Division 1, Groups B, C, and D; dust-ignitionproof for Class II, Division 1, Groups E, F, and G; Class III, Division 1.	Temperature Class T6 at 80°C (176°F) and T5 at 85°C (185°F) maximum ambient.	
FM nonincendive for Class I, Division 2, Groups A, B, C, and D; Class II, Division 2, Groups F and G; Class III, Division 2.	Temperature Class T4A at 40°C (104°F) and T4 at 85°C (185°F) maximum ambient.	
FM field device zone certified flameproof AEx d IIC. Also, all certifications of Code F above.	Temperature Class T6 at 75°C (167°F) maximum ambient.	G

Table 2. Electrical Safety Specifications (Continued)

Agency Certification, Types of Protection, and Area Classification	Application Conditions	Electrical Safety Design Code
FM intrinsically safe for Class I, Division 1, Groups A, B, C, and D; Class II, Division 1, Groups E, F, and G; Class III, Division 1. Also, Zone certified intrinsically safe AEx ia IIC.	Connect per MI 020-427. Temperature Class T4A at 40°C (104°F), and T4 at 85°C (185°F) maximum ambient. Temperature Class T4 at 85°C (185°F) maximum ambient.	R (IGP10 only)
FM nonincendive for Class I, Division 2, Groups A, B, C, and D; Class II, Division 2, Groups F and G; Class III, Division 2.	Temperature Class T4A at 40°C (104°F) and T4 at 85°C (185°F) maximum ambient.	
IECEX flameproof: Ex d IIC, Zone 1.	IECEx SIR 05.0003X Temperature Class T6, Ta = -40 to +75°C	V

ATEX and IECEx Warnings

Do not open while circuits are alive.

ATEX Compliance Documents

EN 50014: 1997 (inc amendments A1 and A2)
 EN 50018: 2000 (inc amendment A1)
 EN 50281-1-1: 1998

IECEX Compliance Documents

IEC 60079-0 (Edition 3.1): 2000
 IEC 60079-1 (Edition 5): 2003

2. Installation

⚠ CAUTION

To avoid damage to the transmitter sensor, do not use any impact devices, such as an impact wrench or stamping device, on the transmitter.

— NOTE

1. The transmitter should be mounted so that any moisture condensing or draining into the field wiring compartment can exit through one of the two threaded conduit connections.
 2. Use a suitable thread sealant on all connections.
-

Transmitter Mounting

The IAP10 and IGP10 transmitters with the 1/2 NPT external thread can be directly connected to the process or mounted to a vertical or horizontal pipe or a surface using the optional mounting set. See Figure 3.

For dimensional information, refer to DP 020-447. For IGP10 transmitters with Span Limit Code G, H, or K, refer to DP 020-344.

— NOTE

1. Do **not** directly mount the IAP10 and IGP10 transmitters to the process using the 1/4 NPT internal thread. This thread should only be used to connect to the process when the transmitter is mounted with an optional (-M1 through -M6) mounting set.
 2. Do not directly mount IGP10 transmitters with Span Limit Code G or H. Use the optional mounting set as shown in Figure 3.
 3. Do not mount IAP10 or IGP10 transmitters using the conduit connection and optional mounting set when vibration conditions exceed 20 m/s^2 (2 “g”).
 4. If the transmitter is not installed in the vertical position, readjust the zero output to eliminate the position zero effect. Be aware that an absolute pressure transmitter cannot be zeroed by venting the transmitter to atmosphere.
-

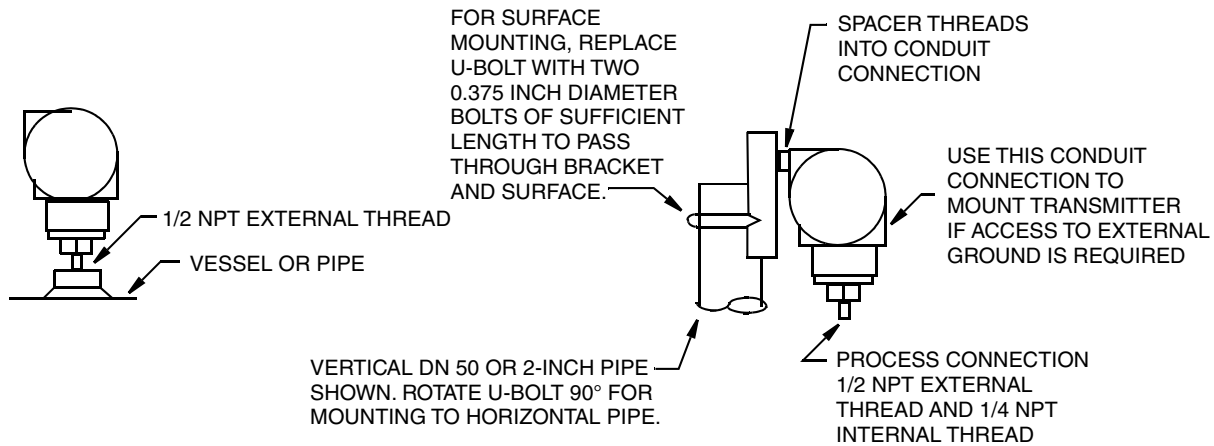


Figure 3. IAP10 and IGP10 Transmitter Mounting

Sanitary Process Connection

The IAP10 and IGP10 transmitters with a sanitary process connector employ a Tri-Clamp type connection or mini tank spud seal. Install the transmitter as shown in Figures 4 and 5. For dimensional information, see the following documents:

Tri-Clamp Type Connector: DP 020-218

Mini Tank Spud Connector: DP 020-219

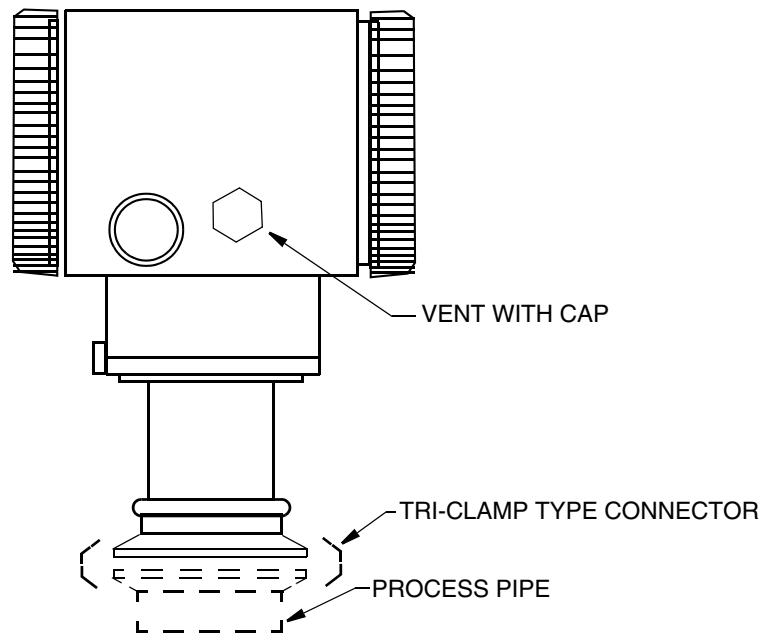


Figure 4. Mounting of Transmitter with Sanitary Tri-Clamp Type Connection

NOTE

1. If the transmitter is to be mounted horizontally (side of a tank), the housing should be oriented so that the vent is self draining. **Do not mount the vent facing up.**
2. If the vent is to face down, it is recommended that the protective cap be removed.
3. If the vent clogs, replace it with Part Number D0186DQ (W.L.Gore part number PMF100318). It is recommended that spare vents be stocked and replaced at a predetermined interval as part of preventive maintenance. When installing a new vent, the applied torque should be 0.6 to 0.8 N•m (5 to 7 in•lb).
4. If the transmitter is subject to routine wash down such as in typical sanitary applications and the vent is orientated so that it is self draining, the vent will stay clear and longer intervals between preventive maintenance may be realized.
5. If the vent becomes clogged, the resulting pressure measurement error may be as much as 1.5 inH₂O per degree C change in temperature. This error is positive with decreasing temperature and negative with increasing temperature.

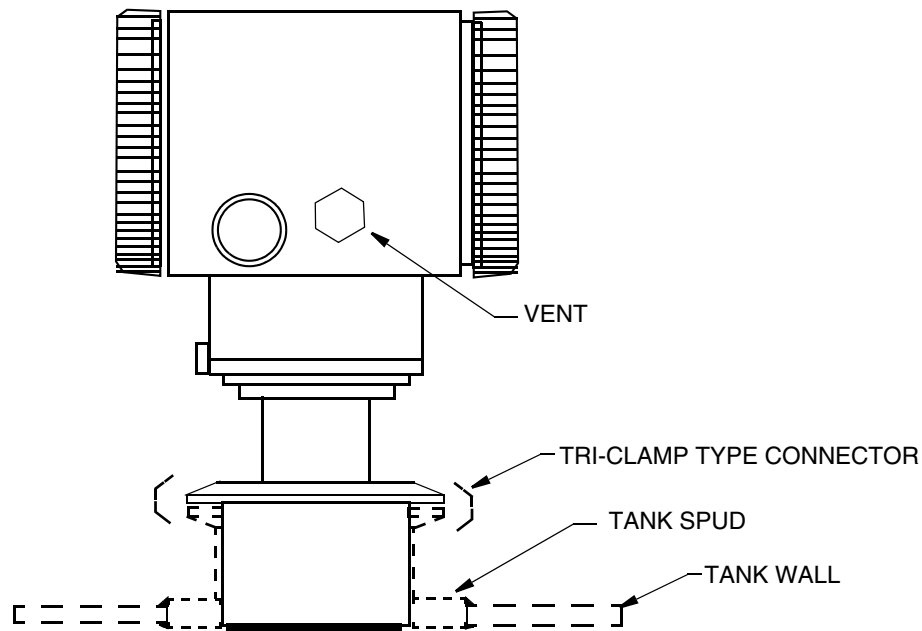


Figure 5. Mounting of Transmitter with Sanitary Mini Tank Spud Seal

The tank spud must be welded into a hole cut in the tank as follows:

1. Cut a hole into the process vessel to accept the spud. The spud should fit snugly and uniformly. The nominal diameter of the spud is: 3.73 inch (94.7 mm). To assure that the seal is always covered by process fluid, the top of the hole should be below the minimum measurement level.
2. Position the spud mounting ring so that it aligns as close as possible with the inside wall of the tank and that the weep hole is at the bottom.
3. Tack weld the spud mounting ring to the outside of the tank in four places.

4. Weld the spud mounting ring to the inner surface of the tank per the following notes.

NOTE

1. Spud is 316 stainless steel. Use compatible welding rod. Do not distort spud mounting ring by using excessive heat.
 2. Weld the spud mounting ring in sections as indicated in Figure 6.
 3. After each section is welded, cool right away with water until the temperature is less than 700°F (370°C) before welding the next section.
-
5. Grind the weld smooth so that the surface is free from irregularities where dirt can lodge.
 6. Outer surface can be welded if desired after inner weld is completed.

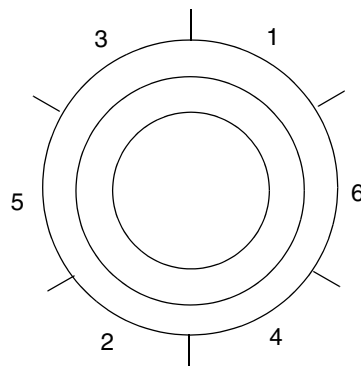


Figure 6. Welding Procedure

Pulp and Paper Process Connection

The IAP10 and IGP10 transmitters with a pulp and paper process connector are available in two designs - sleeve type and threaded type. Install the transmitter as explained below. For dimensional information, see DP 020-217.

Sleeve Type Connector

1. Cut a hole into the process vessel to accept the weld spud. The spud should fit snugly and uniformly. The nominal diameter of the spud is:
For nominal 1 inch connector: 1.32 inch (33.4 mm)
For Nominal 1 1/2 inch connector: 1.90 inch (48.3 mm)
2. Position the sleeve into the hole so that it aligns as close as possible with the inside wall of the vessel
3. Tack weld using the welding sequence shown in Figure 6. Cool each section with water until the temperature is below 700°F (370°C) before proceeding to the next section.
4. Weld the circumference of the sleeve using compatible stainless steel welding rod.

— NOTE

The welder should meet the requirements of ANSI B31.3, ASME Section IX or other codes, if applicable.

- Lubricate the O-ring with appropriate lubricant and install it into the sleeve, ensuring that it is properly seated.

— NOTE

If the gasket is not properly seated, a process leak may occur.

- Insert the transmitter sensor into the sleeve and hold it in place with cap screws.

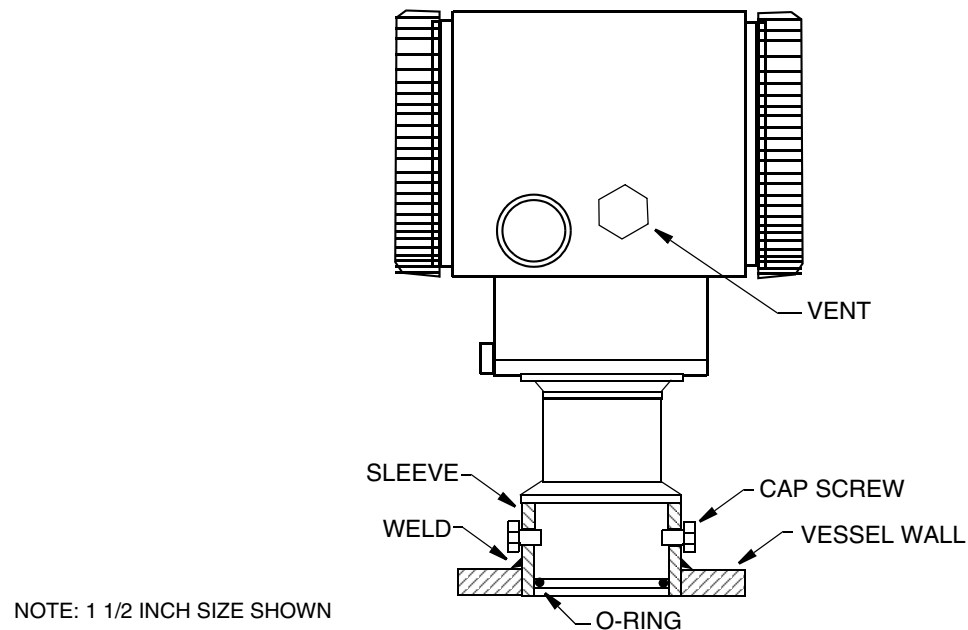


Figure 7. Mounting of Transmitter with Sleeve Type Pulp and Paper Process Connection

Threaded Type Connector

- Cut a hole into the process vessel to accept the weld spud. The spud should fit snugly and uniformly. The nominal diameter of the spud is:
 For nominal 1 inch connector: 1.50 inch (38.1 mm)
 For nominal 1 1/2 inch connector: 2.38 inch (60.3 mm)
 For nominal 1 1/2 inch connector for Ametek spud: 1.99 inch (50.5 mm)
 Position the connector into the hole so that it aligns as close as possible with the inside wall of the vessel
- Tack weld using the welding sequence shown in Figure 6. Cool each section with water until the temperature is below 700°F (370°C) before proceeding to the next section.

— NOTE

Using a heat sink during this operation is recommended.

1 inch size: Part Number N1214YS

1 1/2 inch size: Part Number N1214YR

3. Weld the circumference of the connector using compatible stainless steel welding rod.

— NOTE

The welder should meet the requirements of ANSI B31.3, ASME Section IX or other codes, if applicable.

4. After the connector has cooled, remove the heat sink.
5. Lubricate the gasket with appropriate lubricant and install it into the connector, ensuring that it is properly seated.

— NOTE

If the gasket is not properly seated, a process leak may occur.

6. Thread the sensor into the connector hand tight. Then tighten approximately 1/8 turn more.

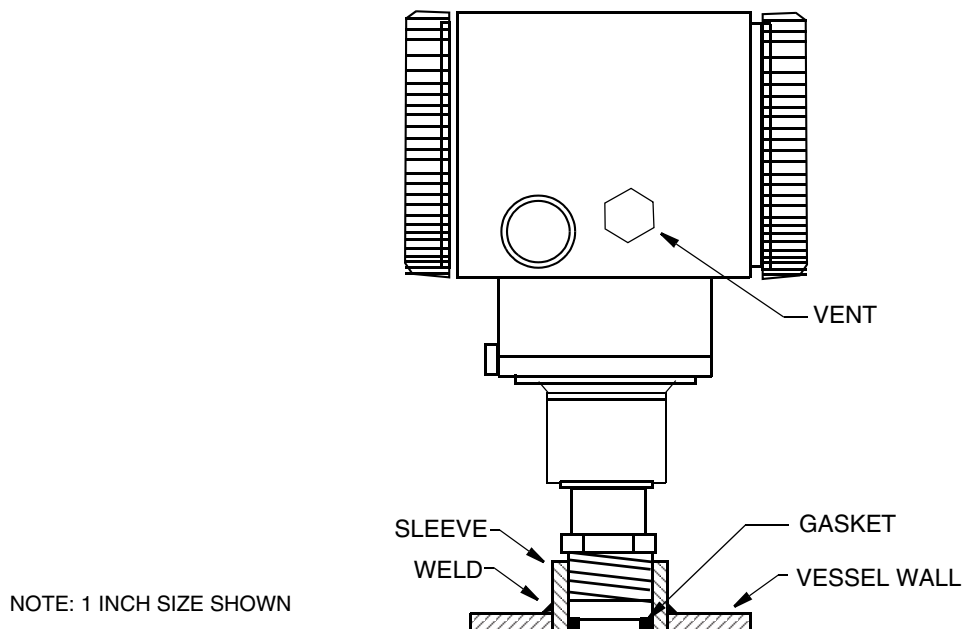


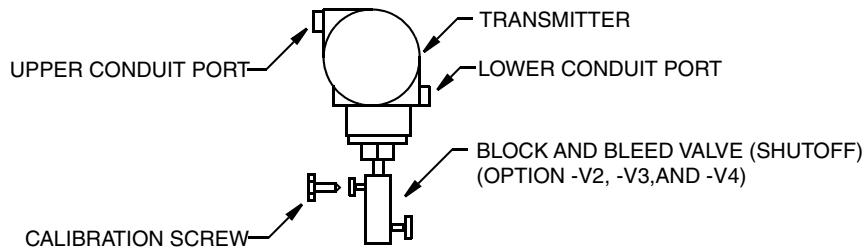
Figure 8. Mounting of Transmitter with Threaded Type Pulp and Paper Process Connection

Typical Transmitter Piping

Figure 6 shows a typical piping application. Calibration supply pressure can be applied via a calibration screw. The lower conduit port can be used as a drain for moisture buildup in terminal compartment.

NOTE

1. Use of snubbers in installations prone to high levels of fluid pulsations is recommended.
2. IAP10 and IGP10 Transmitters mounted directly to process piping or a pressure vessel, could require the use of a shutoff valve (shown) to comply with the requirements of ASME Power Piping Code B31.1 and Chemical and Petroleum Piping Code B31.3.



NOTE: Block and Bleed Valve Maximum Pressure
 40 MPa (6000 psi at 38°C) (100°F)
 25 MPa (4000 psi at 250°C) (400°F)
 Calibration Screw Maximum Pressure
 0.7 MPa (100 psi with Poly-Flo Fitting)
 (F0101ES)

Figure 9. Typical Transmitter Piping

For hot process applications above the operative limits of your transmitter [121°C (250°F) for silicone fill fluid or 82°C (180°F) for fluorinert fill fluid], such as steam, additional piping is required to protect the transmitter from the hot process. See Figure 10. The piping is filled with water or process fluid. Mount the transmitter below the pressure connection at the pipe. Although the transmitter is shown mounted vertically, you can also mount it horizontally unless sediment is present. The calibration tee is not required if a calibration screw is used for field calibrations.

If trapped vapor pockets cannot be tolerated in a liquid service and a horizontal process connection is used, install a pipe elbow and vertically position the transmitter with the housing **below** the process connection.

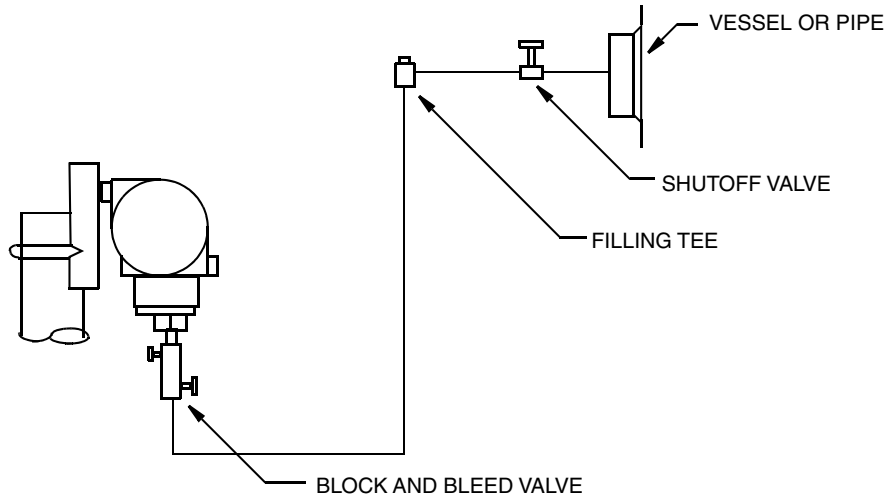


Figure 10. Hot Process Piping

Positioning the Housing

The transmitter housing (topworks) can be rotated up to one full turn in the counterclockwise direction when viewed from above for optimum access to adjustments, display, or conduit connections. Housings have either an anti-rotation screw or a retention clip that prevent the housing from being rotated beyond a safe depth of housing/sensor thread engagement.

⚠ WARNING

If the electronics housing is removed for maintenance, it must be hand tightened to the bottom of the threads, but not over-tightened upon reassembly. See “Removing and Reinstalling the Housing Assembly” on page 50.

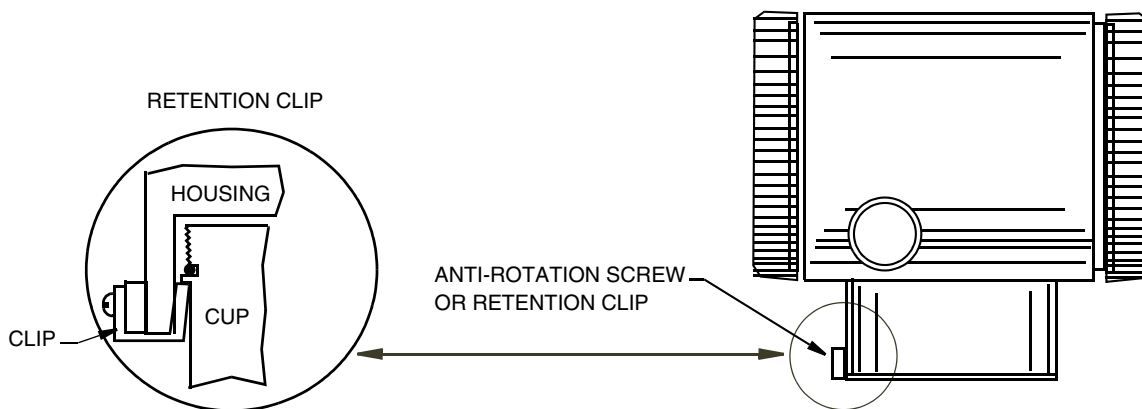


Figure 11. Housing Screw or Clip Location

Positioning the Display

The display can be rotated within the housing to any of four positions at 90° increments. To do this, refer to Figure 12 and perform the following:

1. Turn off power source to the transmitter.
2. Screw in the cover lock (if present) and remove the electronics compartment cover by rotating it counterclockwise.
3. Remove the electronics module by unscrewing the two screws closest to the sides of the transmitter and pulling out the module.
4. If turning the display 180°, turn and return the module to the housing by reversing Step 3.
5. If turning the display 90° in either direction:
 - a. Remove the two (2) plastic buttons (plugs) by pushing them out from the backside of the module.

NOTE
Plastic buttons were not provided on some early versions of the electronics module.

- b. Unscrew the two (2) screws from the module and then rethread them back into the module at 90° from their original position.
 - c. Insert the two (2) plastic buttons into the two open screw holes in the module. (To order plastic buttons for earlier versions of the electronics modules or for replacement, see appropriate Parts List listed in “Reference Documents” on page 9).
 - d. Return the module to the housing by reversing Step 3.
6. Reinstall the cover onto the housing by rotating it clockwise to seat the O-ring into the housing and then continue to hand tighten until the cover contacts the housing metal-to-metal. If cover locks are present, lock the cover per the procedure described in “Cover Locks” below.
7. Restore power to transmitter.

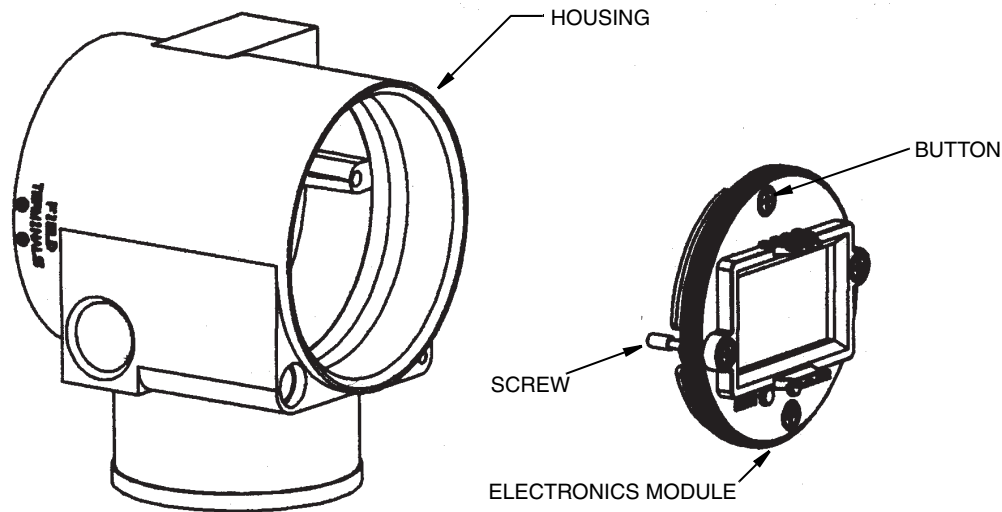


Figure 12. Positioning Display

Cover Locks

Electronic housing cover locks, shown in Figure 13, are provided as standard with certain agency certifications and as part of the Custody Transfer Lock and Seal option. To lock the covers, unscrew the locking pin until approximately 6 mm (0.25 in) shows, lining up the hole in the pin with the hole in the housing. Insert the seal wire through the two holes, slide the seal onto the wire ends and crimp the seal

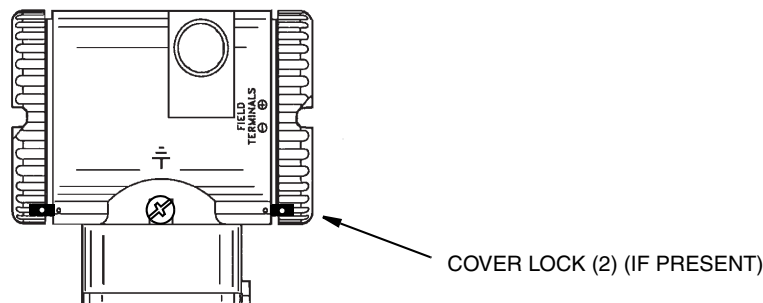


Figure 13. Cover Lock Location

Wiring

The installation and wiring of your transmitter must conform to local code requirements.

⚠ WARNING

ATEX requires that when the equipment is intended to be used in an explosive atmosphere caused by the presence of combustible dust, cable entry devices and

blanking elements shall provide a degree of ingress protection of at least IP6X. They shall be suitable for the conditions of use and correctly installed.

NOTE

The use of transient/surge protection in installations prone to high levels of electrical transients and surges is recommended.

Accessing Transmitter Field Terminals

For access to the field terminals, thread the cover lock (if present) into the housing to clear the threaded cover and remove the cover from the field terminals compartment as shown in Figure 14. Note that the embossed letters FIELD TERMINALS identify the proper compartment.

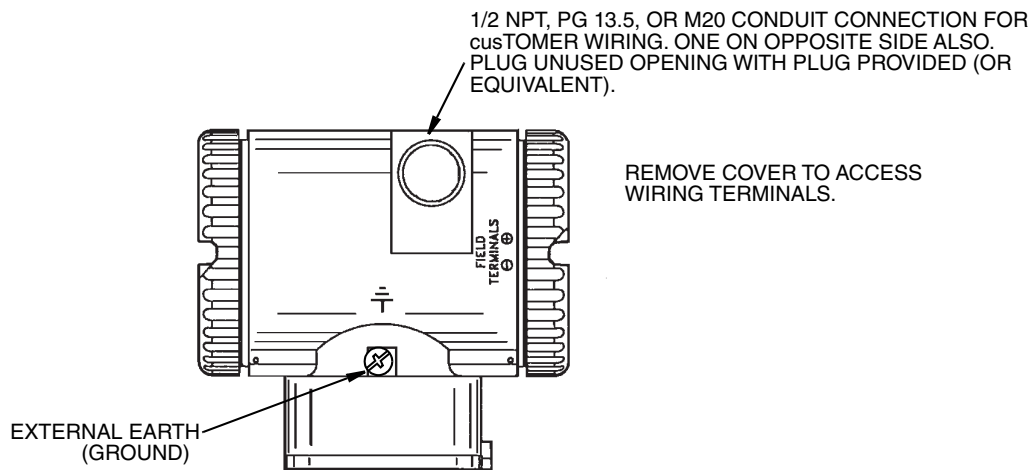


Figure 14. Accessing Field Terminals

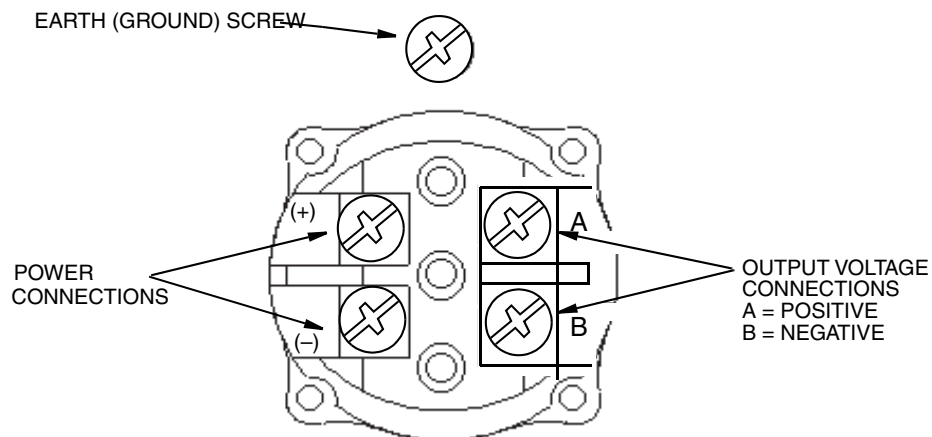


Figure 15. Identification of Field Terminals

Wiring the Transmitter to a Control Loop

The transmitter is equipped with an internal ground connection within the field wiring compartment and an external ground connection at the base of the electronics housing. To minimize galvanic corrosion, place the wire lead or terminal between the captive washer and loose washer on the external ground screw. If shielded cable is used, earth (ground) the shield at the field enclosure **only**. Do **not** ground the shield at the transmitter.

Power Supply Voltage and Current

The power supply voltage across the transmitter input terminals can be any value between 9 and 15.5 V dc and the power supply must be capable of supplying 3 mA of current under all conditions. Verify that the power supply loop load resistance and source impedance allow at least 9 V dc across the transmitter input terminals with a current draw of 3 mA.

Output Load

The receiver input impedance can be any value between 1 and 10 M Ω .

Three- or Four-Wire Connections

The transmitter is supplied with a four-wire terminal block with the two negative terminals (- and B) electrically connected internally. This means that the transmitter can be wired with either three wires for wiring economy or four wires for maximum accuracy.

For relatively short wiring runs having low resistance, three-wire connections as shown in Figure 16 can be used to minimize wiring costs. However, a voltage drop in the common lead carrying the power supply current causes an error in the 1 to 5 V dc signal.

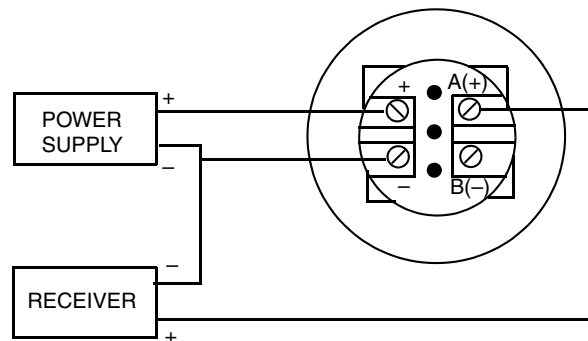


Figure 16. Three-Wire Connection

For wiring runs with high resistance (due to long lengths or other reasons) or for maximum accuracy, a four-wire connection as shown in Figure 17 can be used to provide input-output isolation. With four-wire configuration, voltage drop in the power supply loop does not affect measurement accuracy.

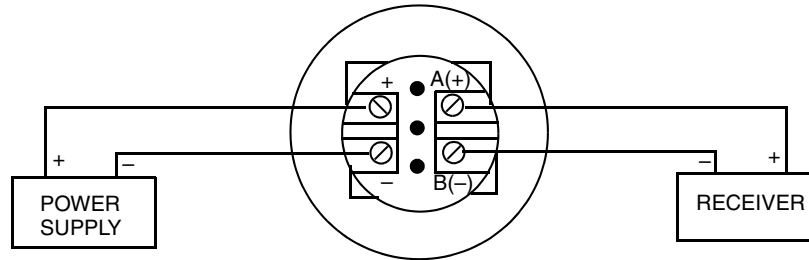


Figure 17. Four-Wire Connection

To wire a transmitter, proceed with the following steps.

1. Screw in cover lock (if present) and remove the field terminals compartment cover by rotating it counterclockwise.
2. Run the supply voltage and output wires (0.50 mm² or 20 AWG, typical) through one of the transmitter conduit connections. If four-wire connection is used, use twisted single pair on the output side to protect the 1 to 5 V dc output from electrical noise.

NOTE

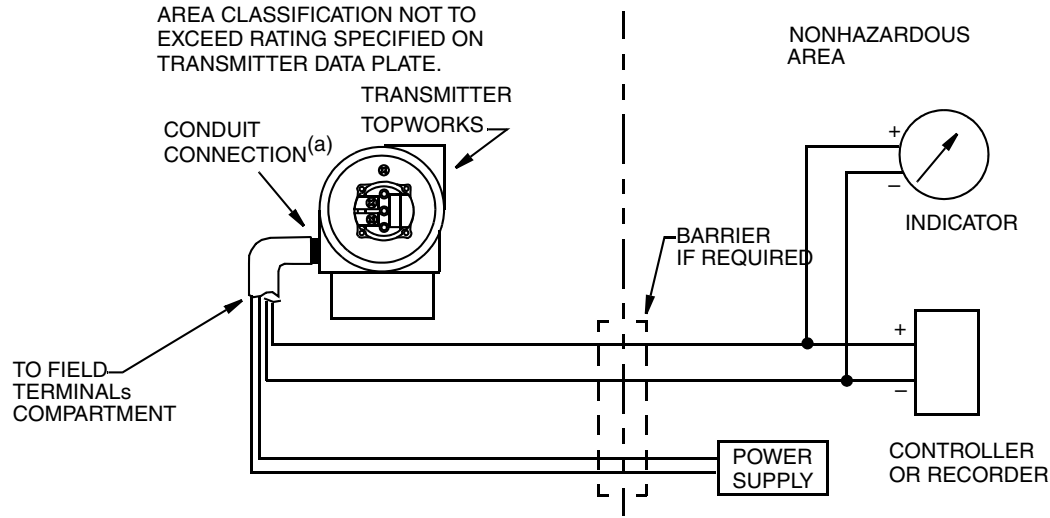
Do not run transmitter wires in same conduit as mains (ac power) wires.

3. If shielded cable is used, earth (ground) the shield at the receiver **only**. Do **not** ground the shield at the transmitter. Cut and/or tape the shield so it cannot contact the metal housing.
4. Plug unused conduit connection with the 1/2 NPT, PG 13.5 or M20 metal plug provided (or equivalent). To maintain specified explosionproof and dust-ignitionproof protection, plug must engage a **minimum** of five full threads for 1/2 NPT connections; seven full threads for M20 and PG 13.5 connections. Thread sealant is recommended.
5. Connect an earth (ground) wire to the earth terminal in accordance with local practice.

CAUTION

If the output circuit must be earthed (grounded), it is preferable to do so at the negative terminal of the receiver. To avoid errors resulting from earth loops or the possibility of short-circuiting groups of instruments in a loop, there should be only one earth in a loop.

6. Connect the power supply and receivers (such as controllers, recorders, indicators) as shown in Figures 16 and 17. Typical loop wiring is shown in Figure 18.



(a) Run conduit down to avoid moisture buildup in field terminals compartment.

Figure 18. Loop Wiring (Four-Wire Connection Shown)

7. Reinstall the cover onto the housing by rotating it clockwise to seat the O-ring into the housing and then continue to hand tighten until the cover contacts the housing metal-to-metal. If cover locks are present, lock the cover per the procedure described in “Cover Locks” on page 28.
8. If wiring additional transmitters to the same power supply, repeat Steps 1 through 7 for each additional transmitter. The setup with multiple transmitters connected to a single power supply is shown in Figure 19.

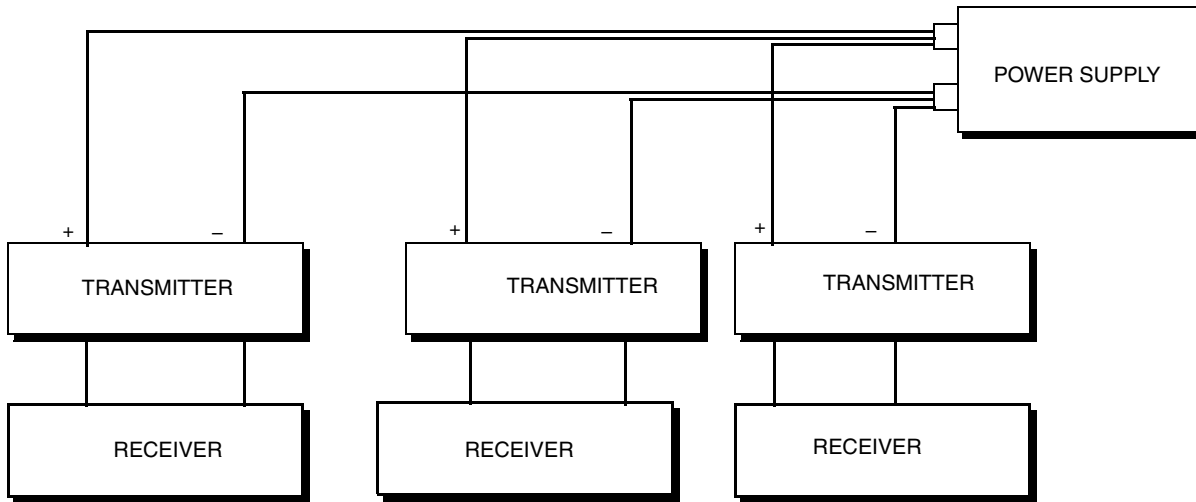


Figure 19. Wiring Several Transmitters to a Common Power Supply (Four-Wire Connection Shown)

9. For installations with long runs, using two twisted-pair cables with one pair connected to the power supply terminals and one pair connected to the output terminals is recommended. The two twisted pairs can be in individual shields or a common shield with the shield connected to the receiver. The shield must **not** be connected to the transmitter.

3. Operation Via Local Display

A local display, as shown in Figure 20, has two lines of information. The upper line is a 5-digit numeric display (4-digit when a minus sign is used); the lower line is a 7-digit alphanumeric display. The display provides local indication of measurement information and a means for performing calibration and configuration, viewing the database, and testing the display via a 2-button (Next and Enter) keypad. You can access these operations by means of a multi-level menu system. Entry to the Mode Select menu is made (from normal operating mode) by pressing the Next button. You can exit this menu, restore your prior calibration or configuration, and return to the normal operating mode at any time by going to Cancel and pressing the Enter button.

The following items can be selected from this menu: Calibration (CALIB); Configuration (CONFIG); and Testing the display (TST DSP). The top level structure diagram is shown in Figure 21.

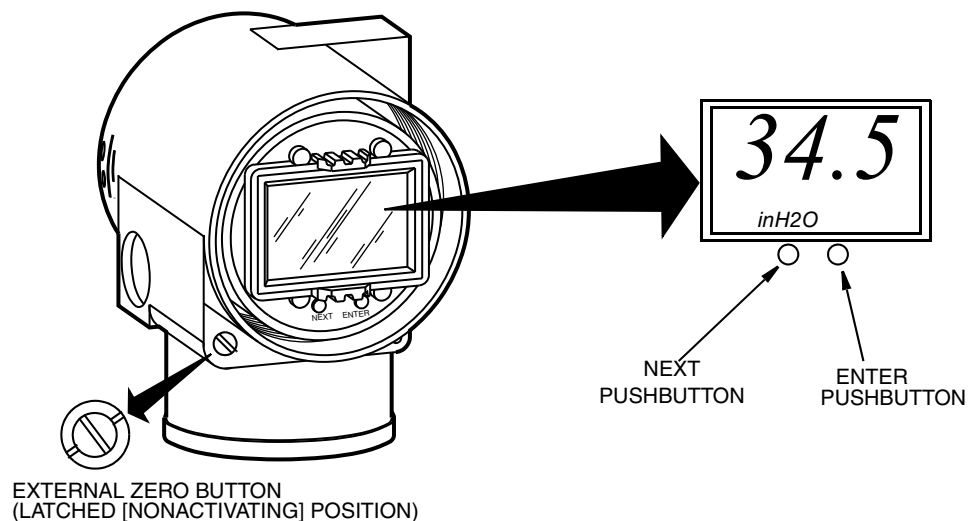


Figure 20. Local Display Module

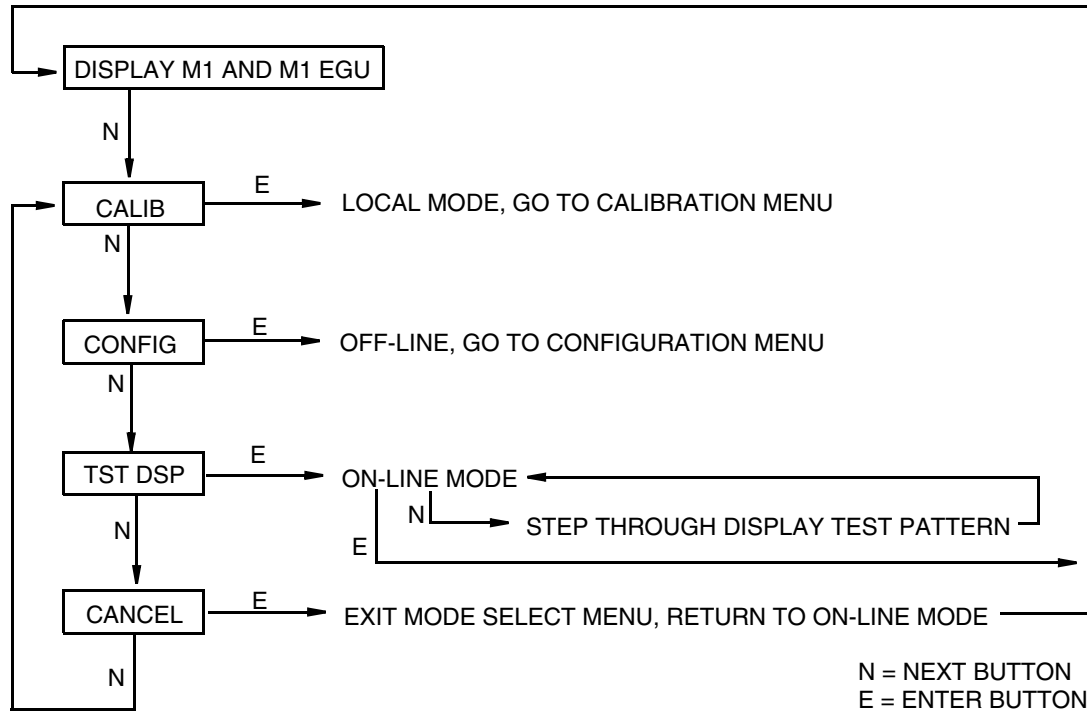


Figure 21. Top Level Structure Diagram

Testing the Display

You can access the Test Display mode by the same multi-level menu system that was used to enter Calibration and Configuration mode. Entry to the Mode Select menu is made (from normal operating mode) by pressing the **Next** button. The display reads **CALIB**, the first item on the menu. Press the **Next** button two times to get to the third item on the menu, **TST DSP**. Acknowledge your choice of this selection by pressing the **Enter** button. The display shows the first test segment pattern. You can step through the five patterns by repeated use of the **Next** button. You can abort the test at any time by pressing the **Enter** button. The five patterns are shown in Figure 22.

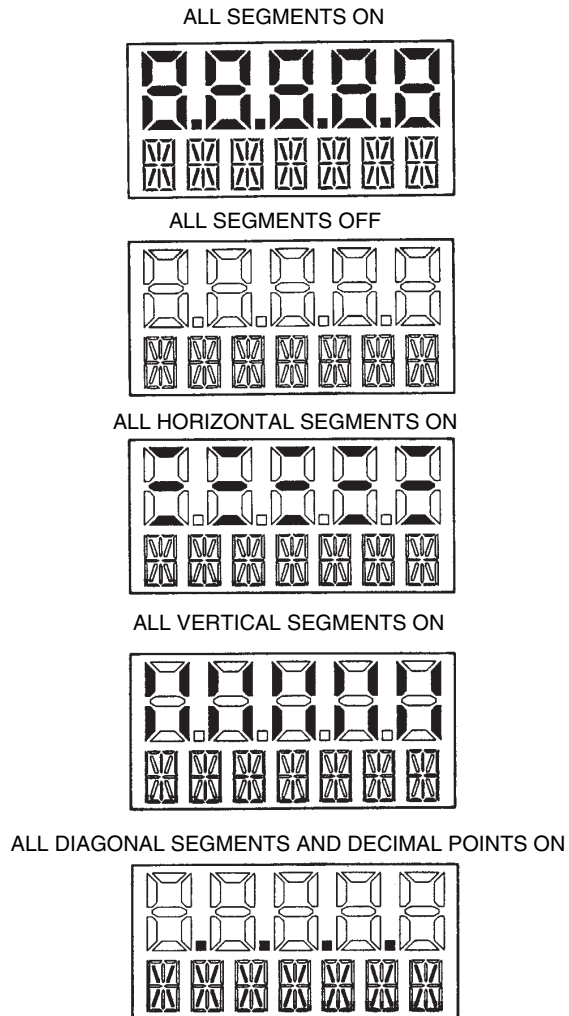


Figure 22. Display Test Segment Patterns

Error Messages

Table 3. Operation Error Messages

Message	Interpretation
OVR RNG	Normalized calculation result greater than 2% above calibrated span. a. Overrange input; correct input condition. b. Bad span calibration; recalibrate span. c. Bad sensor connection; check electronics module to sensor connection. d. Defective or damaged sensor; replace sensor.
UND RNG	Normalized calculation result greater than 2% below calibrated zero. a. Underrange input; correct input condition. b. Bad zero calibration; recalibrate zero. c. Bad sensor connection; check electronics module to sensor connection. d. Defective or damaged sensor; replace sensor.
FDB ERR	CRC error detected in Factory Database on startup. a. Incorrect user database; replace sensor. b. Bad sensor connection; check electronics module to sensor. c. Defective or damaged sensor; replace sensor.
UDB ERR	CRC error detected in User Database on startup. a. Incorrect user database; reconfigure/recalibrate transmitter. b. Bad sensor connection; check electronics module to sensor. c. Defective or damaged sensor; replace sensor.
BAD IN1	Normalized raw pressure input outside of limits. a. Extreme overrange or underrange input; correct input condition. b. Bad calibration; recalibrate transmitter. c. Bad sensor connection; check electronics module to sensor. d. Defective or damaged sensor; replace sensor.
BAD IN3	Normalized raw temperature input outside of limits. a. Bad sensor connection; check electronics module to sensor. b. Defective or damaged sensor; replace sensor.
BAD KEY	Invalid keypress detected. a. Pressing Enter when transmitter is on-line. b. Pressing Next or Enter while WAIT is displayed; try again after WAIT message has cleared.

4. Calibration

NOTE

1. For best results in applications where high accuracy is required, rezero the transmitter output once it has stabilized at the final operating temperature.
 2. Zero shifts resulting from position effects and/or static pressure effects can be eliminated by rezeroing the transmitter output.
 3. After calibrating transmitters operating with a 4 to 20 mA (or 1 to 5 V dc) output signal, check the underrange and overrange output values to ensure that they extend beyond 4 and 20 mA (or 1 and 5 V dc) respectively.
-

General Calibration Notes

1. Each transmitter is factory characterized over its full rated pressure range. One benefit of this process is that every transmitter can measure any applied pressure within its range limits regardless of the calibrated range. The applied pressure is measured and converted into an internal digital value of pressure. This digital value of pressure is always available whether the transmitter is calibrated or not. Calibration assures that the transmitter rated accuracy is achieved over the calibrated range.
2. The internal digital value of pressure can be displayed on the local display, and converted to a 1 to 5 V dc analog output signal.
3. Each transmitter is factory calibrated to either a specified or a default calibrated range. This calibration optimizes the accuracy of the internal digital value of pressure over that range. If no range is specified, the default range is zero to the sensor upper range limit (URL).
4. The transmitter database has configurable values for both lower range value (LRV) and upper range value (URV). These stored values are used for two functions:
 - a. Defining the Calibrated Range:
 - ◆ When either **CAL LRV** or **CAL URV** is initiated from the local pushbuttons, the transmitter expects that the pressure applied at the time the button is pressed is equal to the LRV or URV value respectively.
 - ◆ This function trims the internal digital value of pressure; that is, it performs a calibration based on the application of accurate pressures equal to the values entered for LRV and URV in the transmitter database.
 - ◆ This function also sets the 1 and 5 volt output points; that is, the 1 and 5 volt points correspond to the values of LRV and URV in the database.
 - ◆ If the transmitter is configured for reverse range, the 5 and 1 volt points correspond to the LRV and URV respectively.
 - b. Reranging Without the Application of Pressure:

- ◆ Since the transmitter continually determines an internal digital value of the measured pressure from the lower range limit (LRL) to the upper range limit (URL), the 1 and 5 volt output points can be assigned to any pressure values (within the span and range limits) without application of pressure.
 - ◆ The reranging function is accomplished by entering new database values for LRV and URV.
 - ◆ Reranging does not affect the calibration of the transmitter; that is, it does not affect the optimization of the internal digital value of pressure over a specific calibrated range.
 - ◆ If the reranged LRV and URV are not within the calibrated range, the measured values may not be as accurate as when they are within the calibrated range.
5. The internal digital value of pressure is sent directly to the indicator.
- ◆ The display can show any measured pressure in selected units regardless of the calibrated range and the values of LRV and URV (within the limits of the transmitter and display). The display can also be 0 to 100 percent.
 - ◆ If the measured pressure is outside the range established by the LRV and URV values in the database, the display shows the measurement but also continually blinks to indicate that the measurement is out of range. The voltage signal is saturated at either the low or high overrange limit respectively but the display continually shows the pressure.
6. Zeroing does not affect the span.

When the transmitter is zeroed to compensate for installed position effect, the transmitter can have either LRV pressure applied (**CAL LRV**) or zero pressure applied (**CAL AT0**). If the range is zero-based, either method produces the same result. However, if the range is not zero-based, it is advantageous to have both methods available.

For example, consider a pressure transmitter having a range of 50 to 100 psig. If it is not feasible to vent the transmitter to atmosphere for zeroing, it can be zeroed while the LRV pressure of 50 psi is applied by using the **CAL LRV** function. On the other hand, if the transmitter has been installed but there is no pressure in the process line yet, it can be zeroed while open to atmosphere by using the **CAL AT0** function.

a. Zeroing with LRV Pressure Applied (**CAL LRV**):

- ◆ Before using this zeroing function, apply a pressure to the transmitter equal to the value of LRV stored in the transmitter database.
- ◆ When you zero the transmitter, the internal digital value of the pressure is trimmed to be equal to the value of LRV stored in the database and the voltage output set to 1 volt.
- ◆ If zeroing is done when the applied pressure is different from the LRV pressure value in the database, the internal digital value of pressure is biased by the difference in the values but the output is still set at 1 volt.

- ◆ The **CAL LRV** (and **CAL URV**) function should be used when calibrating a transmitter for a specific range with known input pressures applied for the LRV and URV.

b. Zeroing a Gauge Pressure Transmitter with Zero Pressure Applied (**CAL AT0**):

— **NOTE** —

Do **not** use the **CAL AT0** function with an absolute pressure transmitter. If an absolute pressure transmitter is vented to atmosphere, it does **not** have zero pressure applied but instead has the barometric pressure (approximately 14.7 psia) applied.

- ◆ Make sure that the applied pressure is at zero. This means venting the transmitter to atmosphere.
- ◆ When you zero the transmitter, the internal digital value of the pressure is trimmed to be equal to zero and the voltage output set to an appropriate value such that the voltage output is a nominal 1 volt when the LRV pressure is applied later.

c. Zeroing an Absolute Pressure Transmitter

To zero an absolute pressure transmitter, the LRV can be temporarily set to the barometric pressure and a CAL LRV function performed with the transmitter vented to atmosphere. Then, the LRV can be set back to the proper value.

7. There is an independent trim on the digital-to-analog conversion stage. This trim allows for slight adjustment of the 1 and 5 volt outputs. This compensates for any slight difference that exists between the transmitter voltage output and an external reference device which is measuring the voltage.
 - ◆ The voltage trim does not affect the calibration or the reranging of the transmitter and does not affect the internal digital value of pressure or the transmission or display of measured pressure.
 - ◆ The voltage trim can be done with or without pressure applied to the transmitter.

Calibration Setup

The following sections show setups for field or bench calibration. Use test equipment that is at least three times as accurate as the desired accuracy of the transmitter.

— **NOTE** —

It is not necessary to set up calibration equipment to rerange the transmitter to a different range. The transmitter can be accurately reranged by simply changing the lower range value and the upper range value, which are stored in the transmitter database.

Setup of Electronic Equipment

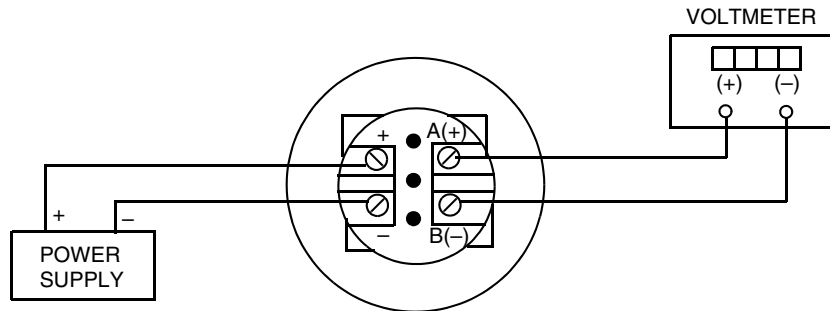
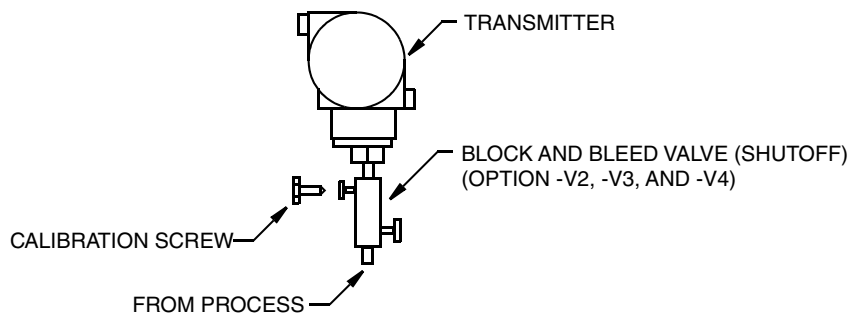


Figure 23. 1 to 5 V dc Output Calibration Setup of Electronic Equipment

Field Calibration Setup

Field calibration is performed without disconnecting the process piping. This is only possible if the transmitter is piped as shown in Figure 24.



NOTE: Block and Bleed Valve Maximum Pressure
 40 MPa (6000 psi at 38°C (100°F))
 25 MPa (4000 psi at 250°C (400°F))
 Calibration Screw Maximum Pressure
 0.7 MPa (100 psi with Poly-Flo Fitting (F0101ES))

Figure 24. Transmitter Piping

If the transmitter is to be removed from the process for calibration, refer to “Bench Calibration Setup” below.

An adjustable air supply and a pressure measuring device are required. For example, a dead weight tester or an adjustable clean air supply and pressure gauge can be used.

Bench Calibration Setup

The bench calibration setup requires disconnecting the process piping. For calibration setup without disconnecting the process piping, refer to “Field Calibration Setup” above.

The bench calibration setup is shown in Figure 25. If calibrating the output signal, also connect equipment as shown in Figure 23.

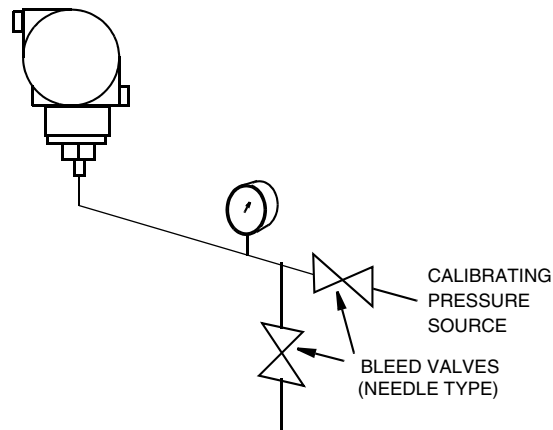


Figure 25. Bench Calibration Setup

Calibration Using the Local Display

To access the Calibration mode (from normal operating mode), press the **Next** button. The display reads **CALIB**, the first item on the menu. Acknowledge your choice of this selection by pressing the **Enter** button. The display shows the first item in the Calibration menu.

⚠ CAUTION

Anytime Calibration (**CALIB**) mode is entered, the transmitter output is automatically set to 1 volt until **Cancel** or **Save** is selected and the transmitter comes back on-line. Make sure that the control loop is in **manual** before selecting **CALIB**.

— NOTE

During calibration, a single change could affect several parameters. For this reason, if an entry is entered in error, re-examine the entire database or use the **Cancel** feature to restore the transmitter to its starting configuration and begin again.

Table 4. Calibration Menu

Item	Description
CAL AT0	Calibrate with zero pressure.
CAL LRV	Calibrate with pressure at 0% of transmitter range (LRV).
CAL URV	Calibrate with pressure at 100% of transmitter range (URV).
ADJ 1V	Adjust nominal 1 volt output.
ADJ 5V	Adjust nominal 5 volt output.

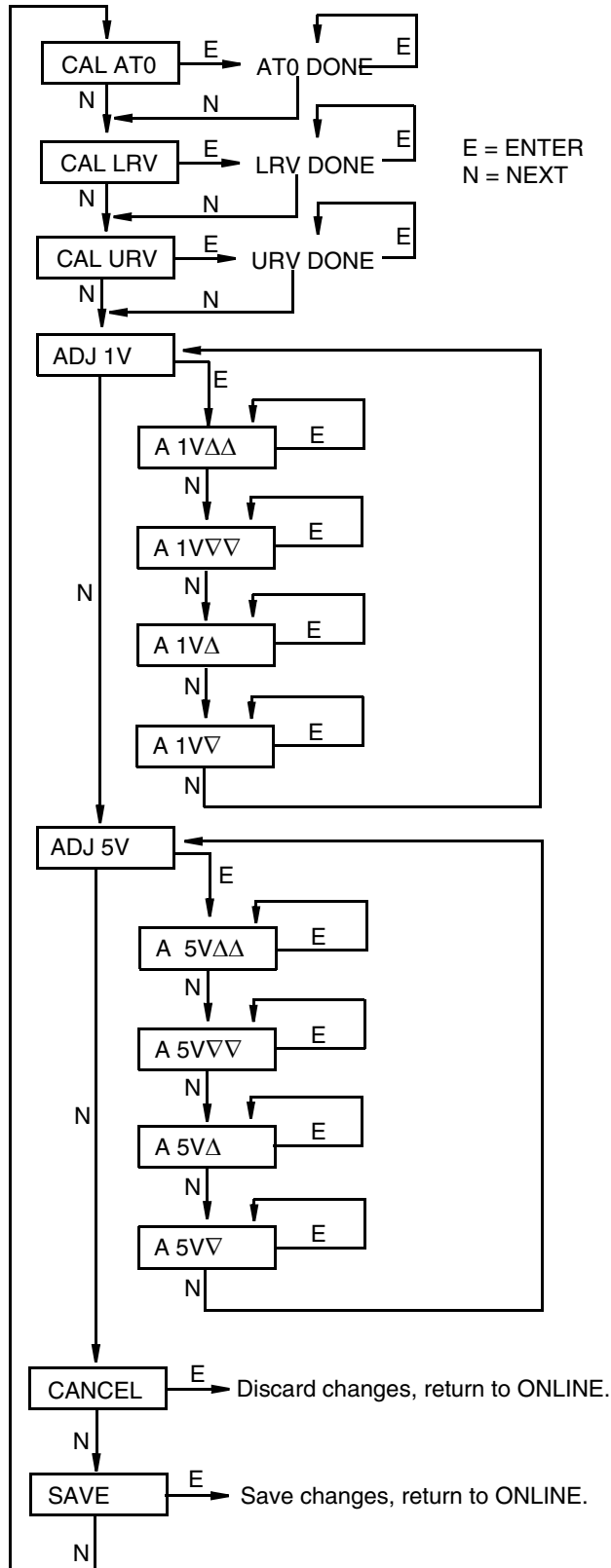
Table 4. Calibration Menu (Continued)

Item	Description
ADJ 1V causes the following four submenus.	
A 1VΔΔ	Increase 1 volt output by large step.
A 1V∇∇	Decrease 1 volt output by large step.
A 1VΔ	Increase 1 volt output by small step.
A 1V∇	Decrease 1 volt output by small step.
ADJ 5V causes the following four submenus.	
A 5VΔΔ	Increase 5 volt output by large step.
A 5V∇∇	Decrease 5 volt output by large step.
A 5VΔ	Increase 5 volt output by small step.
A 5V∇	Decrease 5 volt output by small step.

NOTE

1. It is not necessary to use the **Adj 1 V** or **Adj 5 V** menu selections unless there is a plant requirement to make the 1 and 5 V dc output values exactly match readings on certain plant calibration equipment and the calibration operations done result in a small but unacceptable difference between the transmitter voltage output and the test equipment voltage readout values.
2. The IDP10-V transmitter can be reranged without the application of pressure.

Proceed to calibrate your transmitter by using the **Next** key to select your item and the **Enter** key to specify your selection per Figure 26. At any point in the calibration you can **Cancel**, restore your prior calibration and return to the on-line mode or **Save** your new calibration.



CAL AT0: To set or reset the zero point at zero pressure, apply zero pressure to the transmitter and, at display of **CAL AT0**, press **Enter**. This can be done whether LRV is zero or not. Completion is indicated by the display **AT0 Done**.

CAL LRV: To set or reset 0% of range input, apply pressure to the transmitter equal to the lower range value (LRV) in the transmitter database and, at display of **CAL LRV**, press **Enter**. Completion is indicated by the display **LRV Done**.

CAL URV: To set or reset 100% of range input, apply pressure to the transmitter equal to the upper range value (URV) in the transmitter database and, at display of **CAL URV**, press **Enter**. Completion is indicated by the display **URV Done**.

ADJ 1V: To adjust the 1 volt output, go to **Adj 1V** using the **Next** button and press **Enter**.

To increase the 1 volt output by a large (3.397 mV) step, press **Enter** at the display **A 1VΔΔ**. To decrease it by a large step, go to the display **A 1V∇∇** by pressing the **Next** button and then **Enter**. To increase it by a small (0.679 mV) step, go to the display **A 1VΔ** with the **Next** button and then press **Enter**. To decrease it by a small step, go to the display **A 1V∇** with the **Next** button and then press **Enter**.

Figure 26. Calibration Structure Diagram

Zero Adjustment Using External Zero Button

An optional external zero adjustment mechanism in the electronics housing allows local “rezeroing” of the transmitter output without removing the electronics compartment cover. The mechanism is magnetically activated through the housing wall to prevent moisture from entering the enclosure. Zeroing is accomplished when the external zero button is depressed. The external zero button does a **CAL AT0** calibration (at zero pressure).

To use this feature:

1. Unlatch the external zero button by turning it 90° in a counterclockwise direction so that the screwdriver slot lines up with the two holes in the face of the adjacent part. Do **not** push the button in with the screwdriver while doing this.
2. Press the button with zero pressure applied to the transmitter.
3. The display indicates **ZEROED**. If **EX ZERO** is disabled, or the transmitter is not on-line, the display reads **Bad Key**.
4. If additional rezeroing is required, wait 20 seconds and repeat Step 2.
5. Relatch the external zero button by turning it 90° in a clockwise direction to prevent accidental pressing of the button. Do **not** push the button in with the screwdriver while doing this.

Error Messages

Table 5. Calibration Error Messages

Message	Interpretation
BAD KEY	Pressing External Zero button with EX ZERO disabled or transmitter not on-line.
LOLIMIT	1 Volt and 5 Volt calibration adjustment has reached lower limit. a. Improper calibration setup; correct setup. b. Bad D/A converter; replace electronics module.
HILIMIT	1 volt and 5 volt calibration adjustment has reached upper limit. a. Improper calibration setup; correct setup. b. Bad D/A converter; replace electronics module.
BADZERO	Recalculation of offset during CAL AT0 , CAL LRV , or EX ZERO resulted in out of range value. a. Applied pressure too high during operation. b. Improper calibration setup.
BADSPAN	Recalculation of slope during CAL URV operation resulted in out of range value. a. Applied pressure too low during CAL URV operation. b. Improper calibration setup.

5. Configuration

You can access the Configuration mode by the same multi-level menu system that was used to enter Calibration mode. Entry to the Mode Select menu is made (from normal operating mode) by pressing the **Next** button. The display reads **CALIB**, the first item on the menu. Press the **Next** button again to get to the second item on the menu, **CONFIG**. Acknowledge your choice of this selection by pressing the **Enter** button. The display shows the first item in the Configuration menu. You can then configure items shown in Table 6. The initial factory configuration is also given in this table.

— **NOTE** —

During configuration, a single change may affect several parameters. For this reason, if an entry is entered in error, re-examine the entire database or use the **Cancel** feature to restore the transmitter to its starting configuration and begin again.

Table 6. Configuration Menu

Item	Description	Initial Factory Configuration ^(a)
EX ZERO	External zero: enable or disable	Disable
OUT DIR	Output direction: forward or reverse	Forward
OUTMODE	Output: linear ^(b)	Linear
OUTFAIL	Fail mode output: low or high	High
DAMPING	Damping: none, 2-, 4-, or 8-seconds	None
DISPEGU	Display measurement in EGU or in percent of span	Use EGU
EGU SEL	Engineering units for calibrated range and display: select from list.	Per Sales Order
EGU LRV	Set Lower Range Value (LRV)	Per Sales Order
EGU URV	Set Upper Range Value (URV)	Per Sales Order

(a) Default settings. If optional feature “-C2” is specified, the initial factory configuration is custom per order.

(b) Square root is not applicable to absolute pressure, gauge pressure, or level measurement.

Proceed to configure your transmitter by using the **Next** key to select your item and the **Enter** key to specify your selection per Figure 27. At any point in the configuration you may **Cancel** your changes and return to the on-line mode or **Save** your changes.

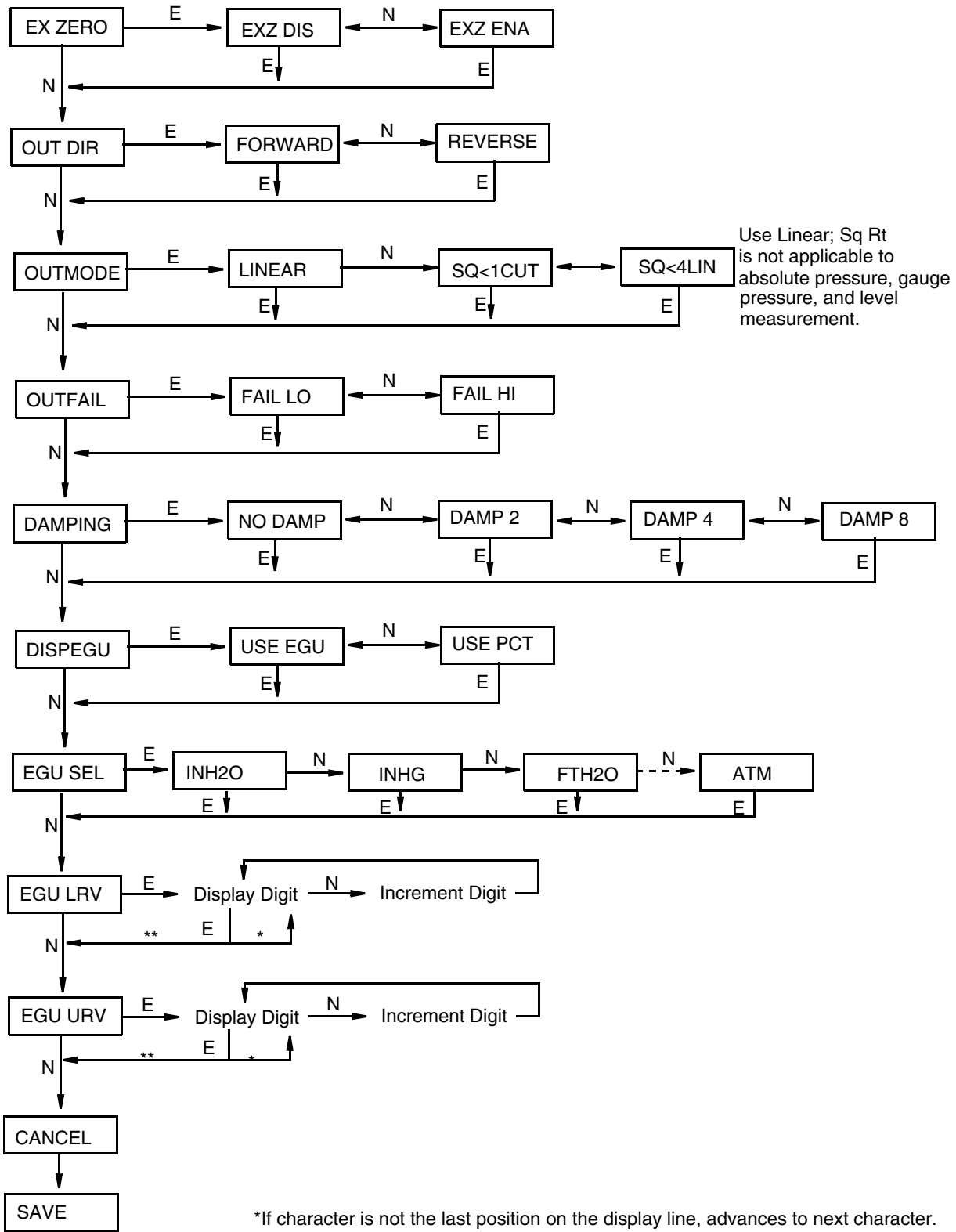


Figure 27. Configuration Structure Diagram

Commentary on Configuration Structure Diagram

In general, use the **Next** button to select an item and the **Enter** button to specify a selection.

EX ZERO:

The External Zero feature allows the optional external zero pushbutton to be disabled for additional security. To configure this feature, go to **EX ZERO** with the **Next** button and press **Enter**. Use the **Next** button to select **EXZ DIS** or **EXZ ENA** and press **Enter**.

OUT DIR:

To configure the Output Direction, go to **OUT DIR** with the **Next** button and press **Enter**. Use the **Next** button to select **FORWARD** (4 to 20 mA) or **REVERSE** (20 to 4 mA) and press **Enter**.

OUTMODE:

To configure the mode of the output, go to **OUTMODE** with the **Next** button and press **Enter**. Use the **Next** button to select **LINEAR** and press **Enter**. **SQ<1CUT** (square root with cutoff below 1% of calibrated pressure range) or **SQ<4LIN** (square root with dual slope linear below 4% of calibrated pressure range) is not applicable to absolute pressure, gauge pressure, and flange level measurement.

OUTFAIL:

The Outfail feature provides high or low output with certain malfunctions. To configure the fail mode output, go to **OUTFAIL** with the **Next** button and press **Enter**. Use the **Next** button to select **FAIL LO** or **FAIL HI** and press **Enter**.

DAMPING:

To configure additional damping, go to **DAMPING** with the **Next** button and press **Enter**. Use the **Next** button to select **NO DAMP**, **DAMP 2**, **DAMP 4**, or **DAMP 8** and press **Enter**.

DISPEGU:

To configure the display to present the measurement in engineering units or percent of span, go to **DISPEGU** with the **Next** button and press **Enter**. Then use the **Next** button to select **Use EGU** or **Use Pct** and press **Enter**.

EGU SEL:

To configure engineering units for your calibrated range and display, go to **EGU SEL** with the **Next** button and press **Enter**. Because **OUTMODE** was configured as **LINEAR**, use the **Next** button to select one of the following units: **INH₂O**, **INHG**, **FTH₂O**, **MMH₂O**, **MMHG**, **PSI**, **BAR**, **MBAR**, **G/CM²**, **KG/CM²**, **PA**, **KPA**, **MPA**, **TORR**, or **ATM** and press **Enter**.

EGU LRV:

To configure the LRV, press **Enter** at the prompt **EGU LRV**. Use the **Next** button to toggle between a space or a minus and press **Enter**. Then use the **Next** button to step through the library of numerical characters to select the desired first digit, and press **Enter**. Your selection is entered and the second digit flashes. Repeat this procedure until you have entered your last digit. Then use the **Next** button to move the decimal point to its desired location and press **Enter**.

EGU URV:

Similar to EGU LRV immediately above.

Reranging the Transmitter

The transmitter can be reranged without application of pressure. Because measurement of absolute or gauge pressure is done in Linear mode, the procedure is simple; just reconfigure **EGU LRV** and **EGU URV**.

Character Lists

Table 7. Alphanumeric Character List

Characters
space
*
+
-
/
0 through 9
<
>
A through Z (uppercase)
[
\
]
Δ
- (underscore)
▽

Table 8. Numeric Character List

Characters
-
0 through 9

Error Messages

Table 9. Configuration Error Messages

Message	Interpretation
BAD LRV	Entered value for EGU LRV is outside sensor limits.
BAD URV	Entered value for EGU URV is outside sensor limits.
BAD RNG	Recalculation of turndown during EGU LRV or EGU URV resulted in out of range value. Entered values for EGU LRV and/or EGU URV were either too close together or too far apart.
RNG>EGU	Recalculation of display value for EGU LRV or EGU URV resulted in out of range value. Selection of (linear) EGU units caused display to overflow.
LRVNOT0	Attempting mode change from LINEAR to SQ<1CUT or SQ<4LIN when EGU LRV is not 0.0.

6. Maintenance

DANGER

For nonintrinsically safe installations, to prevent a potential explosion in a Division 1 hazardous area, de-energize transmitters before you remove threaded housing covers. Failure to comply with this warning could result in an explosion resulting in severe injury or death.

Parts Replacement

Parts replacement is generally limited to the electronics module assembly, housing assembly, sensor assembly, terminal block assembly, cover O-rings, and optional display. For part numbers relating to the transmitter and its options, see the following parts lists:

IAP10 Absolute and IGP10 Gauge Pressure Transmitters: PL 009-006

IGP10 High Gauge Pressure: PL 009-010

Replacing the Terminal Block Assembly

1. Turn off transmitter power source.
2. Remove the Field Terminals compartment cover by rotating it counterclockwise. Screw in cover lock if applicable.
3. Remove the four socket head screws securing the terminal block.
4. Disconnect the loop wiring connector from the terminal block.
5. Remove the terminal block and the gasket under it.
6. Reconnect the loop wiring connector to the new terminal block.
7. Install the new terminal block and new gasket and reinstall the four screws to 0.67 N·m (6 in·lb) in several even increments.
8. Reinstall the cover onto the housing by rotating it clockwise to seat the O-ring into the housing and then continue to hand tighten until the cover contacts the housing metal-to-metal. If cover locks are present, lock the cover per the procedure described in “Cover Locks” on page 28.
9. Turn on transmitter power source.

Replacing the Electronics Module

To replace the electronics module assembly, proceed as follows:

1. Turn off transmitter power source.
2. Screw in cover lock (if present) and remove the threaded electronics compartment cover by rotating it counterclockwise.

3. Remove the electronics module from the housing by loosening the two captive screws that secure it to the housing. These screws are located towards the sides of the housing. Then pull the module out of the housing.

⚠ CAUTION

The electronics module is “one assembly” at this point and is electrically and mechanically connected to topworks with a flexible ribbon signal cable, a 2-wire power cable, and in some cases, a cable for an optional external zero pushbutton. Do **not** exceed the slack available in these cables when removing the assembled module.

4. Unplug all cable connectors from the rear of the electronics module, noting the location of each cable, and place the module on a clean surface.
5. Predetermine connector orientation, then insert the cable connectors into the replacement module. Replace the module in the housing and tighten the two screws that secure it to the housing.

— NOTE

To rotate display, see “Positioning the Display” in the Installation section.

6. Reinstall the cover onto the housing by rotating it clockwise to seat the O-ring into the housing and then continue to hand tighten until the cover contacts the housing metal-to-metal. If cover locks are present, lock the cover per the procedure described in “Cover Locks” on page 28.
7. Turn on transmitter power source.

The module replacement procedure is now complete.

— NOTE

The transmitter configuration is stored in the sensor assembly. Therefore, the configuration settings are retained when replacing the electronics module. Recalibration, however, is recommended.

Removing and Reinstalling the Housing Assembly

To remove and reinstall the housing assembly, proceed as follows:

1. Remove the electronics module per Steps 1 through 4 in the previous procedure.
2. If your housing has an anti-rotation screw, remove the red lacquer from the screw recess. Turn the screw three full turns counterclockwise.
3. If your housing has a retention clip, remove the red lacquer from the screw recess. Remove the screw completely, and slide the clip off the housing. Save the clip and screw for future use,
4. Remove the housing by rotating it counterclockwise (when viewed from the top). Use caution to avoid damaging the sensor cable.
5. Inspect the sensor O-ring for damage. If the O-ring is damaged, replace it with the appropriate O-ring. (See parts list for your transmitter). Lubricate the O-ring with silicone lubricant (Part Number 0048130 or equivalent). Verify that the O-ring is situated in the groove of the neck.

⚠ WARNING

Failure to reuse or install the proper O-ring for a CSA labeled product violates ANSI / ISA 12.27.01.

6. Feed the sensor cable through the housing neck into the electronics compartment.
7. Screw the housing onto the sensor neck until it bottoms. Do not over tighten. Be careful not to damage the sensor cable or dislodge the neck O-ring.
8. If your housing has an anti-rotation screw, engage the screw until it touches the sensor neck and back it off 1/8th turn. It is important that the screw is not touching the sensor. Fill the screw recess with red lacquer (Part Number X0180GS or equivalent). the housing may then be rotated up to one full turn counterclockwise for optimum access.
9. If your housing has a retention clip, insert the clip over the boss in the housing neck so that the hole in the clip is aligned with the hole in the boss. Install the screw but do not tighten. Rotate the housing up to one full turn counterclockwise for optimum access. Tighten the retention clip screw and fill the screw recess with red lacquer (Part Number X0180GS or equivalent). The housing can still be rotated for optimum access.
10. Reinstall the electronics module per Steps 5 through 7 in the previous procedure.

Replacing the Sensor Assembly

To replace the sensor assembly, proceed as follows:

1. Remove the electronics module as described above.
2. Remove the housing as described above. Sensor is left.
3. Install housing on new sensor.
4. Reinstall electronics module.

Index

C

Calibration

Notes 37

Setup 39

Using the Local Display 41

Configuration 45

D

Display, Positioning the 27

E

Error Messages

Calibration 44

Configuration 48

Operation 36

H

Housing, Positioning the 26

I

Identification 10

Installation 19

M

Maintenance 49

Mounting 19

O

Operation 33

P

Parts Replacement 49

R

Reference Documents 9

S

Specifications
Product Safety 15
Standard 11

W

Wiring 28

Z

Zero Adjustment Using External Zero Button 44

ISSUE DATES

DEC 2001	FEB 2006	FEB 2016
OCT 2003	OCT 2007	
APR 2004	MAR 2009	
FEB 2005	MAY 2010	

Vertical lines to the right of text or illustrations indicate areas changed at last issue date.