

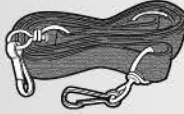
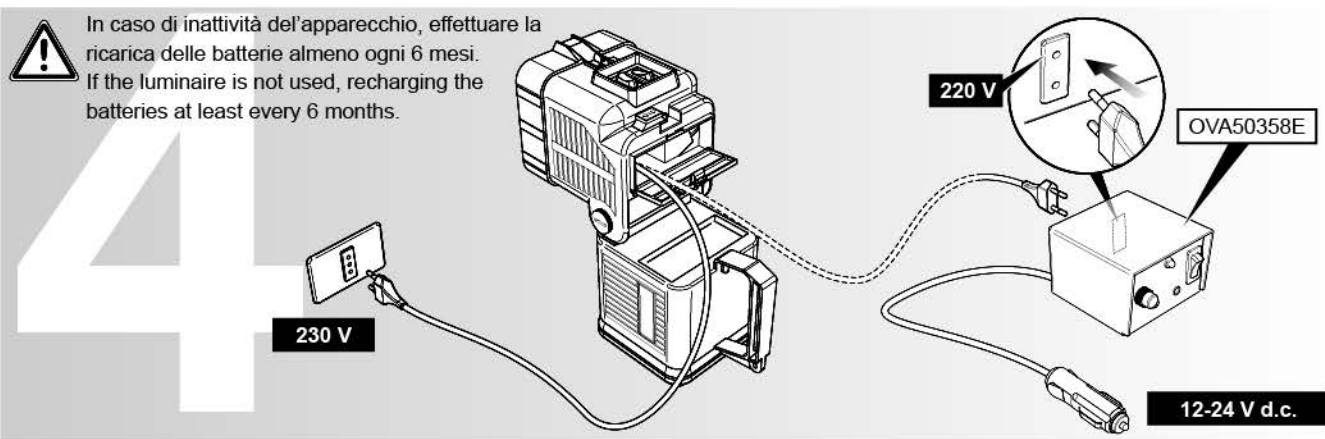
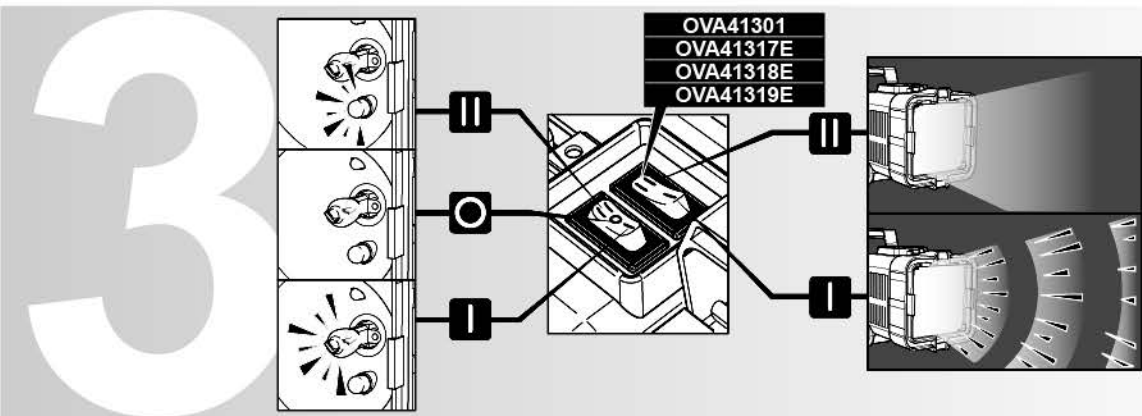
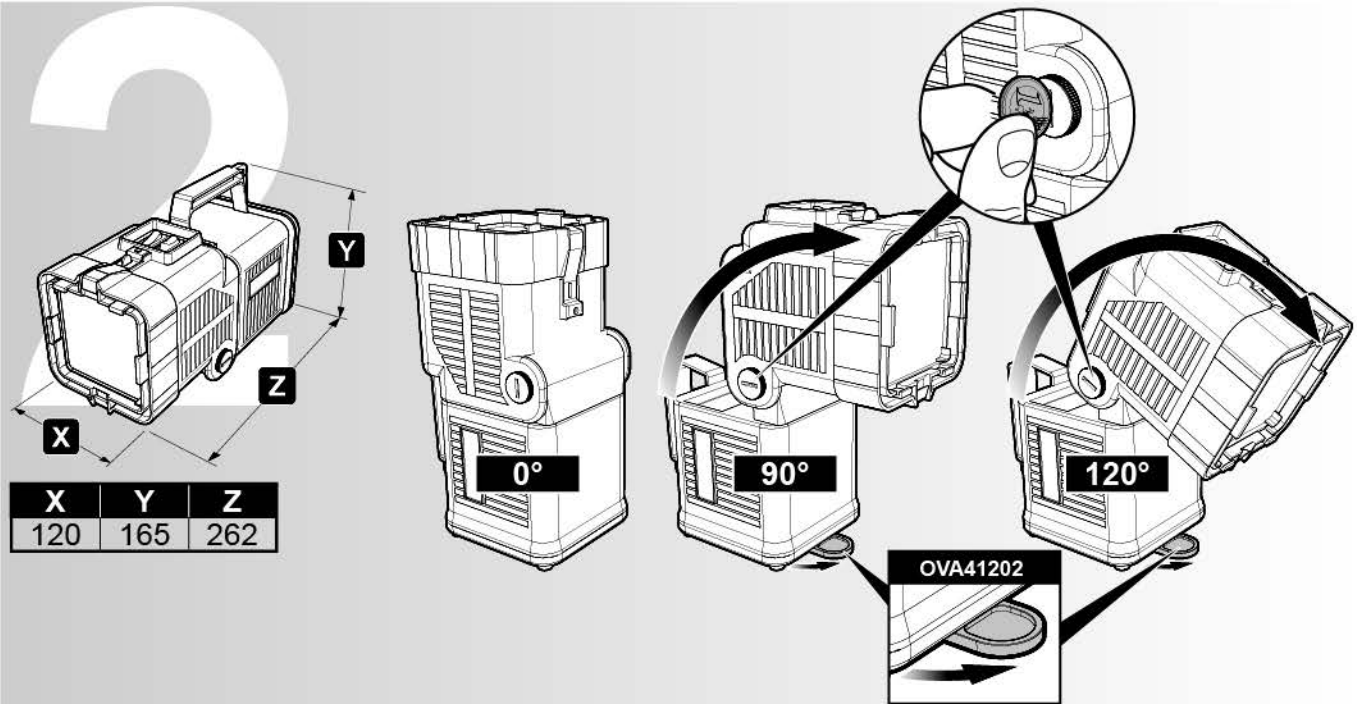
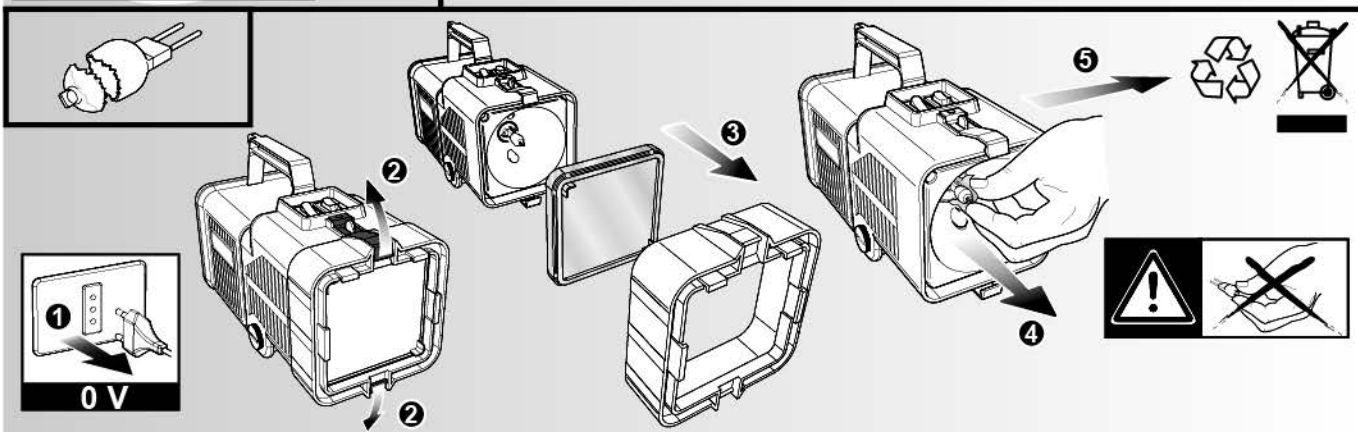
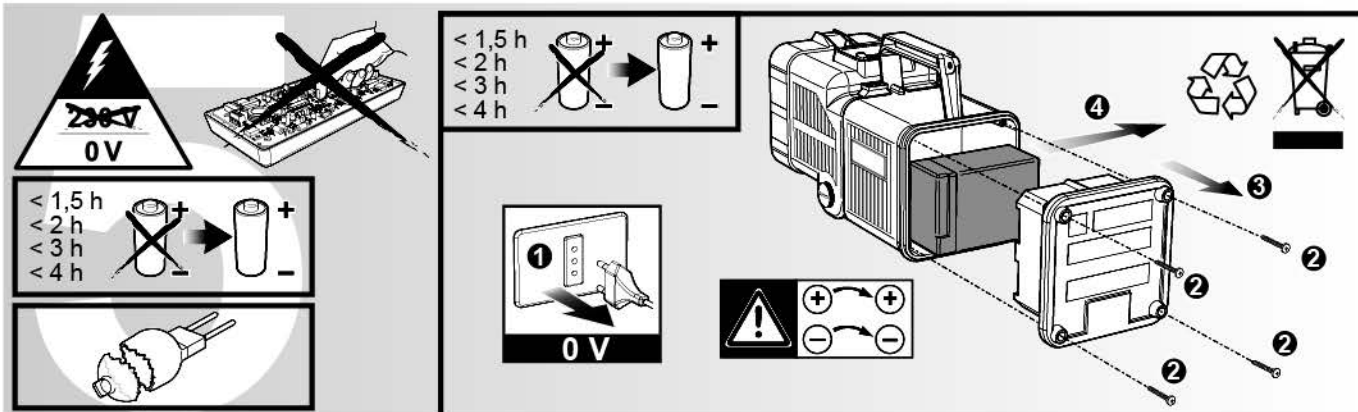
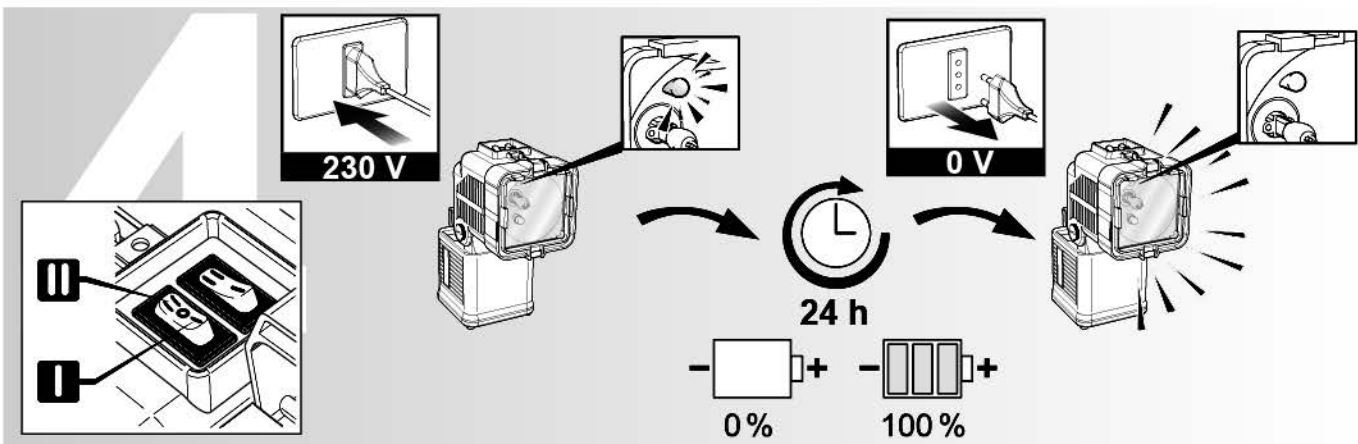




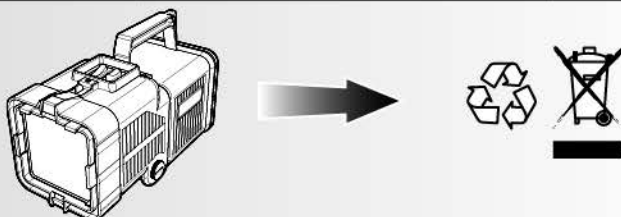
OVA41202
OVA41301
OVA41317E
OVA41318E
OVA41319E

		x 4	OVA41301 OVA41317E OVA41318E OVA41319E
		x 1	OVA41301 OVA41318E OVA41319E





					h	W	VA	Kg
OVA41202	IP40	IP40	6V 1,5Ni-Cd	2	6V 3W (E10)	3	1,65	
				4	6V 1,5W (BA9S)			
OVA41301	IP40	IP55	6V 4Ah Pb	4	6V 5W (G4)	10	2	
				15	6V 1,5W (BA9S)			
OVA41317E	IP40	IP40	6V 4Ah Pb	3	6V 5,4W (E10)	10	1,9	
				15	6V 1,5W (BA9S)			
OVA41318E	IP40	IP55	6V 4Ah Pb	1,5	6V 10W (G4)	10	2	
				15	6V 1,5W (BA9S)			
OVA41319E	IP40	IP55	6V 7Ah Ni-Cd	4	6V 10W (G4)	10	2,4	
				24	6V 1,5W (BA9S)			



Schneider Electric Industries SAS
35 Rue Joseph Monier
92500 Rueil Malmaison (France)
Tél : +33 (0)1 41 29 70 00
Fax : +33 (0)1 41 29 71 00
<http://www.schneider-electric.com>

Questo prodotto deve essere installato, collegato ed utilizzato in conformità alle norme in vigore e/o norme di installazione.
Per quanto riguarda le normative, specifiche e sviluppo di progetti vogliate di volta in volta chiedere sempre conferma delle informazioni riportate in questa pubblicazione.
This product must be installed, connected up and used in accordance with current legislation and/or installation standards.
The information regarding standards, specifications and design developments contained in this publication may not be up to date. Always contact us to obtain the latest information.