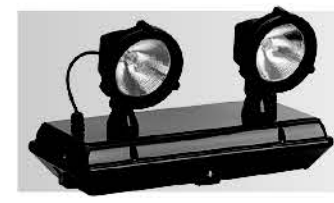


GUARDIAN IP65

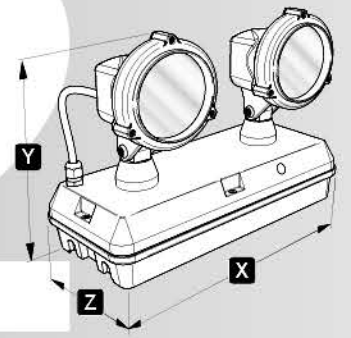


OVA41413
OVA41417
OVA41435E
OVA41436E
OVA41437E

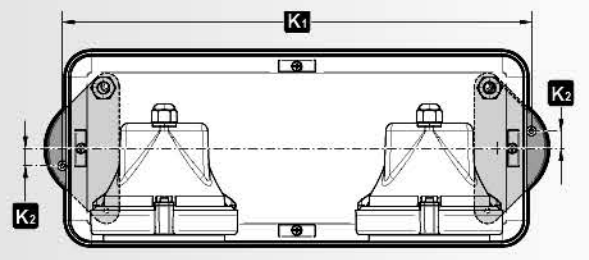
Schneider
Electric

	x 1			x 2	Ø 4 mm	OVA41437E
	x 4			x 2	Ø 6 mm	OVA41437E
	x 2	OVA41413 OVA41435E OVA41437E		x 2	Ø 5 mm	OVA41413 OVA41417 OVA41435E OVA41436E
	x 2	OVA41417 OVA41436E		x 2	Ø 8 mm	OVA41413 OVA41417 OVA41435E OVA41436E
	x 1					
	x 1	OVA41417 OVA41436E				
	x 1					

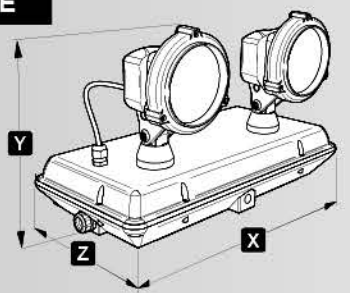
OVA41413
OVA41435E
OVA41437E



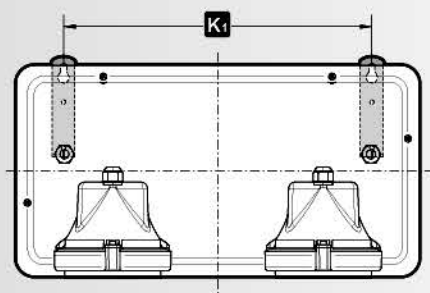
X	Y	Z	K ₁	K ₂
430	287	170	406	15



OVA41417
OVA41436E

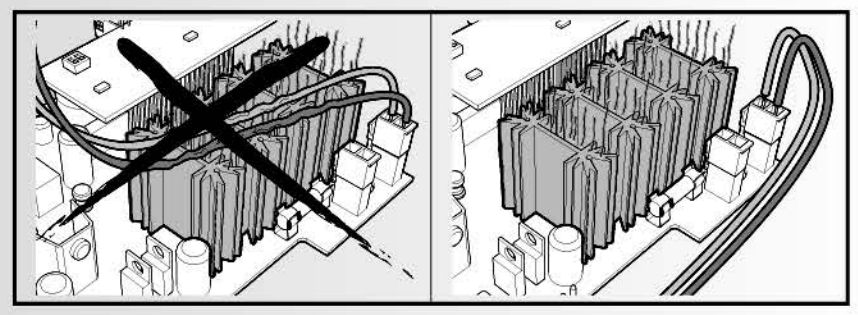
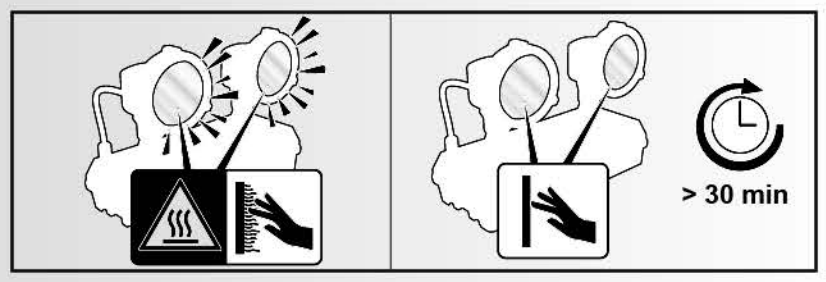
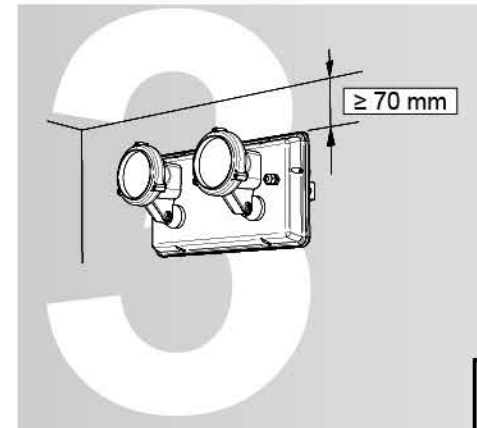
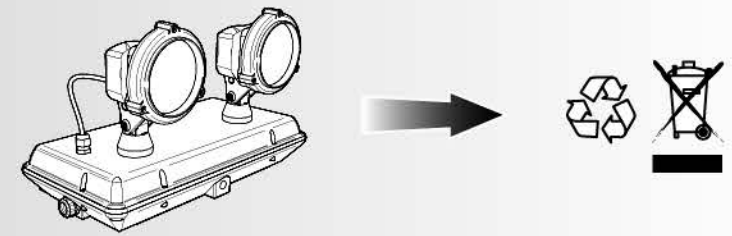


X	Y	Z	K ₁
440	300	230	337



	IP/IK						
			h	W	VA	lm	Kg
OVA41413	65/07	2x6V 7,2Ah Pb	3	6 V 10W (G4)	30	210	4,6
OVA41417	65/07	2x12V 7,2Ah Pb	3	12 V 20W (G4)	33	520	7,5
OVA41435E	65/07	12V 7,2Ah Pb	1	12 V 20W (G4)	27	400	4,6
OVA41436E	65/07	2x12V 7,2Ah Pb	1	12 V 50W (GY 6,35)	37	1050	7,5
OVA41437E	65/07	6V 7,2Ah Pb	1	6 V 10W (G4)	30	200	3,4

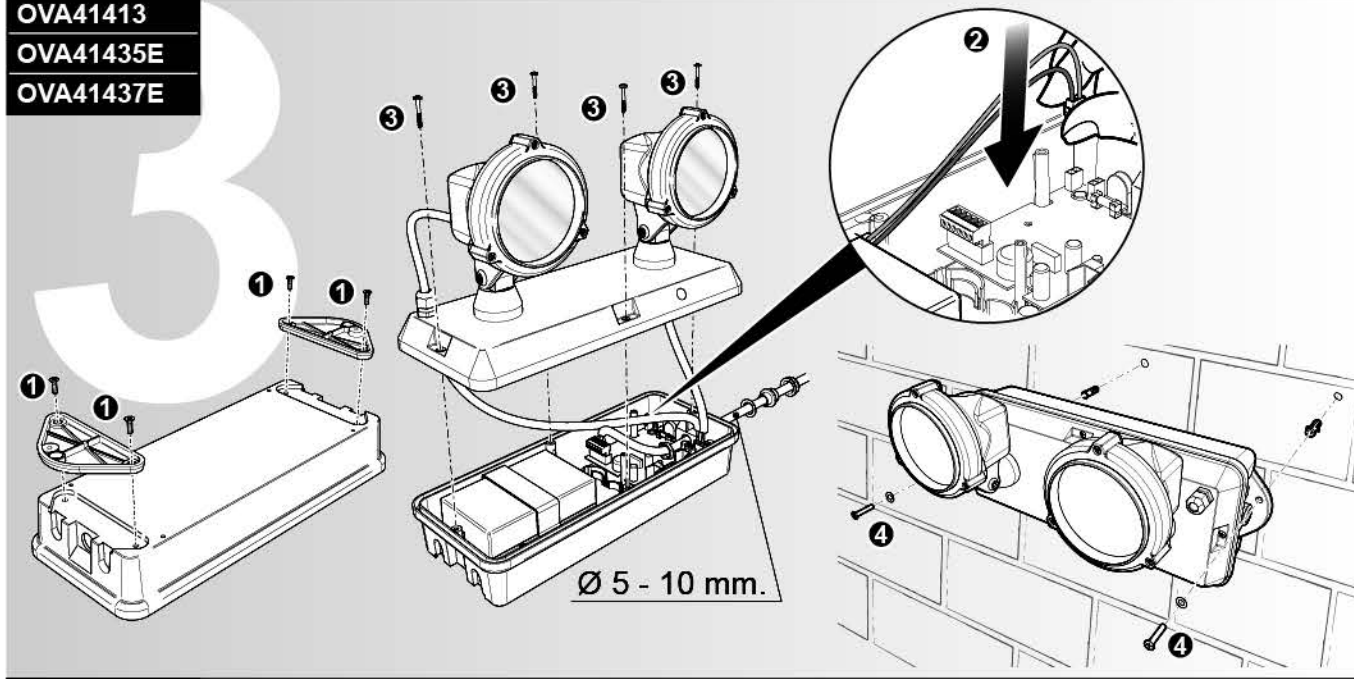
IST000010-Ed.00-01/2014



Schneider Electric Industries SAS
35 Rue Joseph Monier
92500 Rueil Malmaison (France)
Tél : +33 (0)1 41 29 70 00
Fax : +33 (0)1 41 29 71 00
<http://www.schneider-electric.com>

Questo prodotto deve essere installato, collegato ed utilizzato in conformità alle norme in vigore e/o norme di installazione.
Per quanto riguarda le normative, specifiche e sviluppo di progetti vogliate di volta in volta chiedere sempre conferma delle informazioni riportate in questa pubblicazione.
This product must be installed, connected up and used in accordance with current legislation and/or installation standards.
The information regarding standards, specifications and design developments contained in this publication may not be up to date. Always contact us to obtain the latest information.

OVA41413
OVA41435E
OVA41437E



OVA41417
OVA41436E

