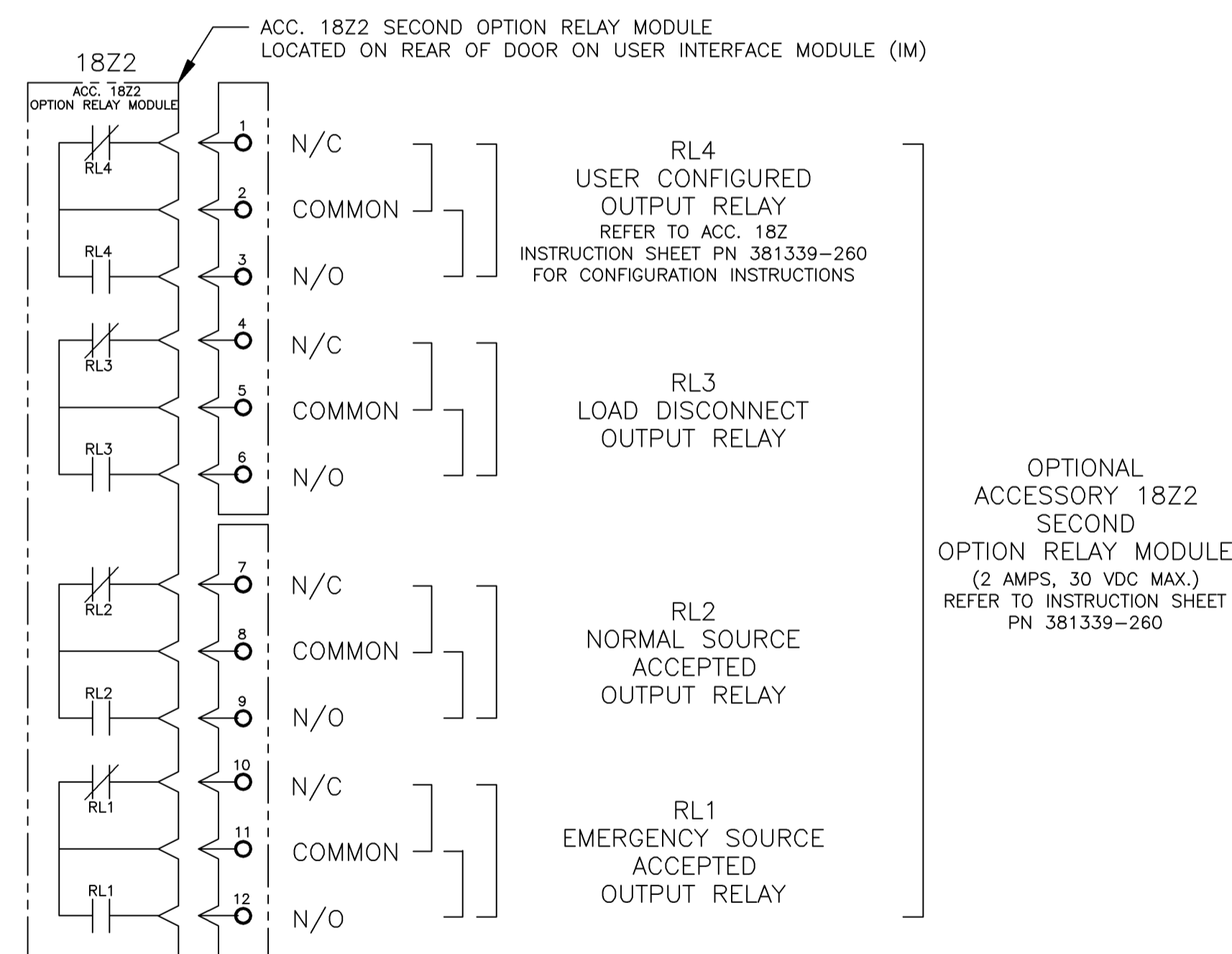
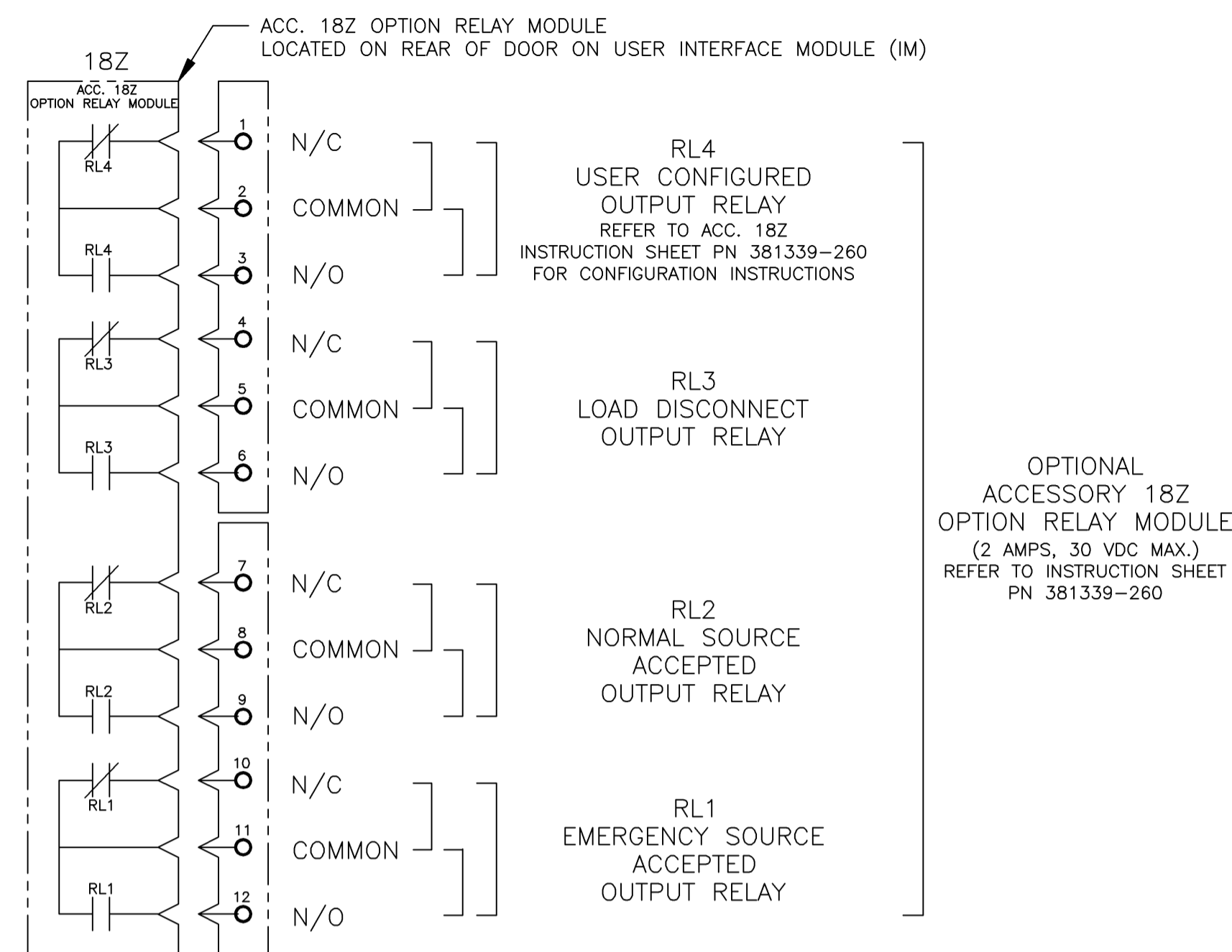
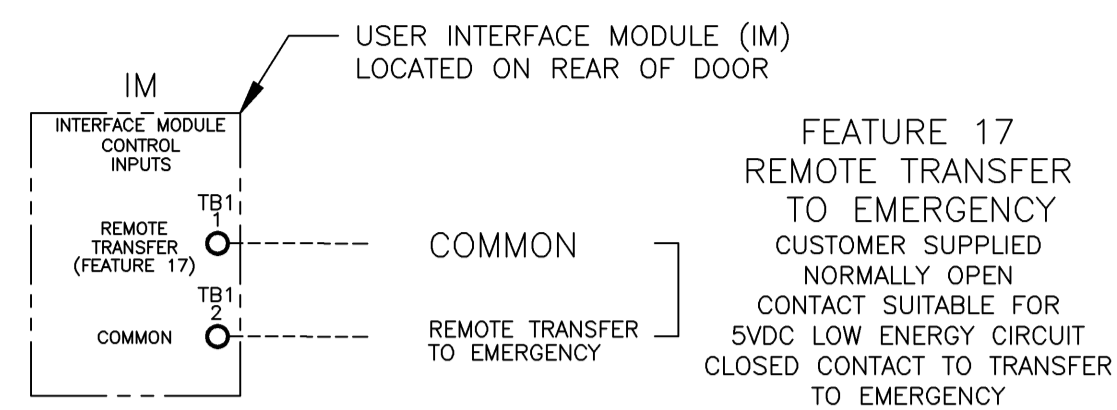
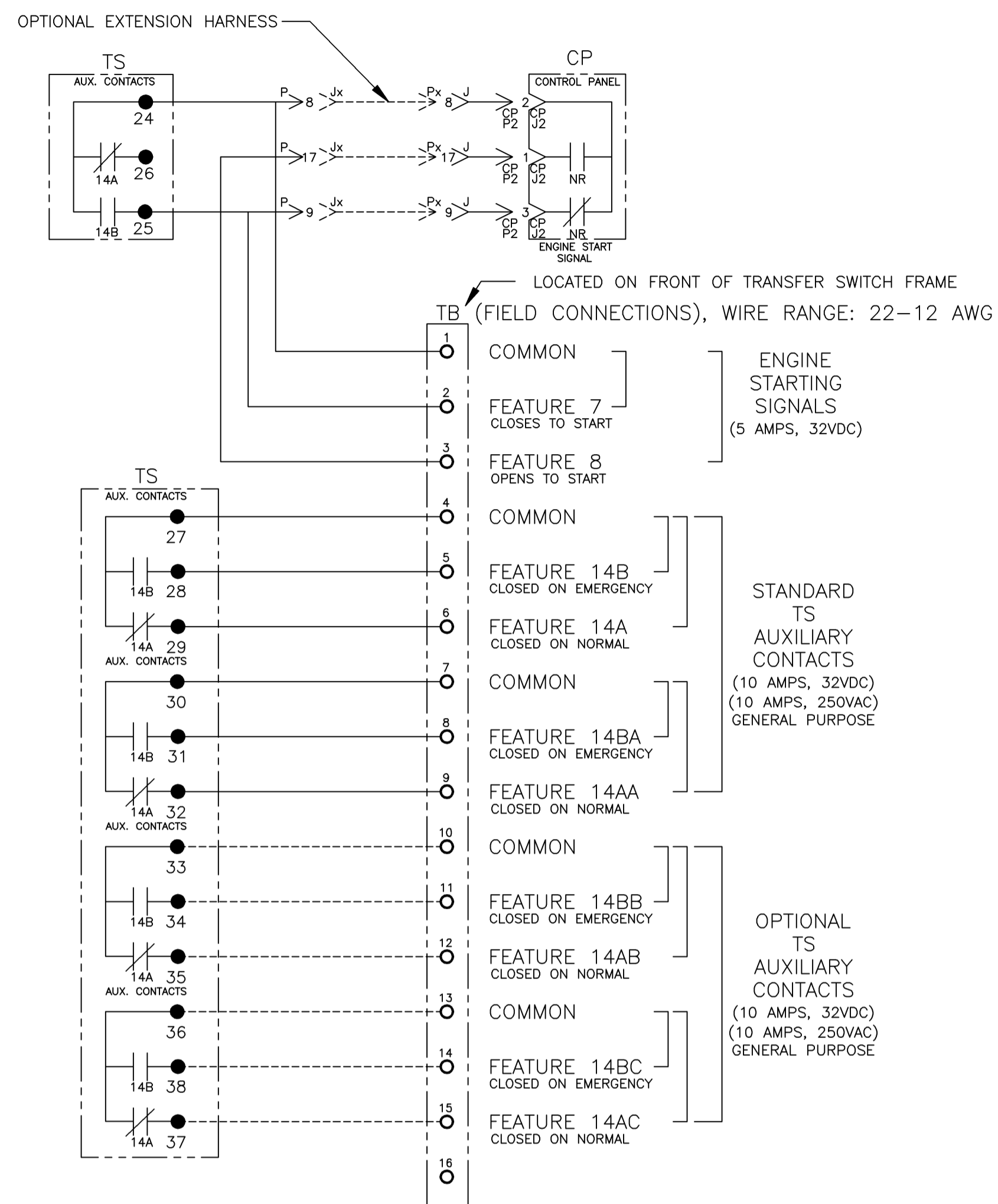
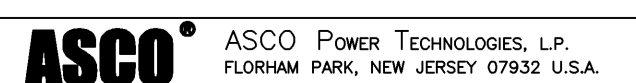


FIELD CONNECTIONS



C	214285	BWM/BWM	08/01/07
B	205832	JPB/JPB	9/8/05
A	205582	JPB/JPB	8/18/05
-	205285	JPB/JPB	7/26/05
-	ISSUE		

PROJECT NAME:		REV. TO SHEET	ECN NO.	BY	APP.	DATE
WIRING DIAGRAM						
4000 SERIES (J4A/NTS)3PH 260-600 AMPS "J" FRAME, GROUP 5 CONTROLS						
DRAWN BY	DATE	MANUFACTURING TOLERANCES TO BE IN ACCORDANCE WITH ASCO PROCEDURE MP-1-003. FOR PLASTIC PARTS SEE MP-1-055	ASSEM. REF. NO.	COMPUTER GENERATED DRAWING		
CHECKED	DATE	PROPERTY OF ASCO POWER TECHNOLOGIES. USE PERMITTED FOR OUR WORK ONLY. ALL RIGHTS OF DESIGN OR INVENTION ARE RESERVED.		SCALE	1:1	SIZE DS
PROJECT APPROVAL				781123		
FINAL APPROVAL				DRAWING C	ECN NO. 214285	SHEET 2 OF 6

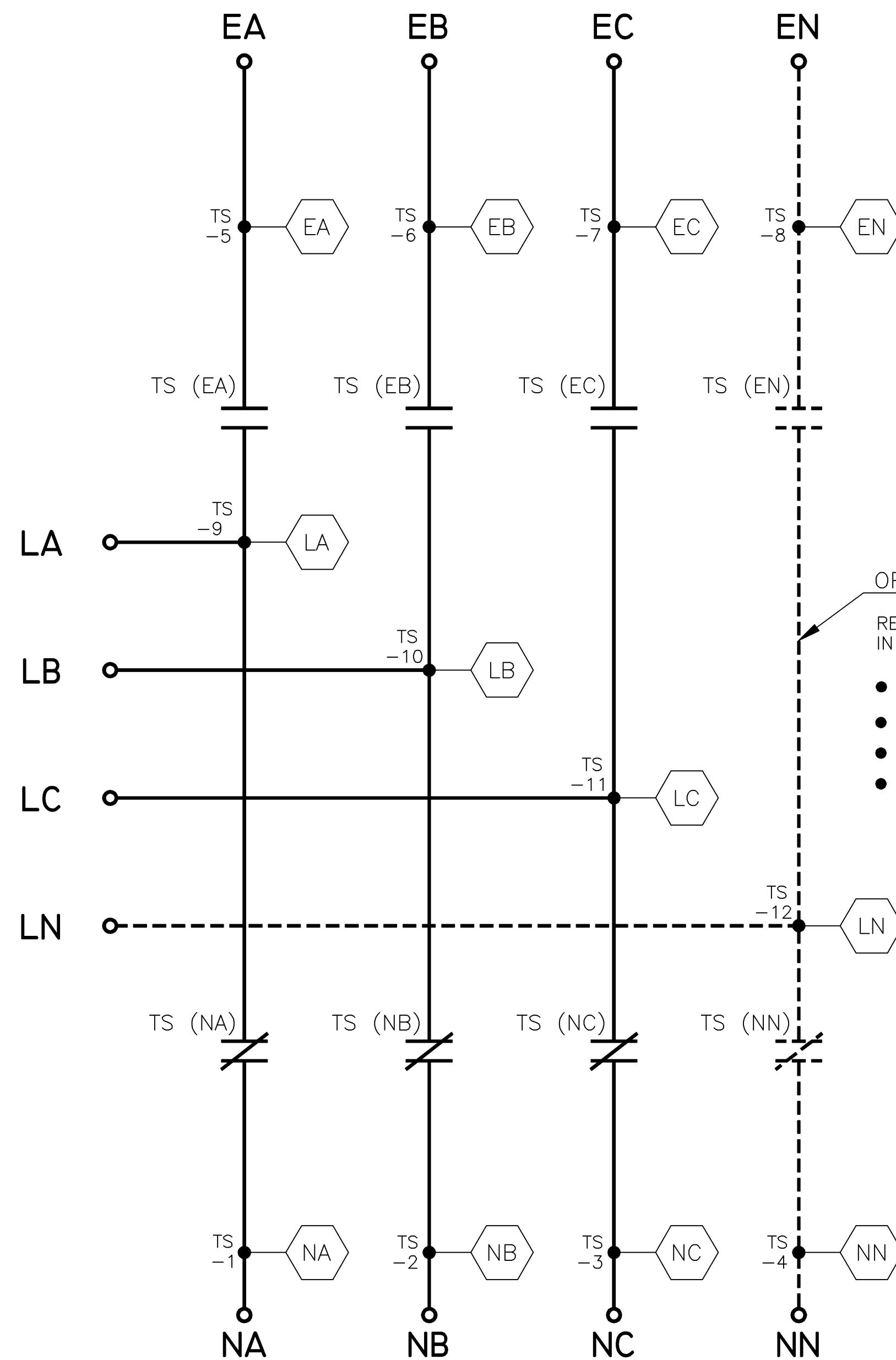


MAIN POWER POLES

TS OPERATOR CIRCUIT

EMERGENCY

NORMAL



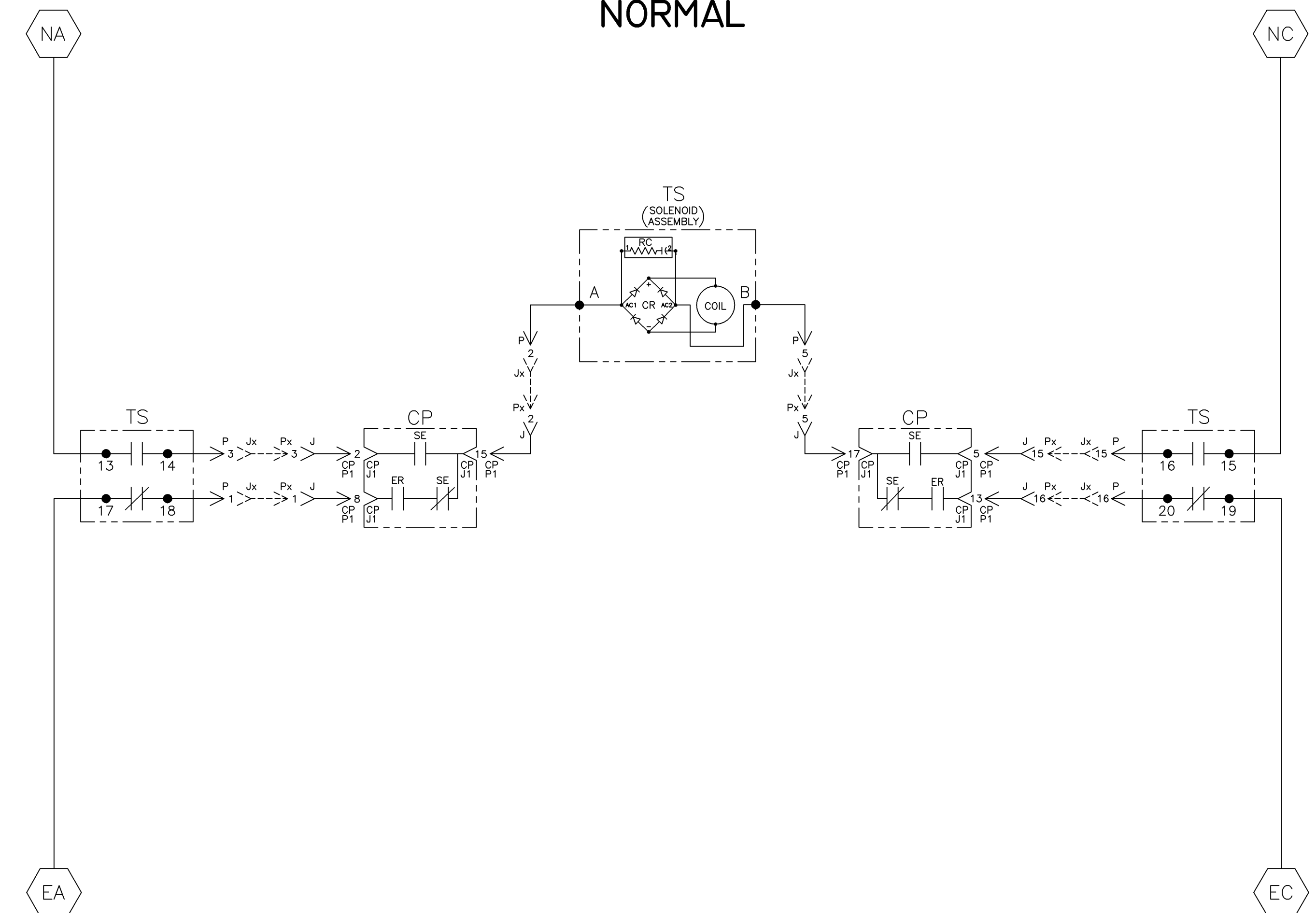
OPTIONAL NEUTRAL TYPES
 REFER TO "EXPLANATION OF CATALOG NUMBER CODES"
 IN CATALOG NUMBER CHART ON SHEET 1.

- NONE
- SWITCHING CONTACTS
- OVERLAPPING CONTACTS
- SOLID BUS PLATE

NOTE:
 ATS SHOWN CLOSED ON NORMAL SOURCE.

NORMAL

EMERGENCY



TS	SOLENOID POSITION			
	CLOSED	BEFORE	BEFORE	CLOSED
13-14	✓	✓	✓	✓
15-16	✓	✓	✓	✓
17-18	✓	✓	✓	✓
19-20	✓	✓	✓	✓

TDC (TOP DEAD CENTER)
 TRANSFER SWITCH TEST & ADJUSTMENT PROCEDURE
 SPECIFIES CONTROL CUT-OFF (CONTACT OPENING)
 SETTING.

C	214285	BWM	BWM	08/01/07
B	205832	JPB	JPB	9/8/05
A	205582	JPB	JPB	8/18/05
-	205285	JPB	JPB	7/26/05
-				ISSUE

PROJECT NAME:		REV. TO SHEET	ECN NO.	BY	APP.	DATE
WIRING DIAGRAM						
4000 SERIES (J4A/NTS)3PH 260-600 AMPS		MANUFACTURING TOLERANCES TO BE IN ACCORDANCE WITH ASCO PROCEDURE MP-I-003. FOR PLASTIC PARTS SEE MP-I-055		ASSEM. REF. NO.		COMPUTER GENERATED DRAWING
"J" FRAME, GROUP 5 CONTROLS		PROPERTY OF ASCO POWER TECHNOLOGIES. USE PERMITTED FOR OUR WORK ONLY. ALL RIGHTS OF DESIGN OR INVENTION ARE RESERVED.		SCALE 1:1 SIZE DS		DWG. NO. 781123
DRAWN BY	DATE	ASCO POWER TECHNOLOGIES, L.P.		DRAWING C		ECN NO. 214285
CHECKED	7/26/05	FLORHAM PARK, NEW JERSEY 07932 U.S.A.		SHEET 3 OF 6		
PROJECT APPROVAL						
FINAL APPROVAL	7/26/05					

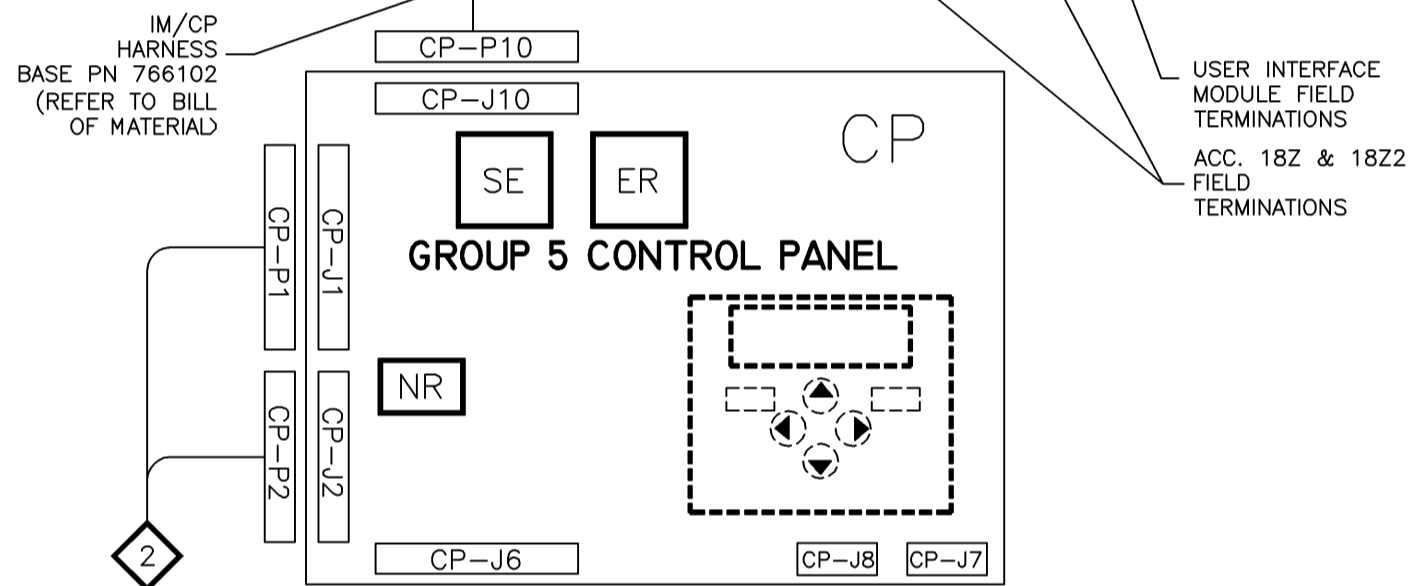
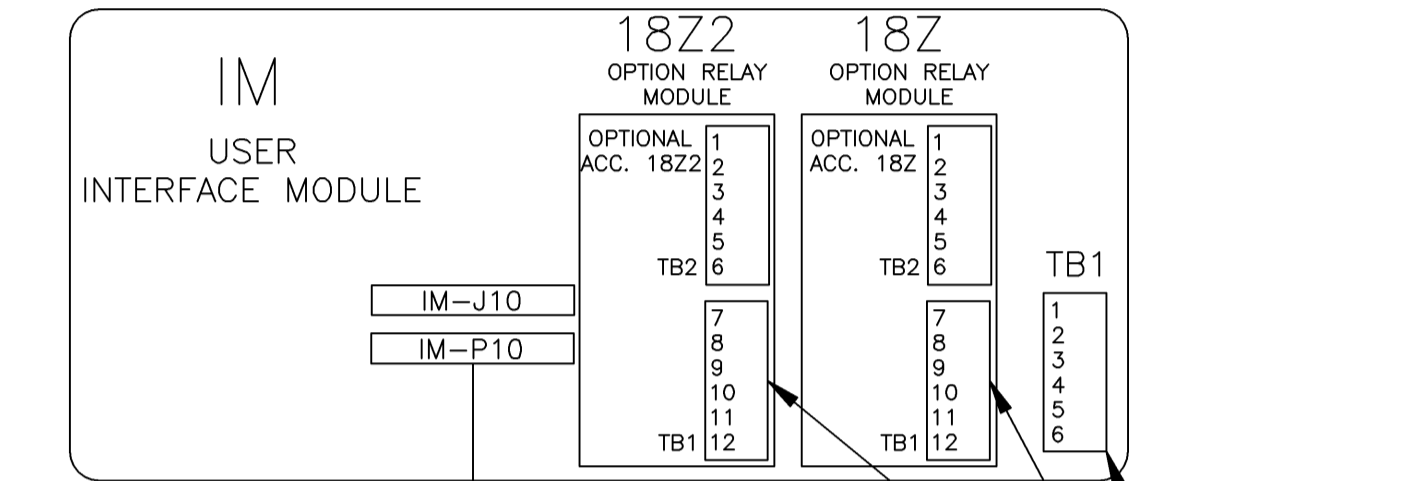
PHYSICAL DIAGRAM

ENCLOSURE

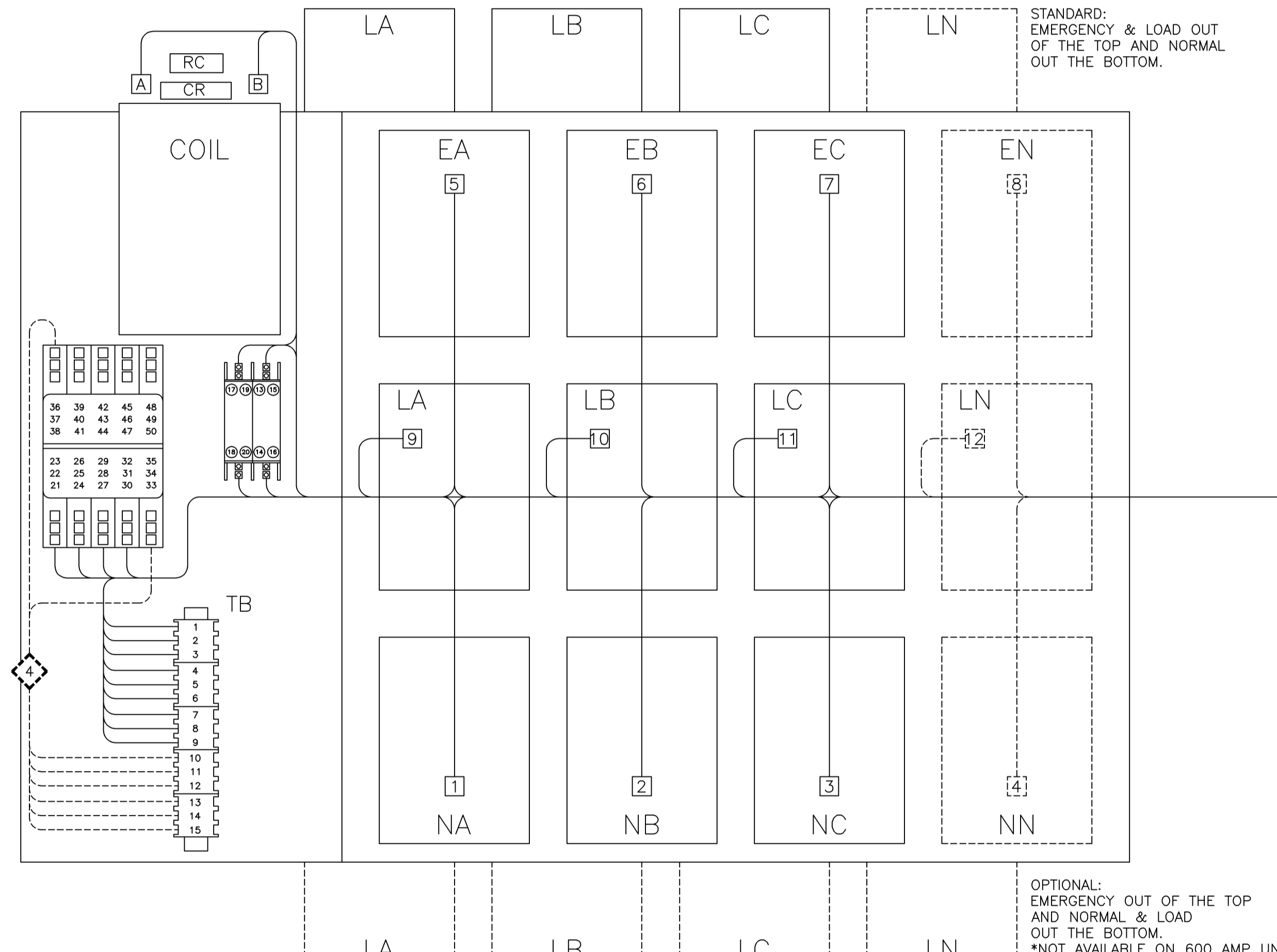
DOOR (INSIDE)

TS (TRANSFER SWITCH)
VIEW FROM INSIDE FRONT

OPTIONAL
POWERMANAGER
OR ADDITIONAL
OPERATOR CONTROLS
ESCUTCHEON MOUNTING

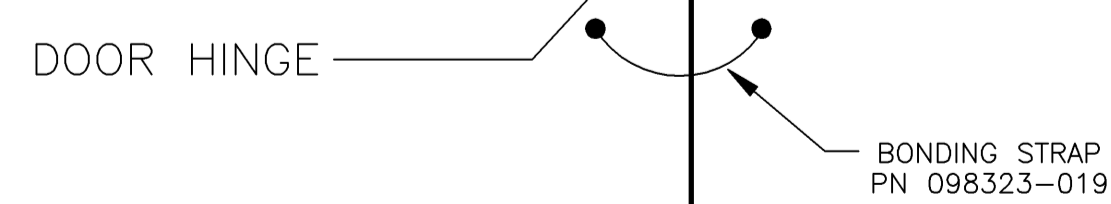


AP
OPTIONAL
ACCESSORY ADD-ON PANEL
MOUNTING



STANDARD:
EMERGENCY & LOAD OUT
OF THE TOP AND NORMAL
OUT THE BOTTOM.

OPTIONAL:
EMERGENCY OUT OF THE TOP
AND NORMAL & LOAD
OUT THE BOTTOM.
*NOT AVAILABLE ON 600 AMP UNITS.



C	214285	BWM	BWM	08/01/07
B	205832	JPB	JPB	9/8/05
A	205582	JPB	JPB	8/18/05
-	205285	JPB	JPB	7/26/05
-				ISSUE

PROJECT NAME:		WIRING DIAGRAM	
4000 SERIES (J4A/NTS)3PH 260-600 AMPS			
"J" FRAME, GROUP 5 CONTROLS			
BY	DATE	MANUFACTURING TOLERANCES TO BE IN ACCORDANCE WITH ASCO PROCEDURE MP-I-003. FOR PLASTIC PARTS SEE MP-I-055	ASSEM. REF. NO.
DRAWN BY	7/26/05		
CHECKED	7/26/05	PROPERTY OF ASCO POWER TECHNOLOGIES. USE PERMITTED FOR OUR WORK ONLY. ALL RIGHTS OF DESIGN OR INVENTION ARE RESERVED.	SCALE 1:1 SIZE DS
PROJECT APPROVAL			COMPUTER GENERATED DRAWING
FINAL APPROVAL	7/26/05		DWG. NO. 781123
		ASCO POWER TECHNOLOGIES, L.P. FLORHAM PARK, NEW JERSEY 07932 U.S.A.	DRAWING C ECN NO. 214285 SHEET 5 OF 6

