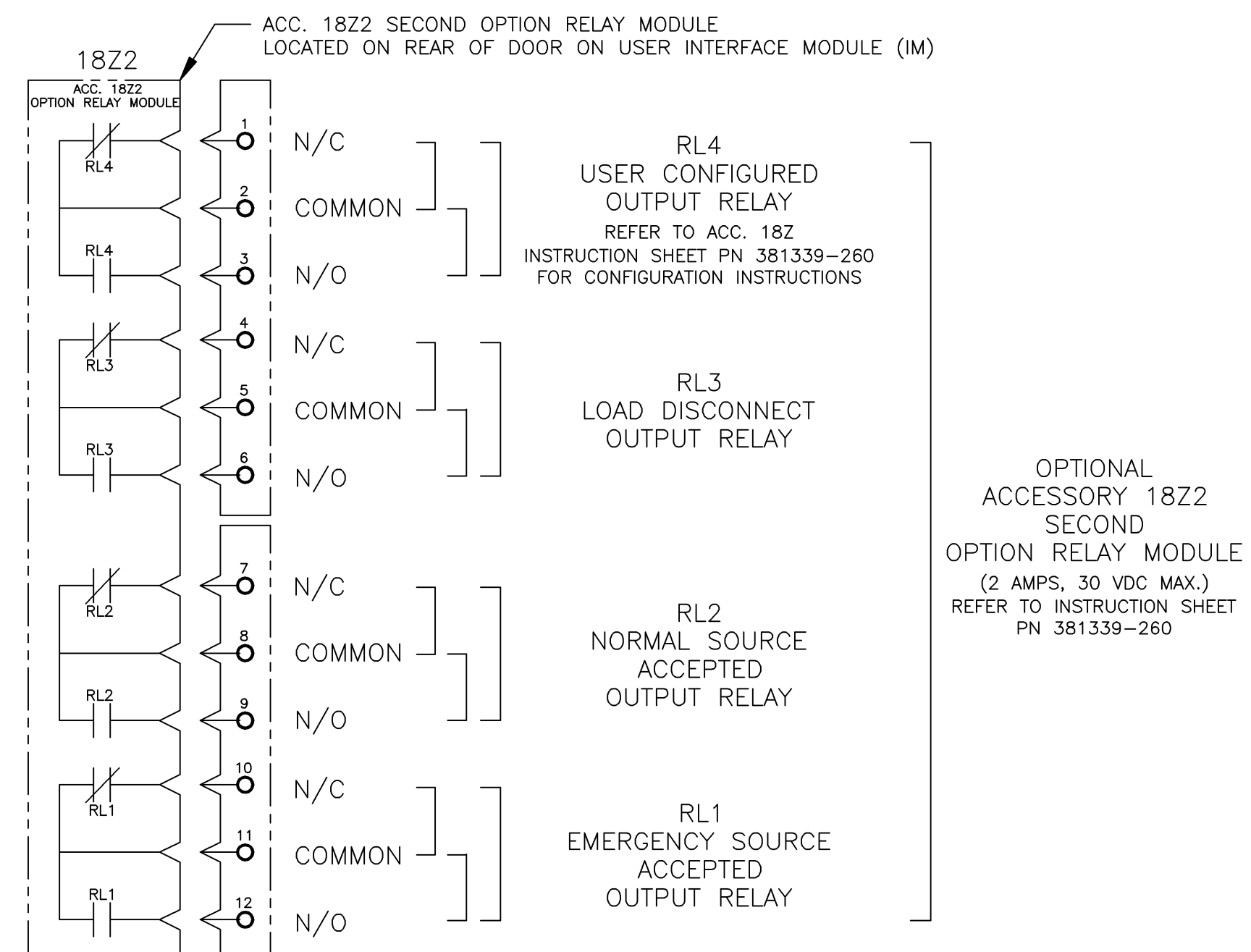
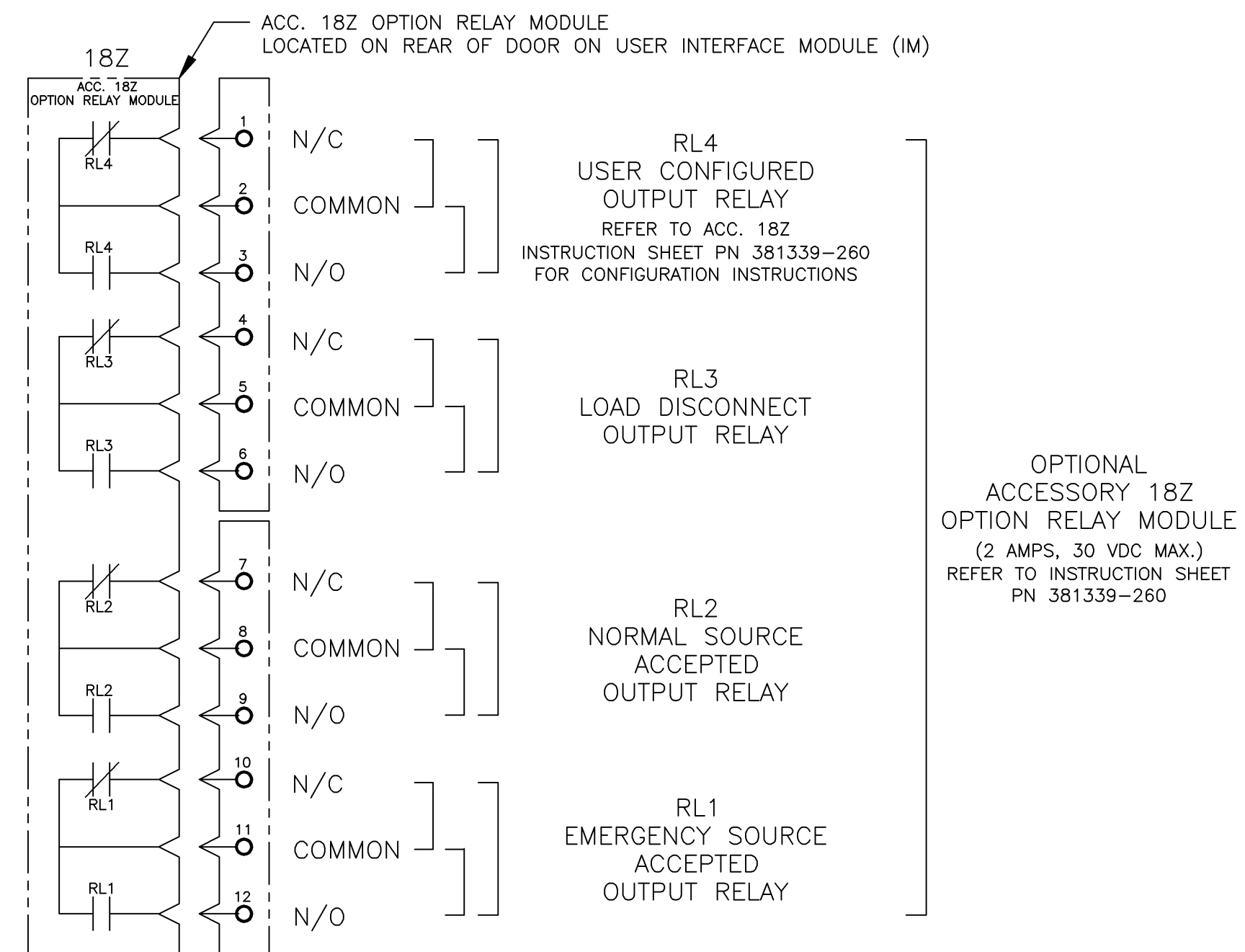
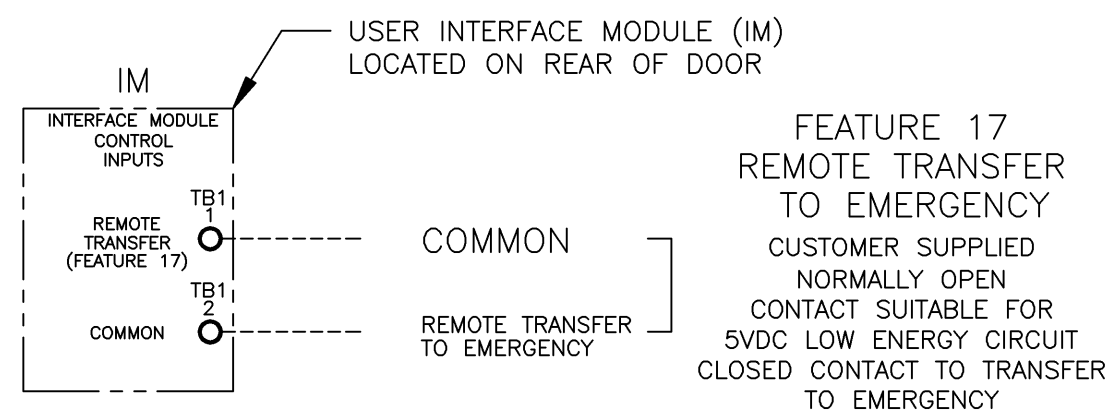
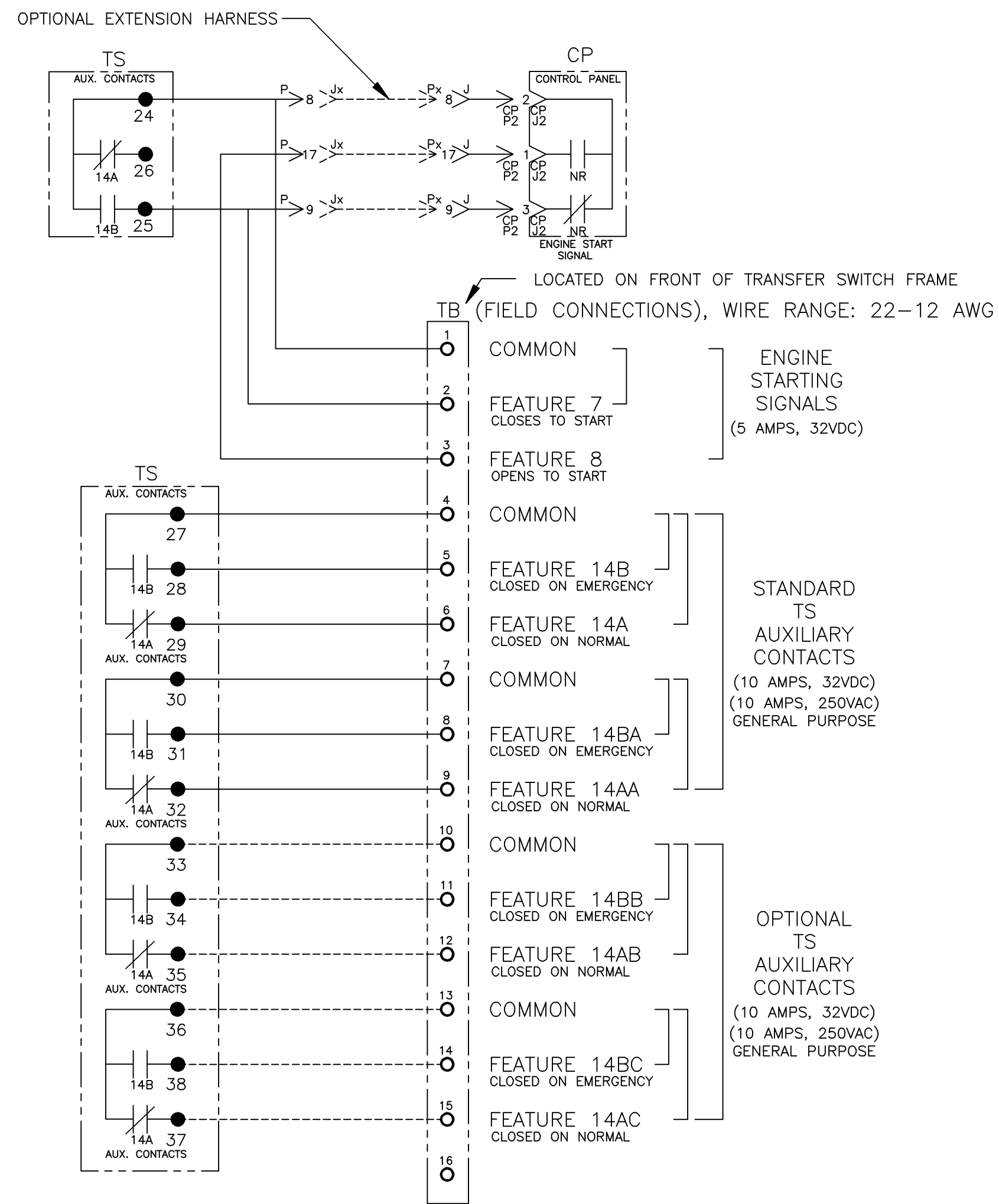




# FIELD CONNECTIONS



B	205832	JPB	JPB	9/8/05
	SEE ECN			
A	205582	JPB	JPB	8/18/05
	SEE ECN			
-	205285	JPB	JPB	7/26/05
	ISSUE			

PROJECT NAME:		CHANGE LETTER	ECN NO.	BY	APP.	DATE	
WIRING DIAGRAM		AE	AN	AM	AJ	AL	
4000 SERIES (J4ATS/J4NTS) GROUP 5 CONTROLS		CH	AV	AA	PS	AR	
		AG	AP	AC	AS		
THIRD ANGLE PROJECTION	SUBSIDIARY DISTRIBUTION						
MANUFACTURING TOLERANCES TO BE IN ACCORDANCE WITH ASCO PROCEDURE MP-1-003. FOR PLASTIC PARTS SEE MP-1-005.		COMPUTER GENERATED DRAWING				SCALE	1:1
ASSEMBLY	DATE	BY	APP.	DATE	FILE		
DRAWN BY	7/26/05	JPB	JPB	7/26/05	ACAD		
CHECKED BY	7/26/05	JPB	JPB	7/26/05	FILE		
DRAWING APPROVAL	PROPERTY OF ASCO POWER TECHNOLOGIES. USE PERMITTED FOR OUR WORK ONLY. ALL RIGHTS OF DESIGN OR INVENTION ARE RESERVED.						
FINAL APPROVAL	7/26/05	JPB	JPB	7/26/05	SIZE	DWG. NO.	
					DS781122		
					CHANGE LETTER	ECN NO.	
					B	205832	
						SHEET 2 OF 6	

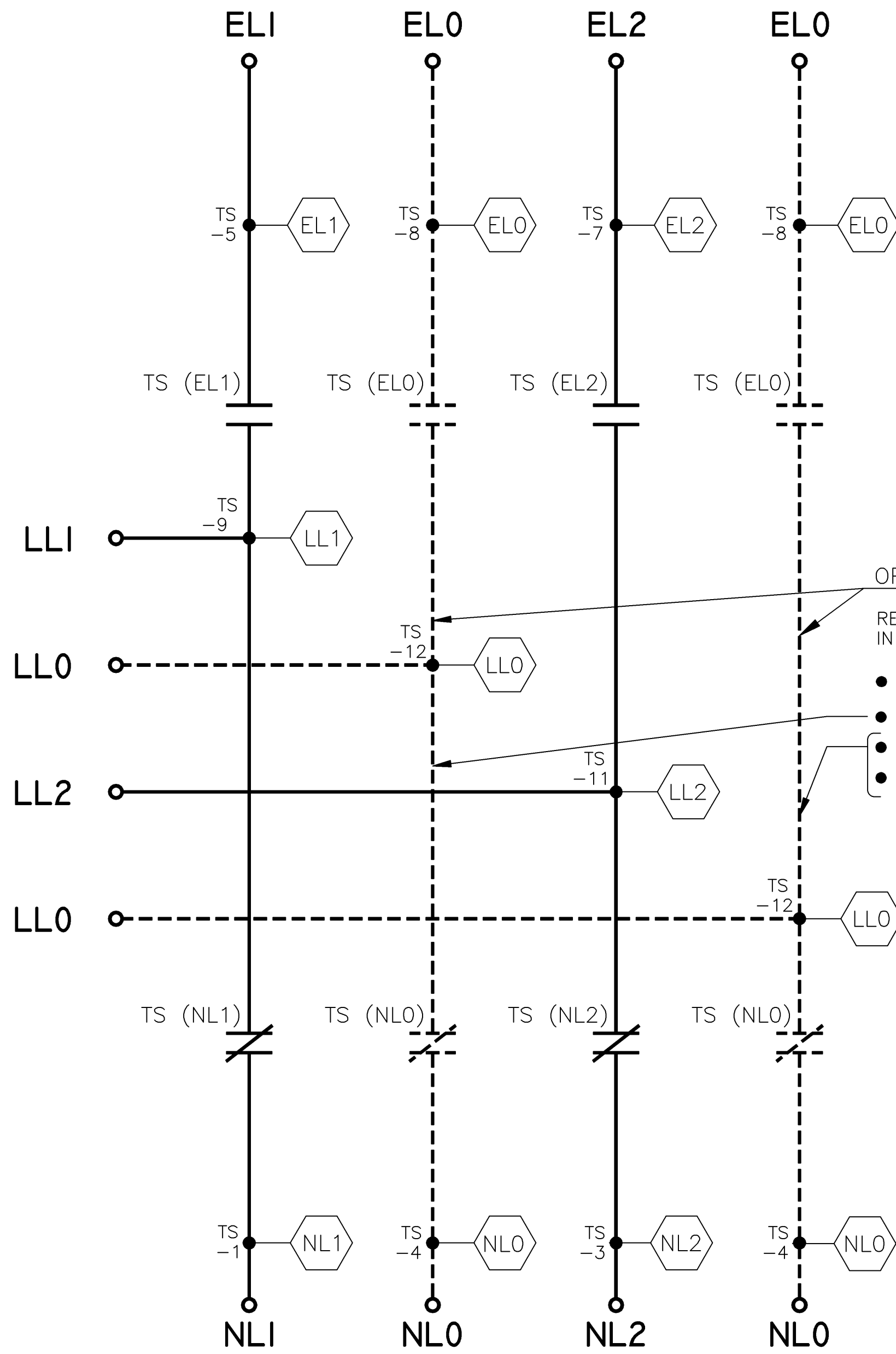


MAIN POWER POLES

TS OPERATOR CIRCUIT

EMERGENCY

NORMAL

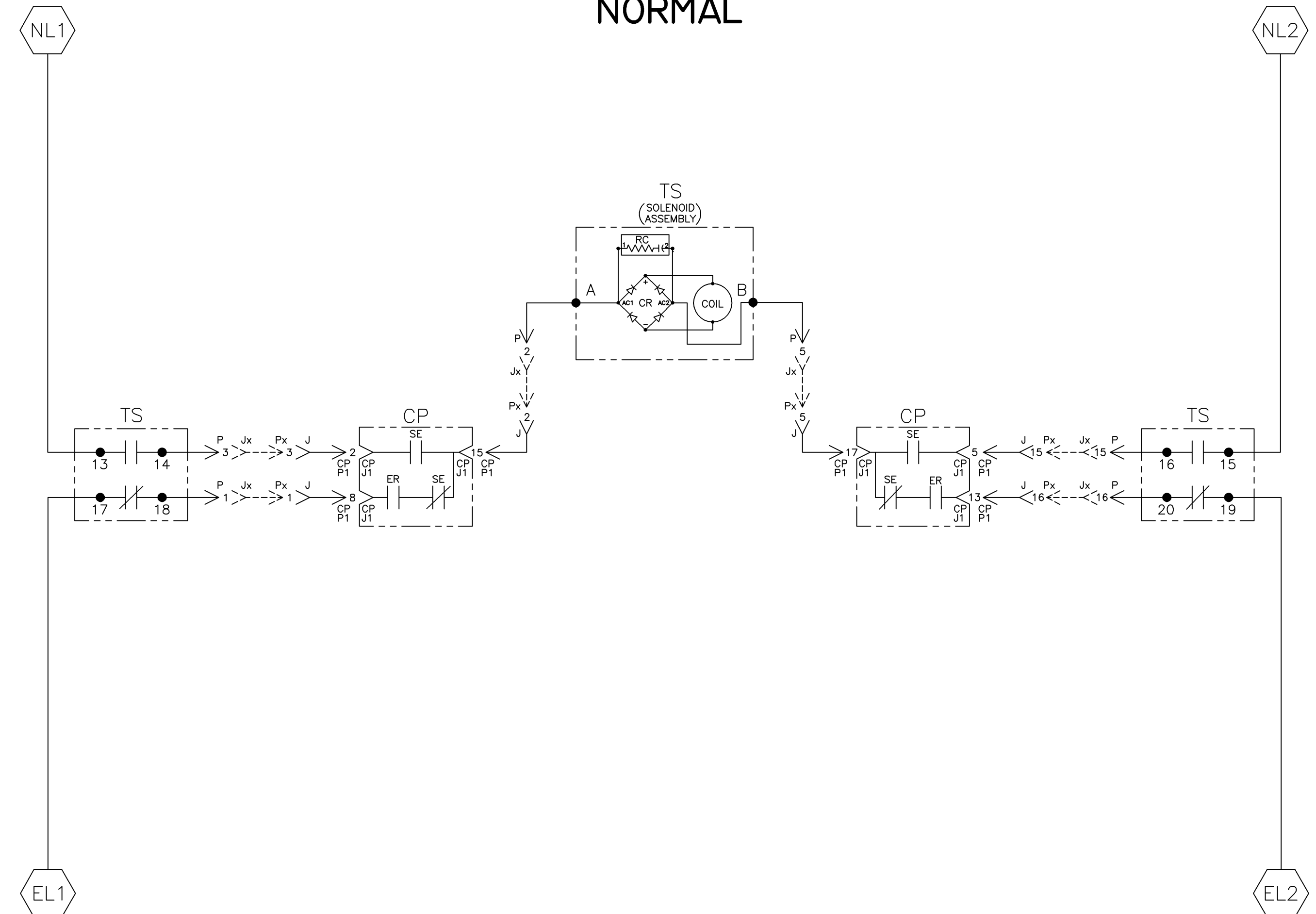


OPTIONAL NEUTRAL TYPES  
REFER TO "EXPLANATION OF CATALOG NUMBER CODES" IN CATALOG NUMBER CHART ON SHEET 1.

- NONE
- SWITCHING CONTACTS
- OVERLAPPING CONTACTS
- SOLID BUS PLATE

NORMAL

NOTE:  
ATS SHOWN CLOSED ON NORMAL SOURCE.



EMERGENCY

TS	SOLENOID POSITION			
	CLOSED	BEFORE	BEFORE	CLOSED
	NORMAL	TDC	<TDC	EMERG
13-14				
15-16				
17-18				
19-20				

TDC (TOP DEAD CENTER)  
TRANSFER SWITCH TEST & ADJUSTMENT PROCEDURE  
SPECIFIES CONTROL CUT-OFF (CONTACT OPENING)  
SETTING.

PROJECT NAME:		WIRING DIAGRAM		THIRD ANGLE PROJECTION	
4000 SERIES (J4ATS/J4NTS)		GROUP 5 CONTROLS		COMPUTER GENERATED DRAWING	
SCALE: 1:1	ACAD	FILE	DS781122		
ASCO	ASCO POWER TECHNOLOGIES, L.P.		FLORHAM PARK, NEW JERSEY 07932 U.S.A.		

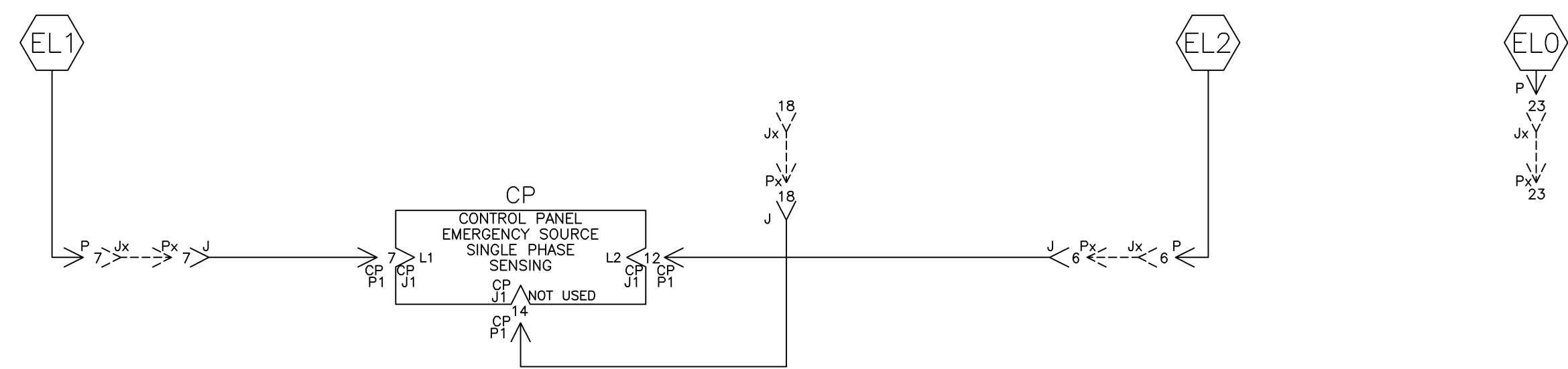
B	205832	JPB	JPB	9/8/05
SEE ECN				
A	205582	JPB	JPB	8/18/05
SEE ECN				
-	205285	JPB	JPB	7/26/05
ISSUE				

CHANGE LETTER	ECN NO.	BY	APP.	DATE
SUBSIDIARY DISTRIBUTION				
AE	AN	AM	AJ	AL
CH	AV	AA	PS	AR
AG	AP	AC	AS	

EMERGENCY SOURCE CIRCUITS

ADDITIONAL CIRCUITS

EMERGENCY



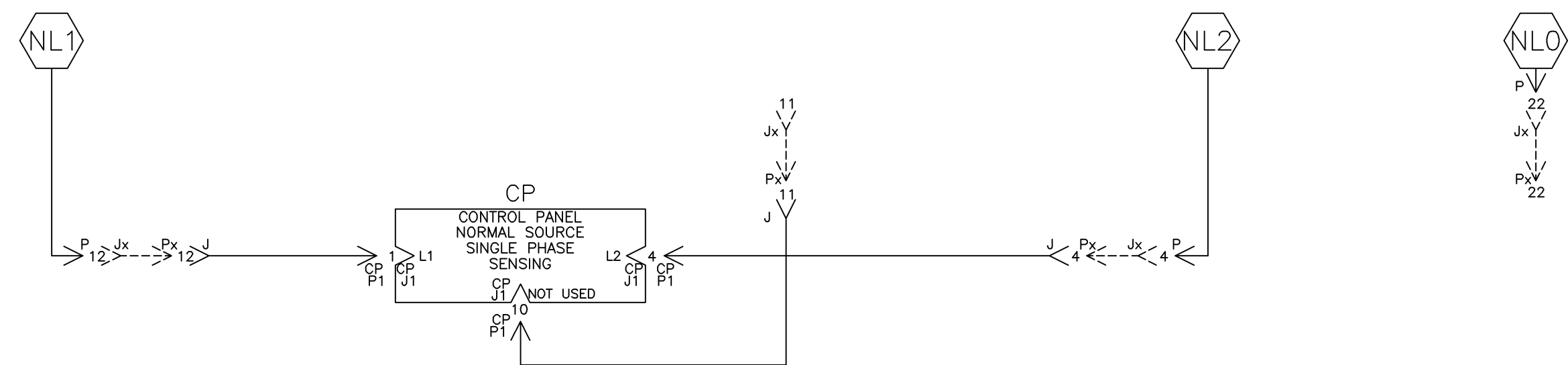
LOAD TERMINAL CIRCUITS

LOAD

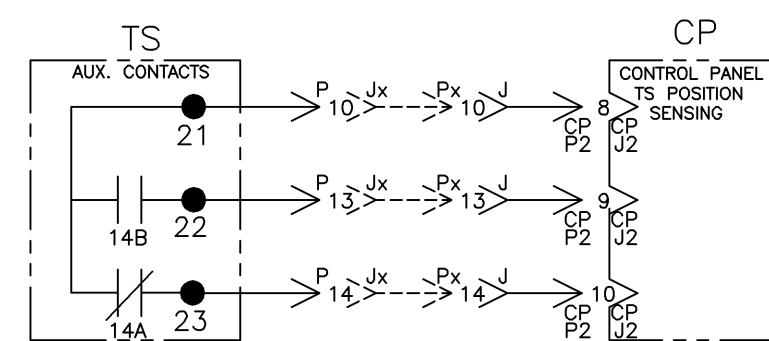


NORMAL SOURCE CIRCUITS

NORMAL



CONTROL CIRCUITS



B	205832	JPB	JPB	9/8/05
SEE ECN				
A	205582	JPB	JPB	8/18/05
SEE ECN				
-	205285	JPB	JPB	7/26/05
ISSUE				

PROJECT NAME:		WIRING DIAGRAM		THIRD ANGLE PROJECTION	
4000 SERIES (J4ATS/J4NTS)		GROUP 5 CONTROLS		COMPUTER GENERATED DRAWING	
BY	DATE	MANUFACTURING TOLERANCES TO BE IN ACCORDANCE WITH ASCO PROCEDURE MP-1-003. FOR PLASTIC PARTS SEE MP-1-055		ASSEM. REF. NO.	
DRAWN BY	JPB	7/26/05			
CHECKED	JPB	7/26/05	PROPERTY OF ASCO POWER TECHNOLOGIES. USE PERMITTED FOR OUR WORK ONLY. ALL RIGHTS OF DESIGN OR INVENTION ARE RESERVED.		SCALE 1:1 ACAD FILE
DRAFTING APPROVAL					SIZE DWG. NO. DS781122
FINAL APPROVAL	JPB	7/26/05	ASCO POWER TECHNOLOGIES, L.P. FLORHAM PARK, NEW JERSEY 07932 U.S.A.		CHANGE LETTER ECN NO. 205832 SHEET 4 OF 6

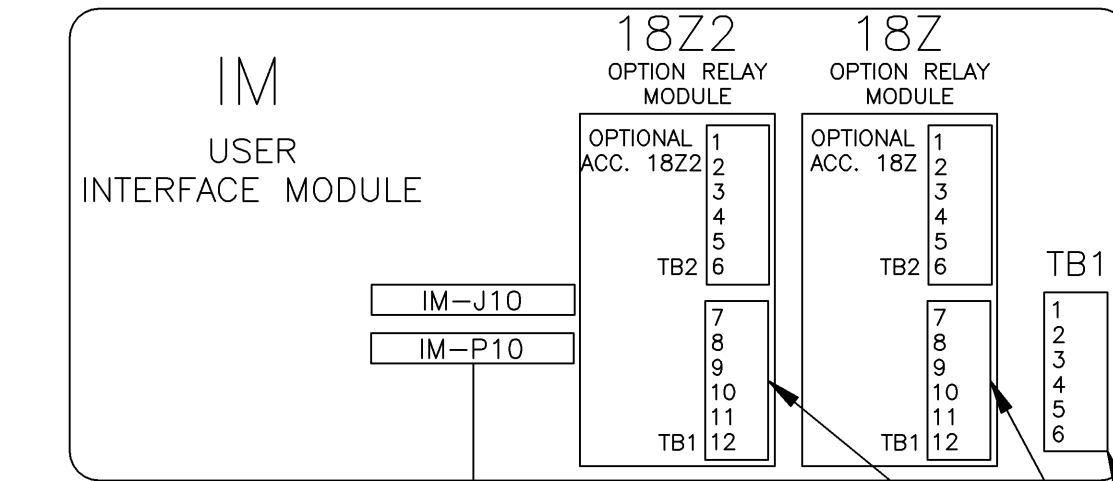
PHYSICAL DIAGRAM

ENCLOSURE

TS (TRANSFER SWITCH)  
VIEW FROM INSIDE FRONT

DOOR (INSIDE)

OPTIONAL  
POWERMANAGER  
OR ADDITIONAL  
OPERATOR CONTROLS  
ESCUTCHEON MOUNTING



IM/CP  
HARNESS  
BASE PN 766102  
(REFER TO BILL  
OF MATERIAL)

CP-P10

CP-J10

CP-P1  
CP-J1  
CP-P2  
CP-J2

SE ER CP

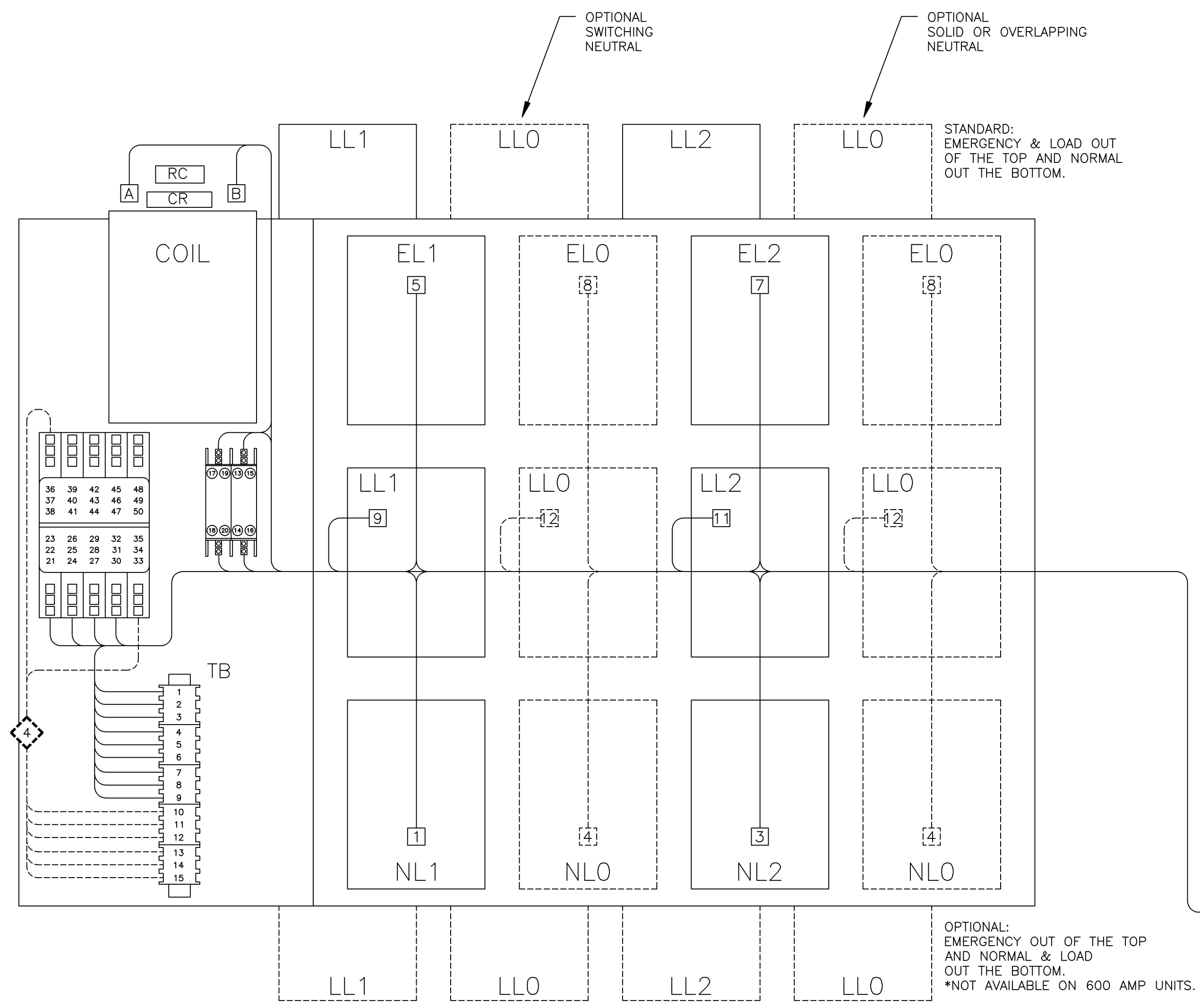
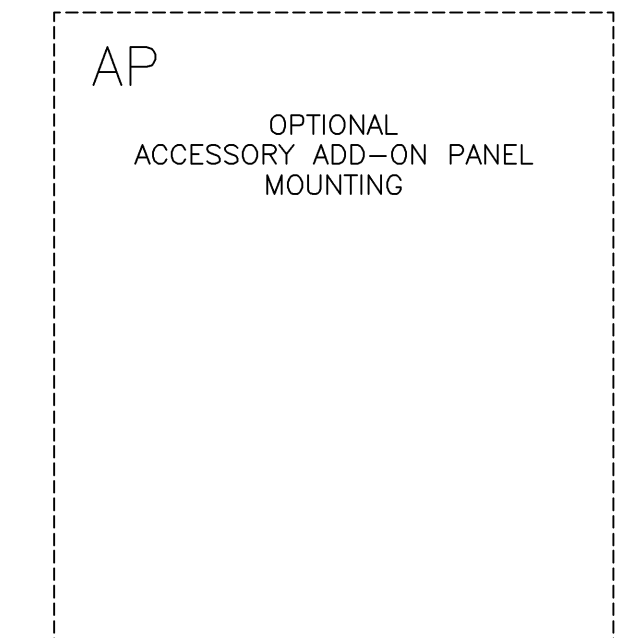
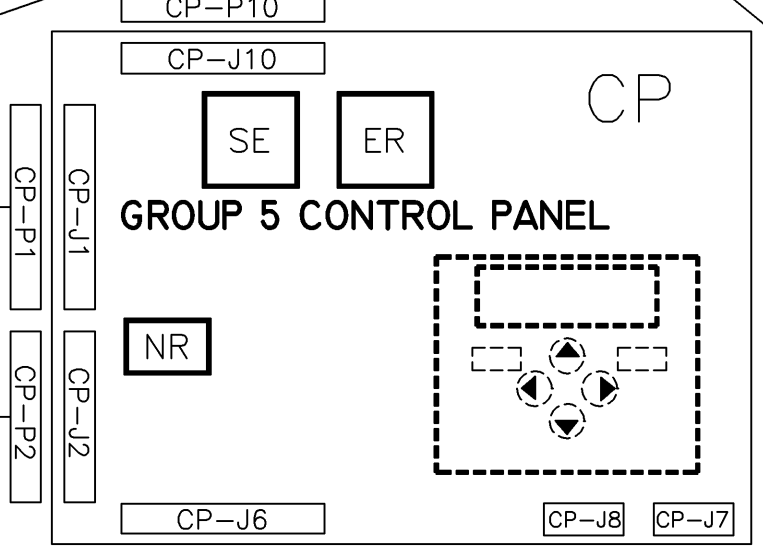
NR

CP-J6

CP-J8 CP-J7

USER INTERFACE  
MODULE FIELD  
TERMINATIONS

ACC. 18Z & 18Z2  
FIELD  
TERMINATIONS



DOOR HINGE

BONDING STRAP  
PN 098323-019

B	205832	JPB	JPB	9/8/05
SEE ECN				
A	205582	JPB	JPB	8/18/05
SEE ECN				
-	205285	JPB	JPB	7/26/05
ISSUE				

PROJECT NAME:		WIRING DIAGRAM		THIRD ANGLE PROJECTION	
4000 SERIES (J4ATS/J4NTS)		GROUP 5 CONTROLS		COMPUTER GENERATED DRAWING	
SCALE	1:1	ACAD	FILE		
SIZE	DWG. NO.	DS781122			
CHANGE LETTER	ECN NO.	205832	SHEET	5 OF 6	
MANUFACTURING TOLERANCES TO BE IN ACCORDANCE WITH ASCO PROCEDURE MP-1-003. FOR PLASTIC PARTS SEE MP-1-055. ASSEM. REF. NO.					
PROPERTY OF ASCO POWER TECHNOLOGIES. USE PERMITTED FOR OUR WORK ONLY. ALL RIGHTS OF DESIGN OR INVENTION ARE RESERVED.					
ASCO POWER TECHNOLOGIES, L.P. FLORHAM PARK, NEW JERSEY 07932 U.S.A.					

