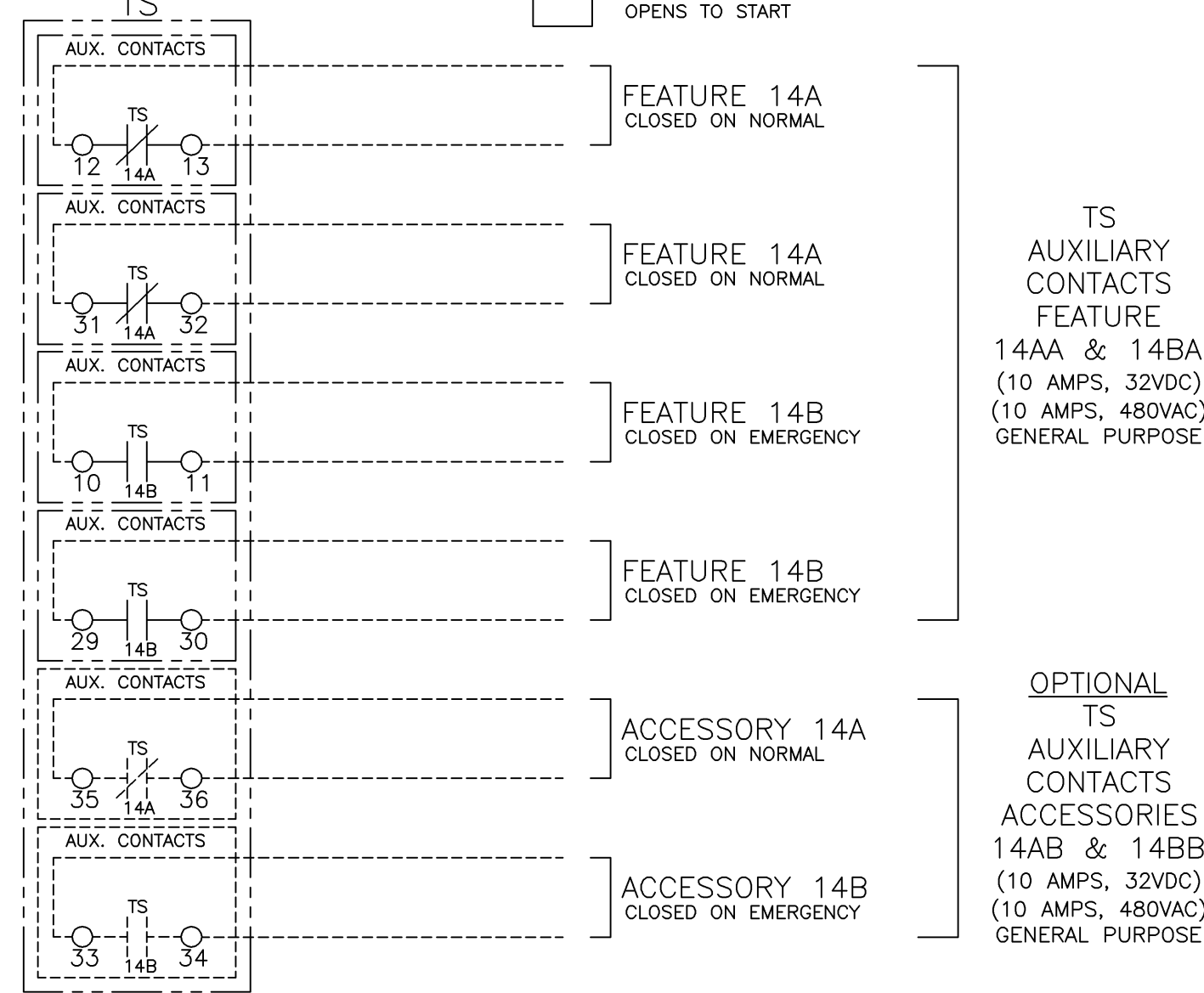
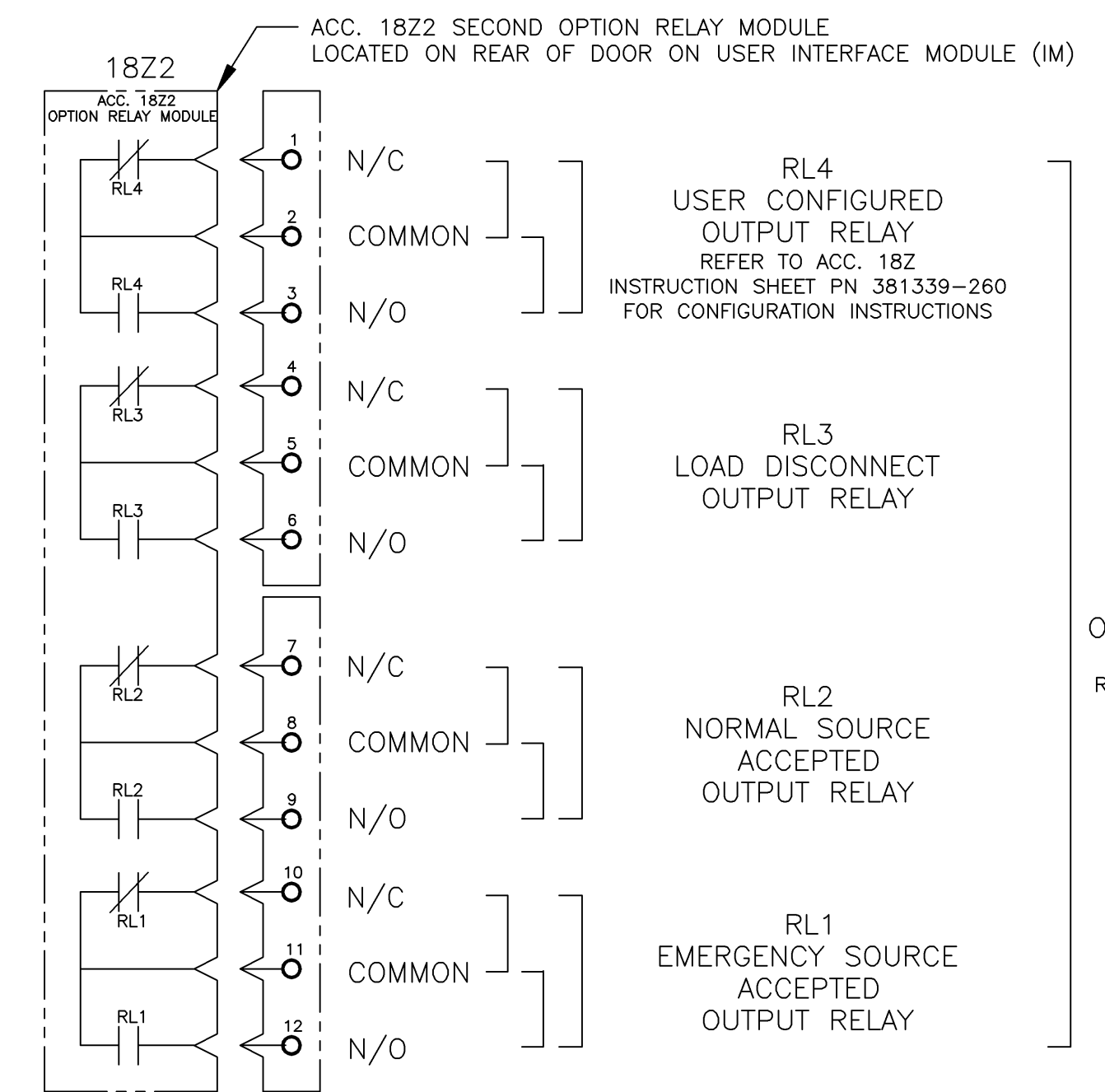
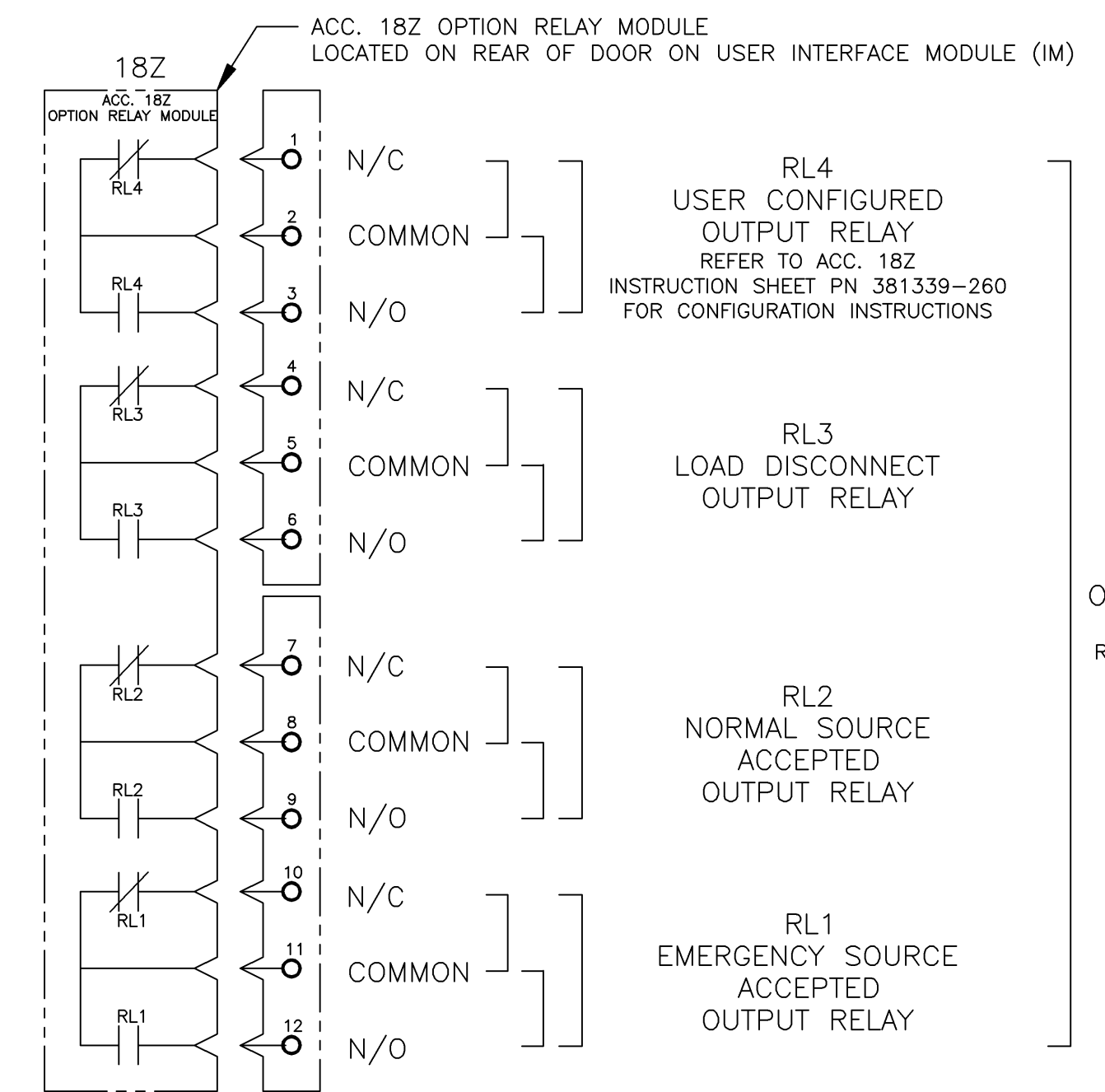
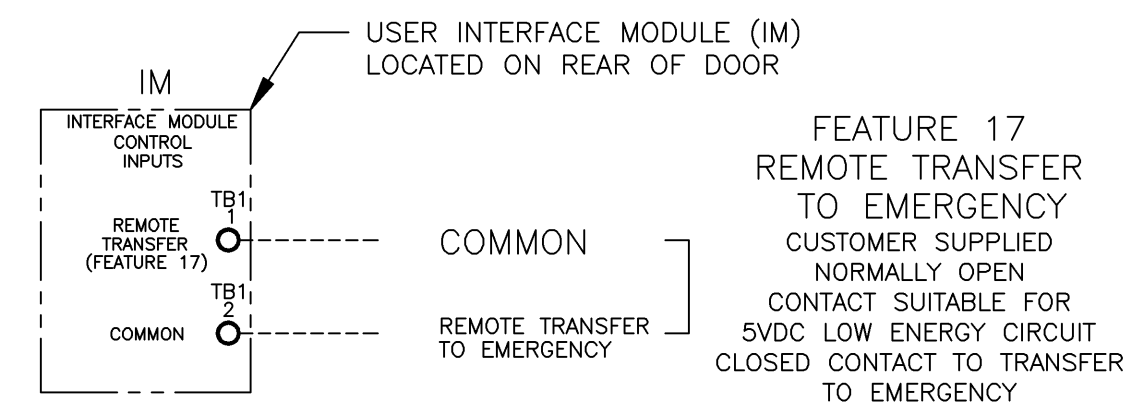
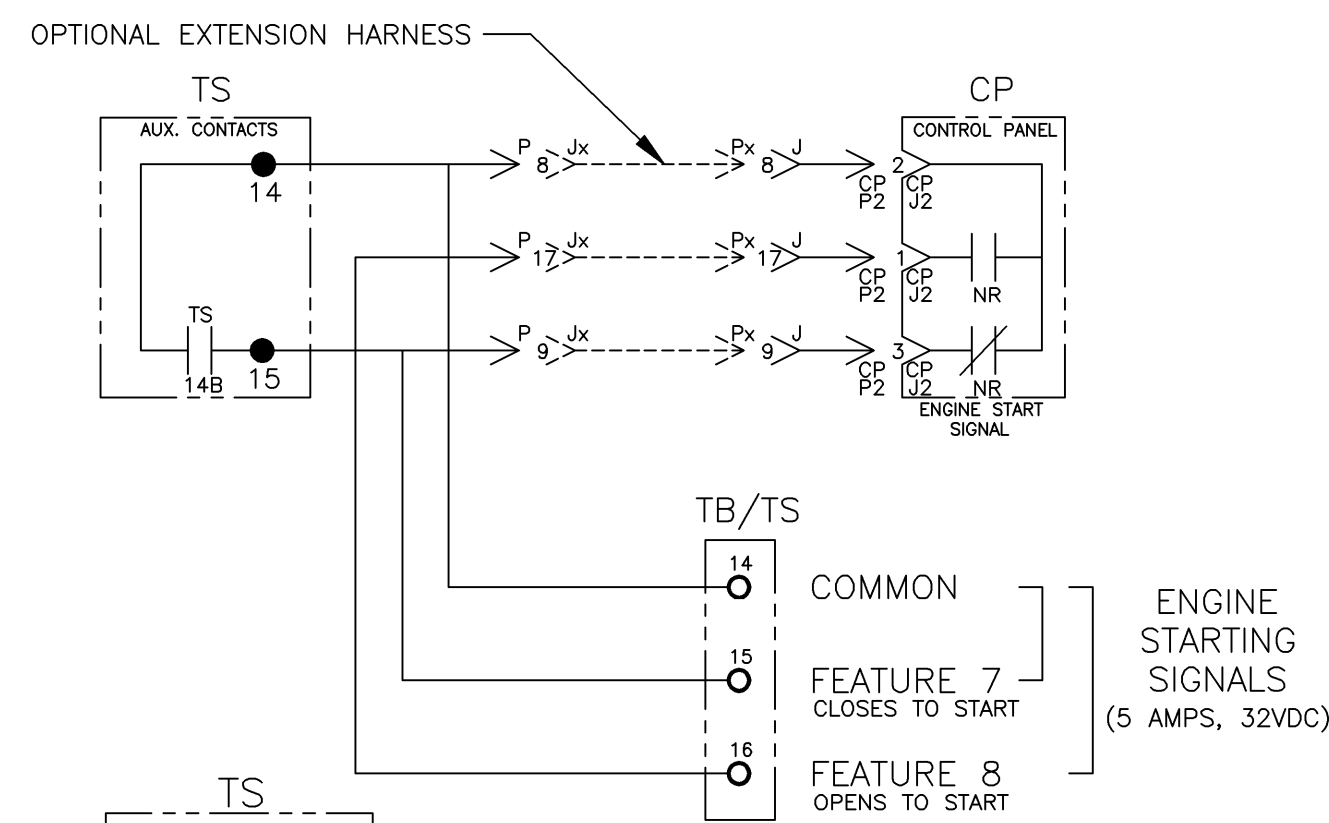




# FIELD CONNECTIONS



E	214285	BWM	BWM	08/01/07
D	211117	PBP	WK	12/04/06
C	206776	BK	WK	11/29/05
B	205269	JPB	JPB	7/22/05
A	205151	JPB	JPB	7/13/05
-	204692	JPB	JPB	6/2/05
-				ISSUE

PROJECT NAME:		REV. TO SHEET	ECN NO.	BY	APP.	DATE
WIRING DIAGRAM						
4000 SERIES (D4ATS/D4NTS)1PH 30-230 AMPS						
"D" FRAME, GROUP 5 CONTROLS						
DRAWN BY	DATE	MANUFACTURING TOLERANCES TO BE IN ACCORDANCE WITH ASCO PROCEDURE MP-1-003. FOR PLASTIC PARTS SEE MP-1-055	ASSEM. REF. NO.	COMPUTER GENERATED DRAWING		
CHECKED	DATE	PROPERTY OF ASCO POWER TECHNOLOGIES. USE PERMITTED FOR OUR WORK ONLY. ALL RIGHTS OF DESIGN OR INVENTION ARE RESERVED.		SCALE	1:1	SIZE DS
PROJECT APPROVAL				766492		
FINAL APPROVAL	DATE			DRAWING REV.	ECN NO.	SHEET
				E	214285	2 OF 6

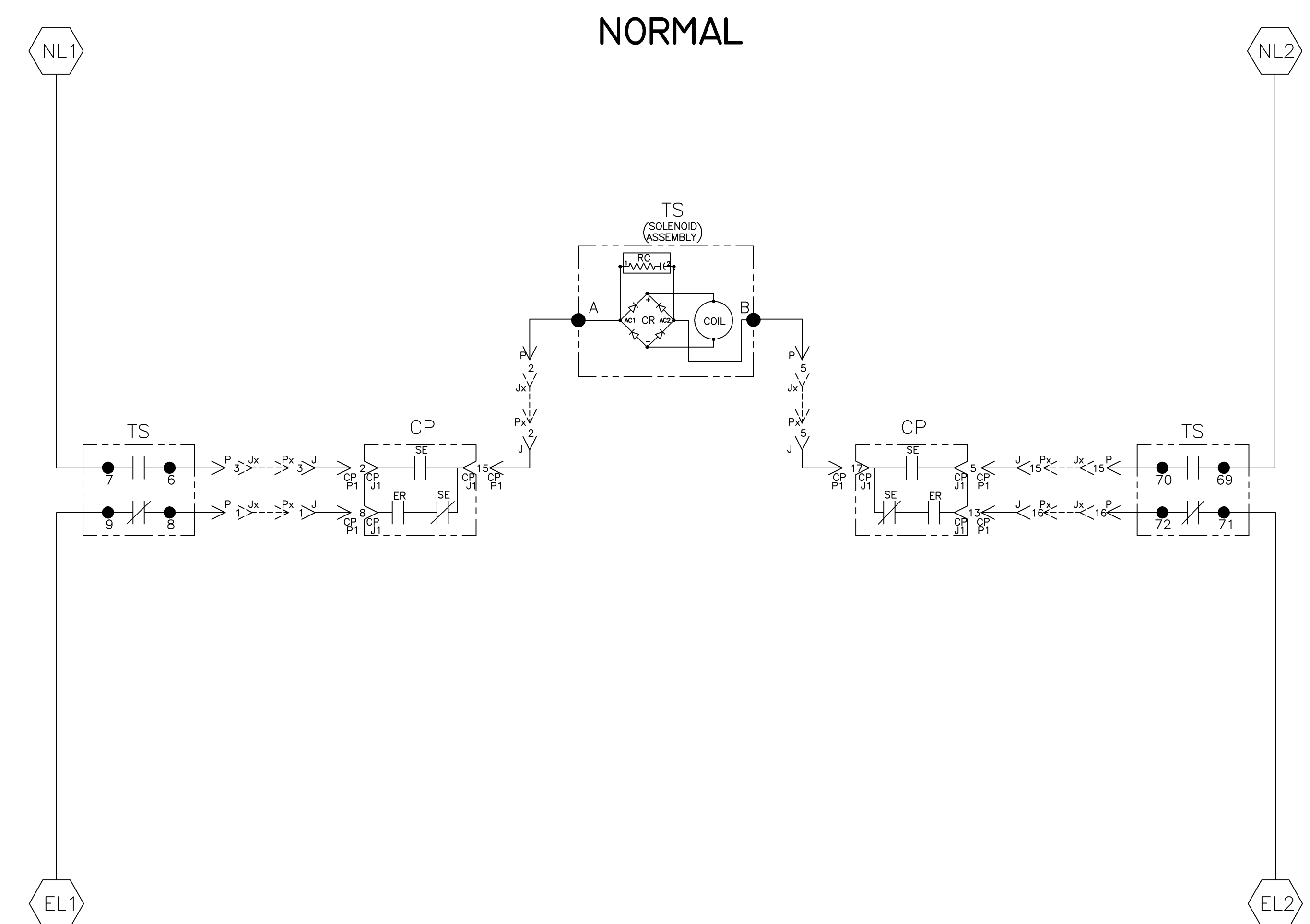
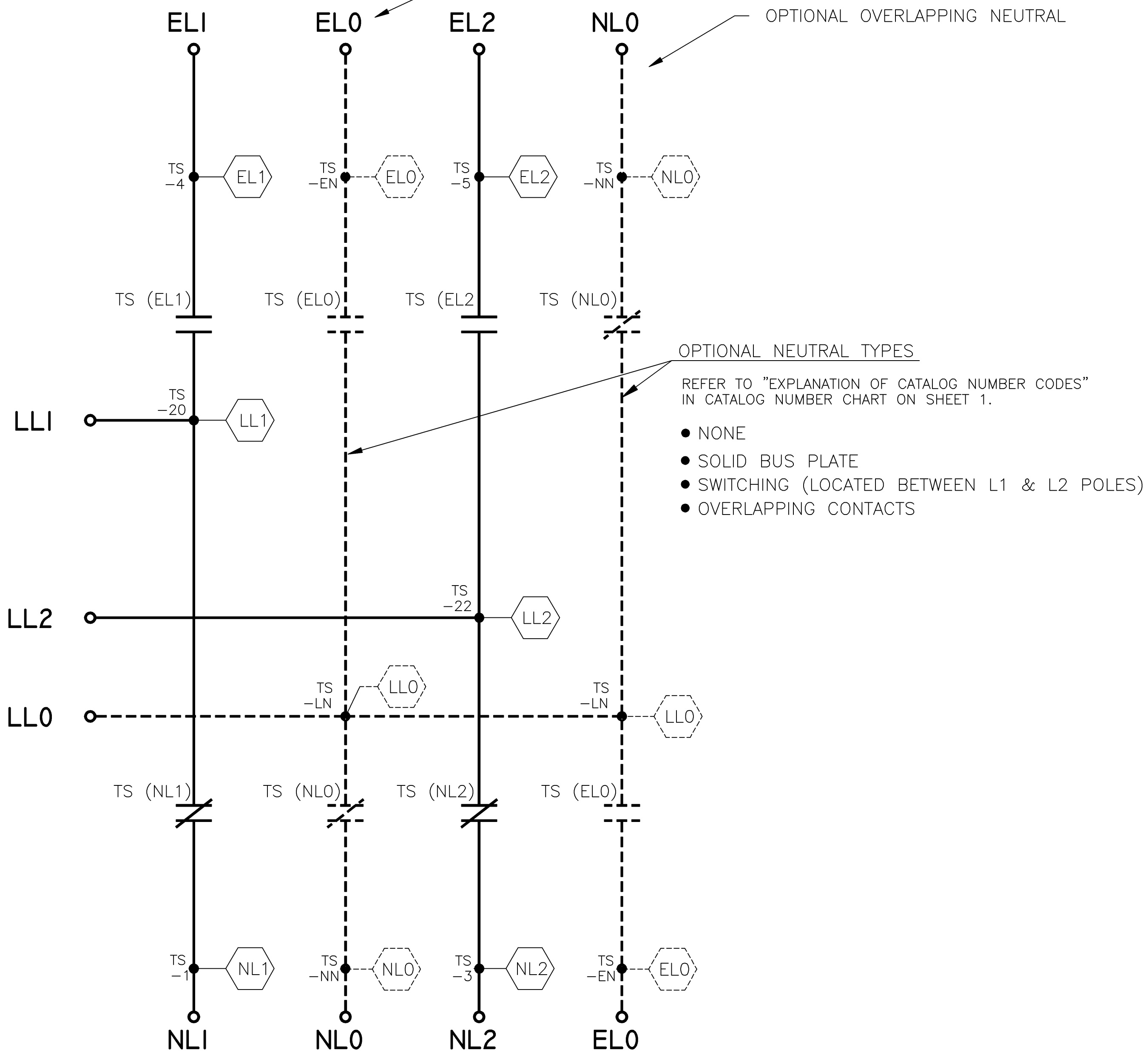


MAIN POWER POLES

TS OPERATOR CIRCUIT

EMERGENCY

NORMAL



EMERGENCY

NOTE:  
ATS/NTS SHOWN CLOSED ON NORMAL SOURCE.

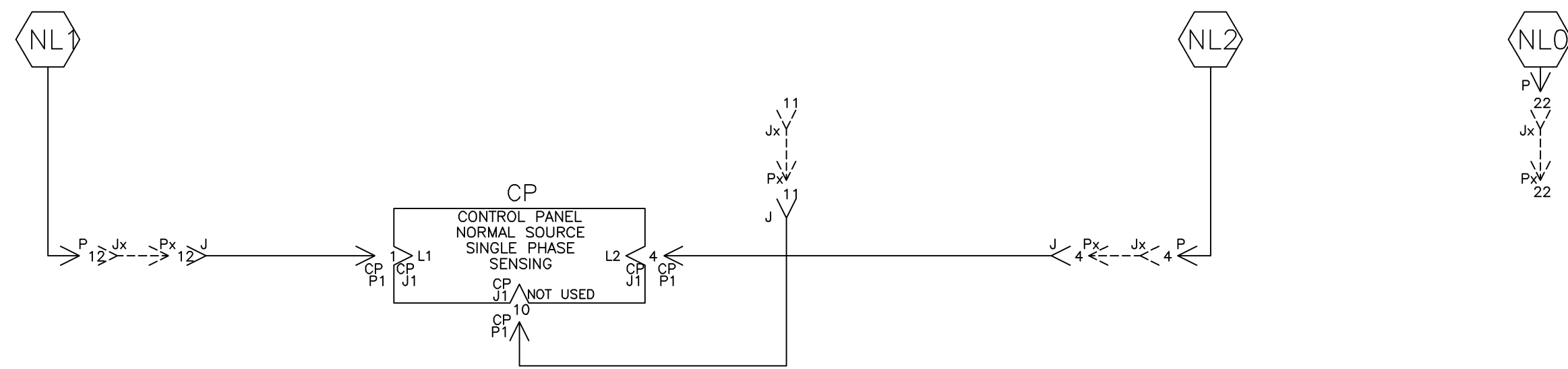
TS (MUS) CONTACTS		SOLENOID POSITION			
TS		BEFORE TDC >		BEFORE <TDC	
		NORM	EMER	EMER	NORM
7-6					
69-70					
8-9					
71-72					

PROJECT NAME:		REV. TO SHEET	ECN NO.	BY	APP.	DATE
WIRING DIAGRAM						
4000 SERIES (D4ATS/D4NTS)1PH 30-230 AMPS		ASSEMBLY REF. NO.		COMPUTER GENERATED DRAWING		
"D" FRAME, GROUP 5 CONTROLS		SCALE: 1:1		SIZE: DS		
DRAWN BY	DATE	MANUFACTURING TOLERANCES TO BE IN ACCORDANCE WITH ASCO PROCEDURE MP-1-003. FOR PLASTIC PARTS SEE MP-1-005.		PROPERTY OF ASCO POWER TECHNOLOGIES. USE PERMITTED FOR OUR WORK ONLY. ALL RIGHTS OF DESIGN OR INVENTION ARE RESERVED.		
CHECKED	DATE	ASCO		766492		
PROJECT APPROVAL	DATE	ASCOT		DRAWING REV. E		
FINAL APPROVAL	DATE	ASCOT		ECN NO. 214285		
		ASCOT		SHEET 3 OF 6		

NORMAL SOURCE CIRCUITS

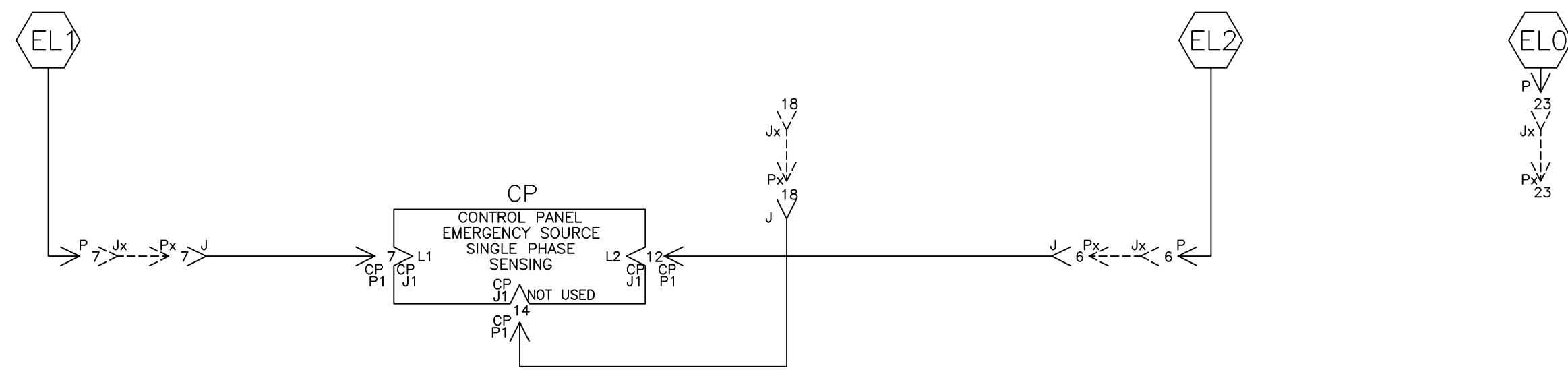
ADDITIONAL CIRCUITS

**NORMAL**



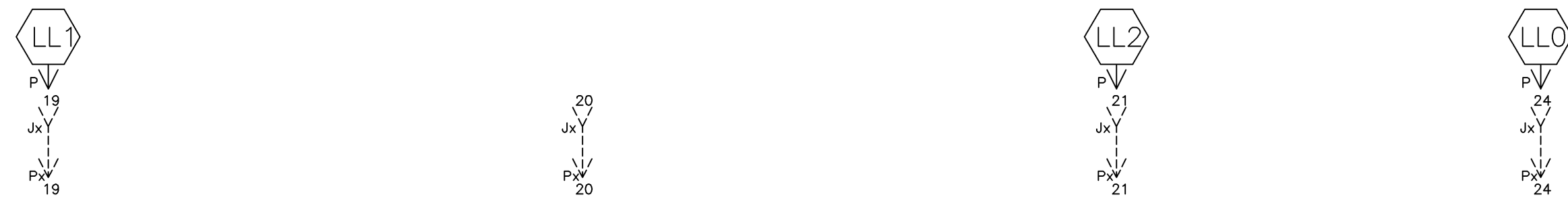
EMERGENCY SOURCE CIRCUITS

**EMERGENCY**

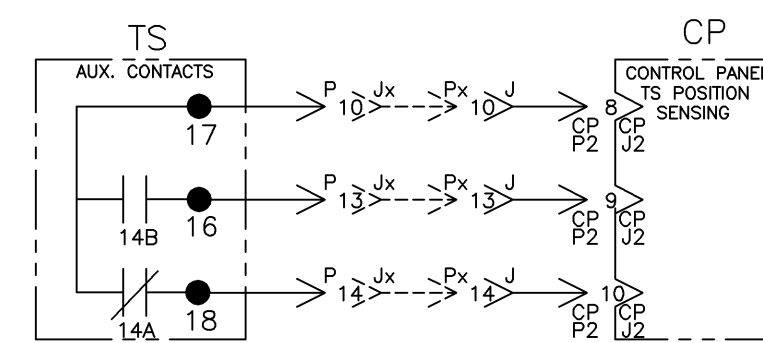


LOAD TERMINAL CIRCUITS

**LOAD**



CONTROL SIGNALS & INDICATION



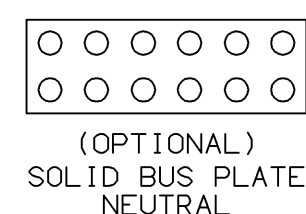
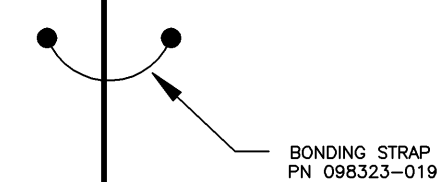
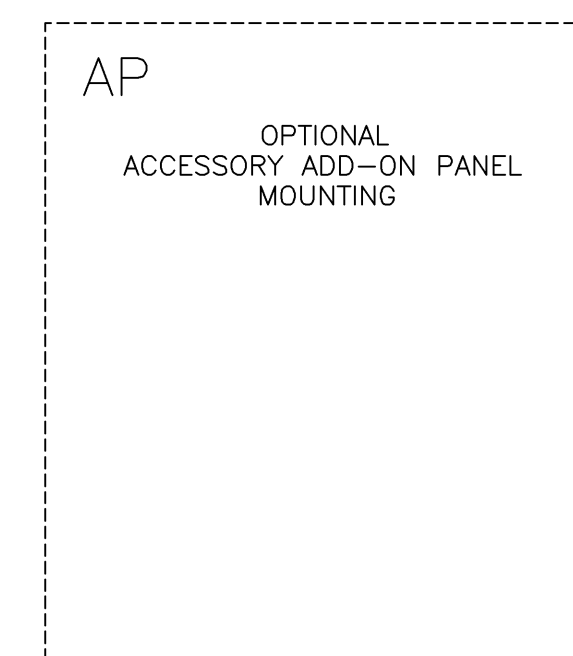
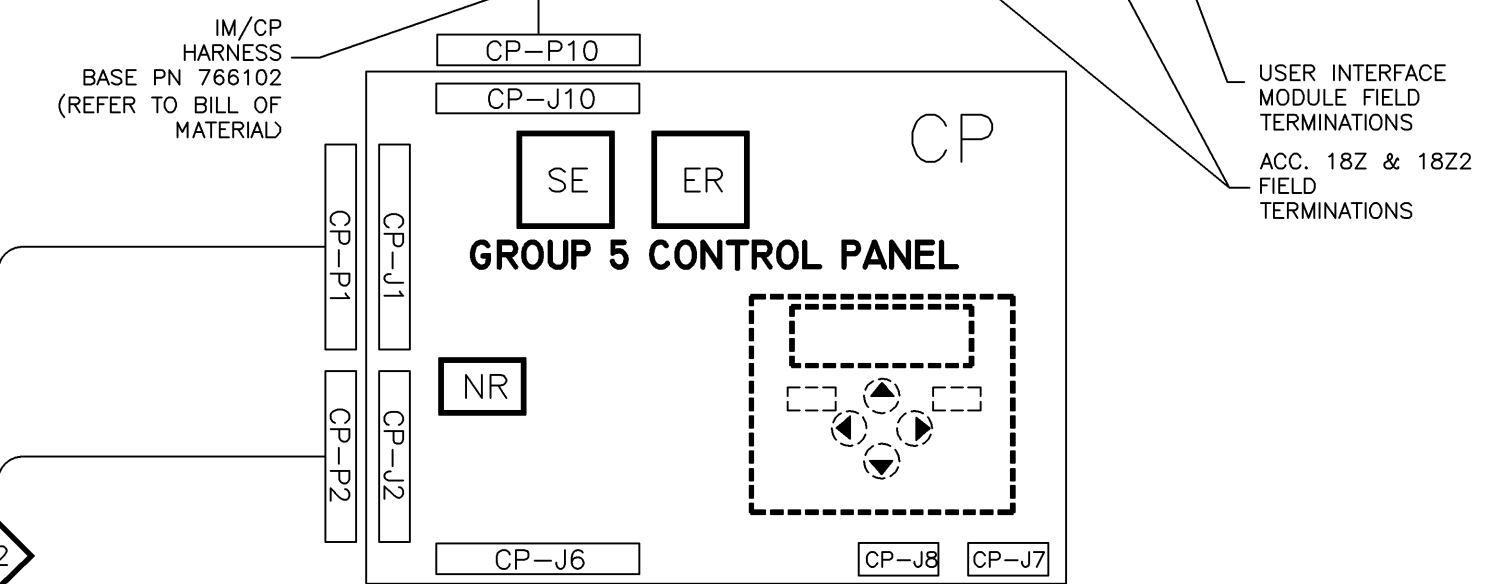
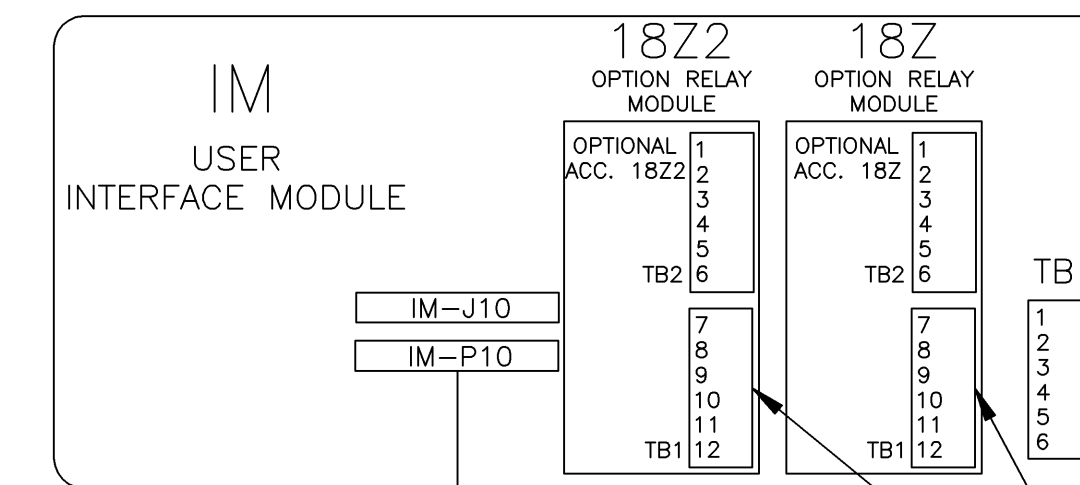
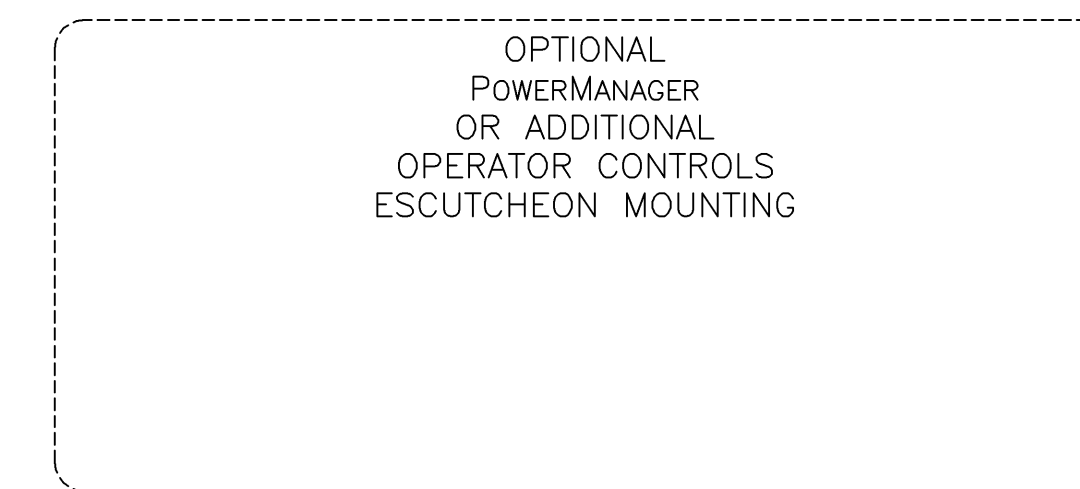
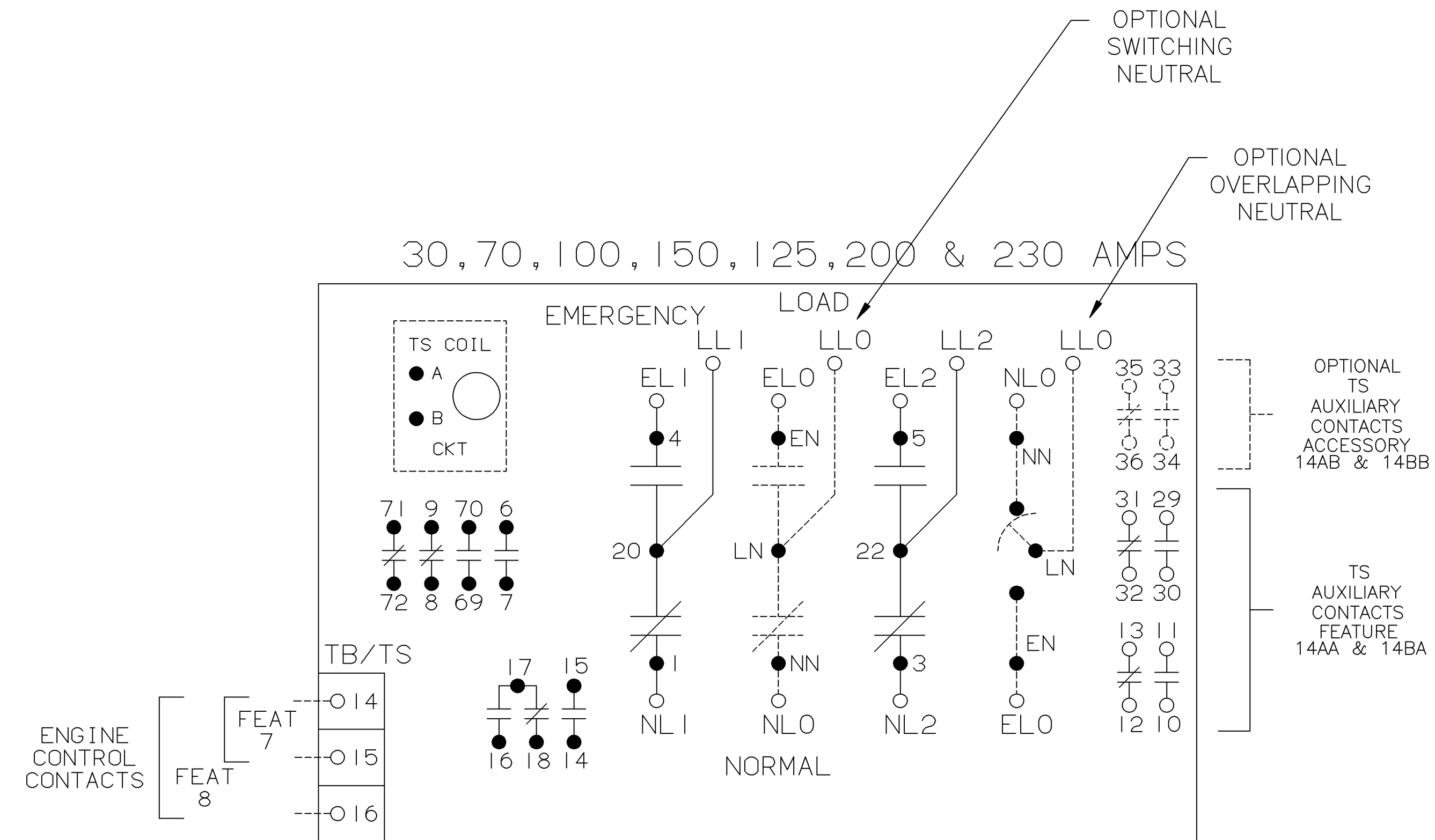
E	214285	BWM	BWM	08/01/07
	SEE	ECN		
D	211117	PBP	WK	12/04/06
	SEE	ECN		
C	206776	BK	WK	11/29/05
	SEE	ECN		
B	205269	JPB	JPB	7/22/05
	SEE	ECN		
A	205151	JPB	JPB	7/13/05
	SEE	ECN		
-	204692	JPB	JPB	6/2/05
	ISSUE			

PROJECT NAME:		REV. TO SHEET	ECN NO.	BY	APP.	DATE
WIRING DIAGRAM						
4000 SERIES (D4ATS/D4NTS)1PH 30-230 AMPS		MANUFACTURING TOLERANCES TO BE IN ACCORDANCE WITH ASCO PROCEDURE MP-1-003. FOR PLASTIC PARTS SEE MP-1-005.		ASSEM. REF. NO.		COMPUTER GENERATED DRAWING
"D" FRAME, GROUP 5 CONTROLS		PROPERTY OF ASCO POWER TECHNOLOGIES. USE PERMITTED FOR OUR WORK ONLY. ALL RIGHTS OF DESIGN OR INVENTION ARE RESERVED.		SCALE 1:1 SIZE DS		DWG. NO. 766492
DRAWN BY	JPB	DATE	6/2/05	ASCO POWER TECHNOLOGIES, L.P.		DRAWING REV. E
CHECKED	JPB	DATE	6/2/05	FLORHAM PARK, NEW JERSEY 07932 U.S.A.		ECN NO. 214285
PROJECT APPROVAL						SHEET 4 OF 6
FINAL APPROVAL	JPB	DATE	6/2/05			

PHYSICAL DIAGRAM

ENCLOSURE

TOP DOOR (INSIDE)



E	214285	BWM	BWM	08/01/07
D	211117	PBP	WK	12/04/06
C	206776	BK	WK	11/29/05
B	205269	JPB	JPB	7/22/05
A	205151	JPB	JPB	7/13/05
-	204692	JPB	JPB	6/2/05
-				ISSUE

PROJECT NAME:		DIAGRAM	
4000 SERIES (D4ATS/D4NTS)1PH 30-230 AMPS			
"D" FRAME, GROUP 5 CONTROLS			
BY	DATE	MANUFACTURING TOLERANCES TO BE IN ACCORDANCE WITH ASCO PROCEDURE MP-1-003. FOR PLASTIC PARTS SEE MP-1-055	ASSEM. REF. NO.
DRAWN BY	6/2/05		
CHECKED	6/2/05	PROPERTY OF ASCO POWER TECHNOLOGIES. USE PERMITTED FOR OUR WORK ONLY. ALL RIGHTS OF DESIGN OR INVENTION ARE RESERVED.	
PROJECT APPROVAL			
FINAL APPROVAL	6/2/05		
SCALE: 1:1		SIZE: DS	
DWG. NO. 766492		COMPUTER GENERATED DRAWING	
REV. E	ECN NO. 214285	SHEET 5 OF 6	

**ASCO** ASCO POWER TECHNOLOGIES, L.P.  
FLORHAM PARK, NEW JERSEY 07932 U.S.A.

