

# THREE PHASE WIRING FOR ASCO® 7000 SERIES AUTOMATIC TRANSFER SWITCHES TYPE 7ATS RATED 30, 70, 100, 150, 200, & 230 AMPERES

## FEATURES, SETTINGS, OPERATION, ACCESSORIES & NOTES

THE FOLLOWING FEATURES AND RELATED SETTINGS ARE PART OF THE GROUP 5 CONTROL PANEL'S USER CONFIGURABLE PARAMETERS. FOR DETAILED INFORMATION REGARDING THE CONFIGURATION OF THESE PARAMETERS AND OTHER FEATURES OF THE GROUP 5 CONTROL PANEL, REFER TO THE GROUP 5 CONTROL PANEL FOR ASCO® 7000 SERIES AUTOMATIC TRANSFER SWITCHES USER'S GUIDE (PART NO. 381333-126) PROVIDED WITH EVERY 7000 SERIES AUTOMATIC TRANSFER SWITCH.

THE NOMINAL OPERATING VOLTAGE & FREQUENCY IS PRE-PROGRAMMED AT THE FACTORY BASED ON THE NAMEPLATE DATA PRINTED ON THE TRANSFER SWITCH & CONTROL PANEL NAMEPLATES.

### VOLTAGE & FREQUENCY SENSING

THE FOLLOWING SETTINGS ARE EXPRESSED AS A PERCENTAGE OF THE CONTROL PANEL'S NOMINAL VOLTAGE SETTING UNLESS STATED OTHERWISE. ALL SETTINGS ARE ADJUSTABLE IN INCREMENTS OF 1%.

A. RMS VOLTAGE SENSING ON ALL PHASES OF THE NORMAL & EMERGENCY SOURCES.

PARAMETER	RANGE OF SETTINGS	DEFAULT SETTING
NORMAL VOLTAGE DROPOUT	70-98%	85%
NORMAL VOLTAGE PICKUP	85-100%	90%
NORMAL OVER VOLTAGE TRIP	102-115%	OFF
NORMAL VOLTAGE UNBALANCE	YES/NO	NO
NORMAL VOLTAGE UNBALANCE DROPOUT	5-20% OF AVG. NORMAL VOLTAGE	20% (if ON)
NORMAL VOLTAGE UNBALANCE PICKUP	3-18% OF AVG. NORMAL VOLTAGE	10% (if ON)
EMERGENCY VOLTAGE DROPOUT	70-98%	75%
EMERGENCY VOLTAGE PICKUP	85-100%	90%
EMERGENCY OVER VOLTAGE TRIP	102-115%	OFF
EMERGENCY VOLTAGE UNBALANCE	YES/NO	NO
EMERGENCY VOLTAGE UNBALANCE DROPOUT	5-20% OF AVG. EMERGENCY VOLTAGE	20% (if ON)
EMERGENCY VOLTAGE UNBALANCE PICKUP	3-18% OF AVG. EMERGENCY VOLTAGE	10% (if ON)

B. FREQUENCY SENSING OF THE NORMAL & EMERGENCY SOURCES.

PARAMETER	RANGE OF SETTINGS	DEFAULT SETTING
NORMAL FREQUENCY DROPOUT	85-98%	90%
NORMAL FREQUENCY PICKUP	90-100%	95%
NORMAL OVER FREQUENCY TRIP	102-110%	OFF
EMERGENCY FREQUENCY DROPOUT	85-98%	90%
EMERGENCY FREQUENCY PICKUP	90-100%	95%
EMERGENCY OVER FREQUENCY TRIP	102-110%	OFF

### TIME DELAYS

THE FOLLOWING TIME DELAY SETTINGS ALL HAVE AN ADJUSTABLE RANGE OF 0-60 min 59 sec UNLESS STATED OTHERWISE. ADJUSTABLE IN INCREMENTS OF 1 sec.

NOTE: SOME TIME DELAYS MAY BE EFFECTED BY CUSTOMER REQUESTED ACCESSORIES PROVIDED WITH THE UNIT. REFER TO THE DESCRIPTIONS PROVIDED UNDER THE "ACCESSORIES" NOTES ON THIS PAGE.

FEATURE	NAME	DEFAULT SETTING
1C	NORMAL SOURCE FAILURE TO ENGINE START	1 sec
2B	TRANSFER TO EMERGENCY ON AVAILABILITY OF EMERGENCY SOURCE	0 sec
1F	EMERGENCY SOURCE FAILURE RETRANSFER (NORMAL SOURCE AVAILABLE)	0 sec
2E	ENGINE COOLDOWN FOLLOWING RETRANSFER TO NORMAL	5 min
3A	RETRANSFER TO NORMAL (NORMAL FAILURE MODE)	30 min
3A	RETRANSFER TO NORMAL (TEST MODE)	30 sec
-	DELAYED TRANSFER (LOAD "OFF" TIME), [0-5 min 59 sec]	3 sec

DESCRIPTIONS OF TIME DELAYS:

FEAT. 1C - DELAY ON NORMAL SOURCE OUTAGE. STARTS ON FAILURE OF NORMAL SOURCE. RESETS IF NORMAL SOURCE IS ACCEPTED BEFORE EXPIRATION. INHIBITS ENGINE STARTING AND AUTOMATIC TRANSFER UNTIL EXPIRATION.

FEAT. 2B - DELAY PRIOR TO TRANSFER TO THE EMERGENCY SOURCE. DELAY STARTS ON EXPIRATION OF FEAT. 1C AND WHEN THE EMERGENCY SOURCE HAS BEEN ACCEPTED. DELAY RESETS IF THE EMERGENCY SOURCE FAILS PRIOR TO EXPIRATION. ON EXPIRATION, TRANSFER TO EMERGENCY IS INITIATED UNLESS THE NORMAL SOURCE HAS RECOVERED AND THE "COMMIT TO TRANSFER" FEATURE IS SET TO "NO" COMMIT. PROVIDES A PERIOD FOR EMERGENCY SOURCE STABILIZATION OR STAGING OF MULTIPLE TRANSFER SWITCH CONTROLLED LOADS TO THE EMERGENCY SOURCE.

FEAT. 1F - DELAY ON RETRANSFER TO NORMAL IN THE EVENT OF EMERGENCY SOURCE FAILURE. DELAY BEGINS ON FAILURE OF THE EMERGENCY SOURCE IF THE NORMAL SOURCE IS ACCEPTABLE. ON EXPIRATION, RETRANSFER TO NORMAL WILL BE INITIATED.

FEAT. 2E - DELAY ON ENGINE SHUTDOWN (ENGINE COOL DOWN PERIOD). DELAY STARTS FOLLOWING RETRANSFER TO THE NORMAL SOURCE. PROVIDES A PERIOD FOR THE ENGINE-GENERATOR SET TO RUN UNLOADED PRIOR TO SHUTDOWN.

FEAT. 3A - RETRANSFER TO NORMAL DELAY (NORMAL FAILURE MODE) DELAY STARTS WHEN NORMAL SOURCE IS ACCEPTED (FOLLOWING IT'S FAILURE) AND WHILE THE LOAD IS CONNECTED TO EMERGENCY. RESETS IF NORMAL FAILS PRIOR TO EXPIRATION OR IF THE EMERGENCY SOURCE FAILS BEFORE EXPIRATION AND FEAT. 1F EXPIRES (AUTOMATIC BYPASS ON EMERGENCY SOURCE FAILURE). PROVIDES A PERIOD FOR THE NORMAL SOURCE TO STABILIZE PRIOR TO RETRANSFER.

FEAT. 3A - RETRANSFER TO NORMAL DELAY (TEST MODE) DELAY STARTS WHEN THE "TRANSFER TEST" SWITCH IS RESET TO "AUTO" (FOLLOWING A USER INITIATED TRANSFER TEST) AND WHILE THE LOAD IS CONNECTED TO EMERGENCY. RESETS IF NORMAL FAILS PRIOR TO EXPIRATION OR IF THE EMERGENCY SOURCE FAILS BEFORE EXPIRATION AND FEAT. 1F EXPIRES (AUTOMATIC BYPASS ON EMERGENCY SOURCE FAILURE).

### MOTOR LOAD TRANSFER FEATURE

FEAT. 27 - INPHASE TRANSFER CONTROL LOGIC TO INITIATE AN INPHASE TRANSFER OF LOADS BETWEEN LIVE SOURCES. USED TO PREVENT NUISANCE TRIPPING OF CIRCUIT BREAKERS AND POSSIBLE DAMAGE TO MECHANICAL LOADS CAUSED BY OUT OF PHASE TRANSFER.

ACTIVATED VIA THE GROUP 5 CONTROL PANEL USER INTERFACE (TRANSFER CONTROL CENTER) BY SELECTING "IN-PHASE MONITOR ENABLE" = YES. AN ADJUSTABLE DELAY (0.0-3.0 sec, FACTORY SET TO 1.5 sec, IN INCREMENTS OF 0.1 sec) DELAYS SENSING TO PERMIT STABILIZATION OF THE SOURCES PRIOR TO SENSING. FACTORY SETTING IS DISABLED UNLESS SPECIFIED TO BE FACTORY ACTIVATED AT THE TIME OF ORDER.

\* 200 & 230 AMP SIZES ARE 480V MAX.

### ENGINE EXERCISER

THE ENGINE EXERCISER FEATURE PROVIDES A MEANS TO PERFORM AUTOMATIC EXERCISING OF THE ENGINE-GENERATOR SET EITHER WITH OR WITHOUT LOAD TRANSFER.

THE USER CAN PROGRAM UP TO SEVEN DIFFERENT EXERCISE ROUTINES. EACH ROUTINE INCLUDES:

1. ENABLE OR DISABLE THE ROUTINE
2. ENABLE OR DISABLE TRANSFER OF THE LOAD DURING THE ROUTINE
3. SET START TIME OF ROUTINE -
  - TIME OF DAY
  - DAY OF WEEK
  - WEEK OF MONTH (1st, 2nd, 3rd, 4th, ALTERNATE OR ALL)
4. SET THE DURATION OF THE ROUTINE

PARAMETER	RANGE OF SETTING	DEFAULT SETTING
MONTH (CLOCK SET)	JAN FEB MAR APR MAY JUN JUL AUG SEP OCT NOV DEC	CURRENT DATE
DAY	1-31	Eastern Standard Time
YEAR	00-99	
HOUR	0-23	
MINUTE	0-59	
ENABLE ROUTINE (ROUTINE 1-7)	YES/NO	NO
TRANSFER LOAD	YES/NO	NO
START HOUR	0-23	0
START MINUTE	0-59	0
RUN WEEK	ALL, ALTERNATE, 1st, 2nd, 3rd, 4th, 5th	ALL
RUN DAY	SUN MON TUE WED THU FRI SAT	SUN
DURATION HOURS	0-23	0
DURATION MINUTES	0-59	0

### SIGNALS & AUXILIARIES

A. FEATURES 7 & 8 - ENGINE START SIGNAL SIGNAL INITIATED BY DROPOUT OF CONTROL PANEL RELAY (NR) FOLLOWING EXPIRATION OF THE FEATURE 1C TIME DELAY (DELAY TO OVERRIDE MOMENTARY NORMAL SOURCE OUTAGES). FEATURE 7 CLOSURES TO SIGNAL ENGINE START. FEATURE 8 OPENS TO SIGNAL ENGINE START. ENGINE STARTING SIGNAL RESETS FOLLOWING RETRANSFER TO THE NORMAL SOURCE AND EXPIRATION OF THE FEATURE 2E (ENGINE COOL DOWN) TIME DELAY. FEATURES 7 & 8 ARE PROVIDED AS A SINGLE FORM C CONTACT CONNECTED TO THE FIELD CONNECTIONS TERMINAL BLOCK (TB/TS). CONTACT RATED 5 AMPS AT 32 VDC/120VAC RESISTIVE.

B. FEATURES 14AA & 14BA - TRANSFER SWITCH AUXILIARY POSITION INDICATING CONTACTS. TWO (2) FORM A CONTACTS TO INDICATE CONNECTION OF THE TRANSFER SWITCH TO NORMAL (14A) AND TWO (2) FOR EMERGENCY (14B). CONTACTS RATED 10 AMPS, 32 VDC, 480 VAC.

### OPERATION

IF THE NORMAL SOURCE FAILS, THE TRANSFER SWITCH INITIATES STARTING OF THE ENGINE-GENERATOR SET. WHEN PROPER VOLTAGE AND FREQUENCY HAVE BEEN ATTAINED, THE LOAD WILL BE TRANSFERRED TO THE EMERGENCY SOURCE.

WHEN THE NORMAL SOURCE IS RESTORED FOR THE DURATION OF THE FEATURE 3A (RETRANSFER TO NORMAL) TIME DELAY SETTING, THE LOAD WILL BE RETRANSFERRED TO THE NORMAL SOURCE.

THE ENGINE WILL CONTINUE TO RUN FOR THE ENGINE COOL DOWN PERIOD, FEATURE 2E.

### USER CONTROLS AND INDICATIONS

A. FEATURES 5 & 6B - TRANSFER TEST/RETRANSFER TIME DELAY BYPASS CONTROLS.

TRANSFER TEST: OPERATION CAUSES A NORMAL SOURCE FAILURE SEQUENCE. ACTIVATE AND HOLD FOR AT LEAST 15 SECONDS TO ALLOW TIME FOR THE ENGINE-GENERATOR TO START. RETRANSFER TIME DELAY BYPASS: OPERATION WILL BYPASS THE FEATURE 3A (RETRANSFER TO NORMAL DELAY).

B. FEATURES 9A & 9B - TRANSFER SWITCH POSITION INDICATORS. FEATURE 9A: TRANSFER SWITCH CLOSED ON NORMAL (GREEN LED) FEATURE 9B: TRANSFER SWITCH CLOSED ON EMERGENCY (RED LED)

C. FEATURES 9C & 9D - SOURCE ACCEPTANCE INDICATORS. FEATURE 9C: NORMAL SOURCE ACCEPTED (GREEN LED) FEATURE 9D: EMERGENCY SOURCE ACCEPTED (RED LED)

### GENERAL NOTES

1. SWITCH SHOWN DE-ENERGIZED AND CONNECTED TO THE NORMAL SOURCE.
2. DEVICE SYMBOLS AND DESIGNATIONS ARE IN ACCORDANCE WITH NEMA PUBLICATION ICS 1-1983, PART 1-101A.
3. ALL WIRING IS #16 AWG, TINNED, STRANDED COPPER UNLESS OTHERWISE INDICATED.
4. ○ ON TERMINAL BLOCKS INDICATES AVAILABLE FIELD CONNECTION POINT.
5. ● ON TERMINAL BLOCKS INDICATES FACTORY CONNECTION POINT.
6. CONTROL AND ACCESSORY WIRING IS ROUTED IN ACCORDANCE WITH ASCO ASSEMBLY PROCEDURE GS451261.
7. AN OPERATOR'S MANUAL IS FURNISHED WITH EACH AUTOMATIC TRANSFER SWITCH. REFER TO THIS PUBLICATION PRIOR TO INSTALLATION AND OPERATION OF THE UNIT.
8. THE FOLLOWING GROUP 5 CP PARAMETERS ARE TO BE FACTORY SET AS FOLLOWS:

PARAMETER	FACTORY SETTING
FEATURE 34A ENABLE	NO
FEATURE 34B ENABLE	NO

BASE CATALOG NUMBER				CATALOG NUMBER SUFFIXES				EXPLANATION OF CATALOG NUMBER CODES										
TS FRAME	CATALOG TYPE	NEUTRAL TYPE	PHASE POLES	AMPS	VOLT CODE	CONTROLLER	OPTIONAL ACCESSORY	ENCLOSURE CODE	NEUTRAL TYPE		VOLTAGE CODES 3 PHASE (3 OR 4 WIRE) 50 OR 60 Hz		ENCLOSURE CODES					
									CODE	DESCRIPTION	CODE	NOMINAL VOLTAGE	CODE	TYPE	DESCRIPTION			
D	7ATS	A	3	30	A	5	X	C	BLANK	NONE	A	115	BLANK		OPEN TYPE (NO ENCLOSURE)			
		B		70	B			E	A	SOLID	B	120	C	1	GENERAL PURPOSE, INDOOR			
		C		100	C			F	B	SWITCHING	C	208	E	2	INDOOR, WATER & DUST RESISTANT			
				150	D			G	C	OVERLAPPING	D	220	F	3R	OUTDOOR, RAINPROOF, SLEET & ICE RESISTANT			
				200*	E			H	D		E	230	G	4	INDOOR/OUTDOOR, WATERTIGHT & DUSTTIGHT			
				230*	F			I	E		F	240	H	4X	TYPE 4 PLUS CORROSION RESISTANCE (STAINLESS STEEL)			
					G			J	F		G	277	J	4X	TYPE 4 PLUS CORROSION RESISTANCE (FIBERGLASS)			
					H			K	G		H	380	K	7	EXPLOSION PROOF			
					I			L	H		I	400	L	12	INDOOR, INDUSTRIAL ENVIRONMENTS, OILTIGHT & DUSTTIGHT			
					J			M	J		J	415			(SECURE ENCLOSURES)			
					K			N	K		K	440			INDOOR/OUTDOOR, WATERTIGHT & DUSTTIGHT			
					L			P	L		L	460	M	3R	INDOOR/OUTDOOR, WATERTIGHT & DUSTTIGHT			
					M			Q	M		M	480	N	4X	TYPE 4 PLUS CORROSION RESISTANCE (STAINLESS STEEL)			
					N			R	N		N	550*	P	12	INDOOR, INDUSTRIAL ENVIRONMENTS, OILTIGHT & DUSTTIGHT			
					P				P		P	575*	Q					
					Q				Q		Q	600*						
					R													
		BLANK FOR NONE					BLANK FOR NONE	BLANK FOR OPEN TYPE										

CATALOG NUMBER \_\_\_\_\_

ASCO® CERTIFIED TO S.O. \_\_\_\_\_

BY \_\_\_\_\_

DATE \_\_\_\_\_

FORM REV C

PROJECT NAME: \_\_\_\_\_

WIRING \_\_\_\_\_

DIAGRAM \_\_\_\_\_

7000 SERIES (D7ATS) 3PH 30-230 AMPS

"D" FRAME, GROUP 5 CONTROLS

BY \_\_\_\_\_ DATE \_\_\_\_\_

CHECKED BY SDH 6/02

PROJECT APPROVAL SDH 6/02

FINAL APPROVAL SDH 6/02

ASCO POWER TECHNOLOGIES, L.P. FLORHAM PARK, NEW JERSEY 07932 U.S.A.

C 204563 BK BK 05/25/05

SEE ECN

B 166966 SDH SDH 05/04/04

SEE ECN

A 164537 BWM WK 08/08/03

SEE ECN

160946 BWM SDH 6/02

ISSUE

REV. TO SHEET ECN NO. BY APP. DATE

THIRD ANGLE PROJECTION

COMPUTER GENERATED DRAWING

SCALE 1:1 SIZE DS

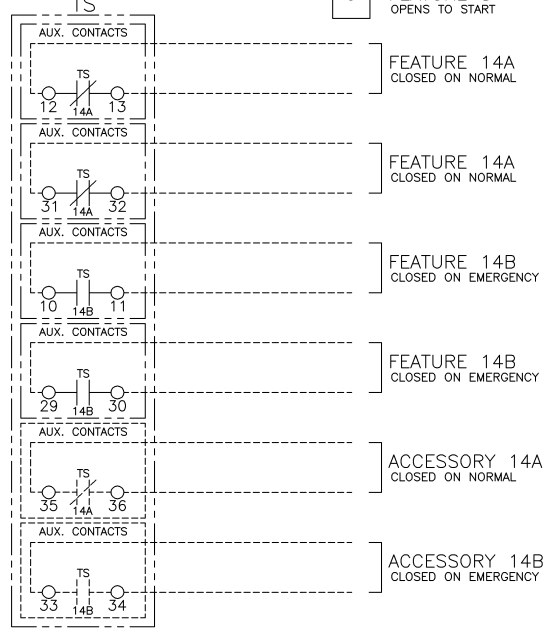
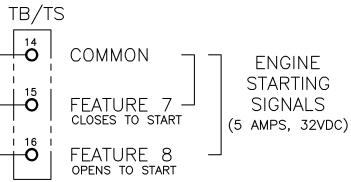
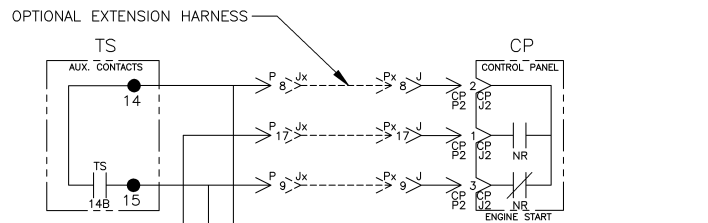
DWG. NO. 718519

DRAWING C ECN NO. 204563 SHEET 1 OF 6

REV. C

ASCO

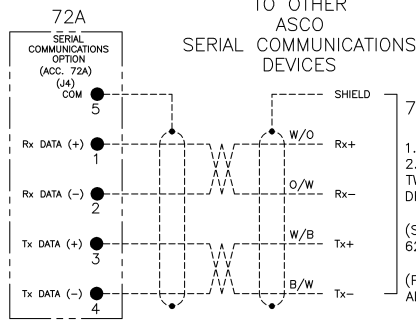
# FIELD CONNECTIONS



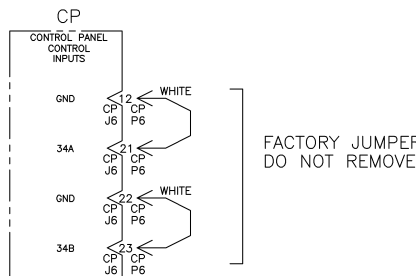
TS  
AUXILIARY  
CONTACTS  
FEATURE  
14AA & 14BA  
(10 AMPS, 32VDC)  
(10 AMPS, 480VAC)  
GENERAL PURPOSE

OPTIONAL  
TS  
AUXILIARY  
CONTACTS  
ACCESSORIES  
14AB & 14BB  
(10 AMPS, 32VDC)  
(10 AMPS, 480VAC)  
GENERAL PURPOSE

## ACC. 72A SERIAL COMMUNICATIONS OPTION COMMUNICATING WITH GROUP 5 CONTROL PANEL (CP)



72A NOTES:  
1. EARTH GROUND SHIELD AT HOST DEVICE ONLY.  
2. FIELD WIRING: USE UL LISTED, STRANDED, TWISTED PAIRS, OVERALL FOIL SHIELD WITH STRANDED DRAIN WIRE SUITABLE FOR RS-422 EQUIVALENT TO:  
(STANDARD 80°C) BELDEN 9842 OR 9829 OR ALPHA 6202C OR 6222C  
(PLENUM RATED) BELDEN 89729 OR 82729 OR ALPHA 58902



FACTORY JUMPERS  
DO NOT REMOVE

C	204563	BK	BK	05/25/05
SEE ECN				
B	166966	SDH	SDH	05/04/04
SEE ECN				
A	164537	BWM	WK	08/08/03
SEE ECN				
-	160946	BWM	SDH	6/02
ISSUE				

PROJECT NAME:		REV. TO SHEET	ECN NO.	BY	APP.	DATE
WIRING DIAGRAM						
7000 SERIES (D7ATS) 3PH 30-230 AMPS "D" FRAME, GROUP 5 CONTROLS						
DRAWN BY	BY	DATE	MANUFACTURING TOLERANCES TO BE IN ACCORDANCE WITH ASCO PROCEDURE MP-1-003. FOR PLASTIC PARTS SEE MP-1-005	ASSEM. REF. NO.	COMPUTER GENERATED DRAWING	
CHECKED	SDH	6/02			SCALE	1:1
PROJECT APPROVAL					SIZE	DS
FINAL APPROVAL	SDH	6/02			DWG. NO.	718519
					DRAWING C	ECN NO. 204563
						SHEET 2 OF 6

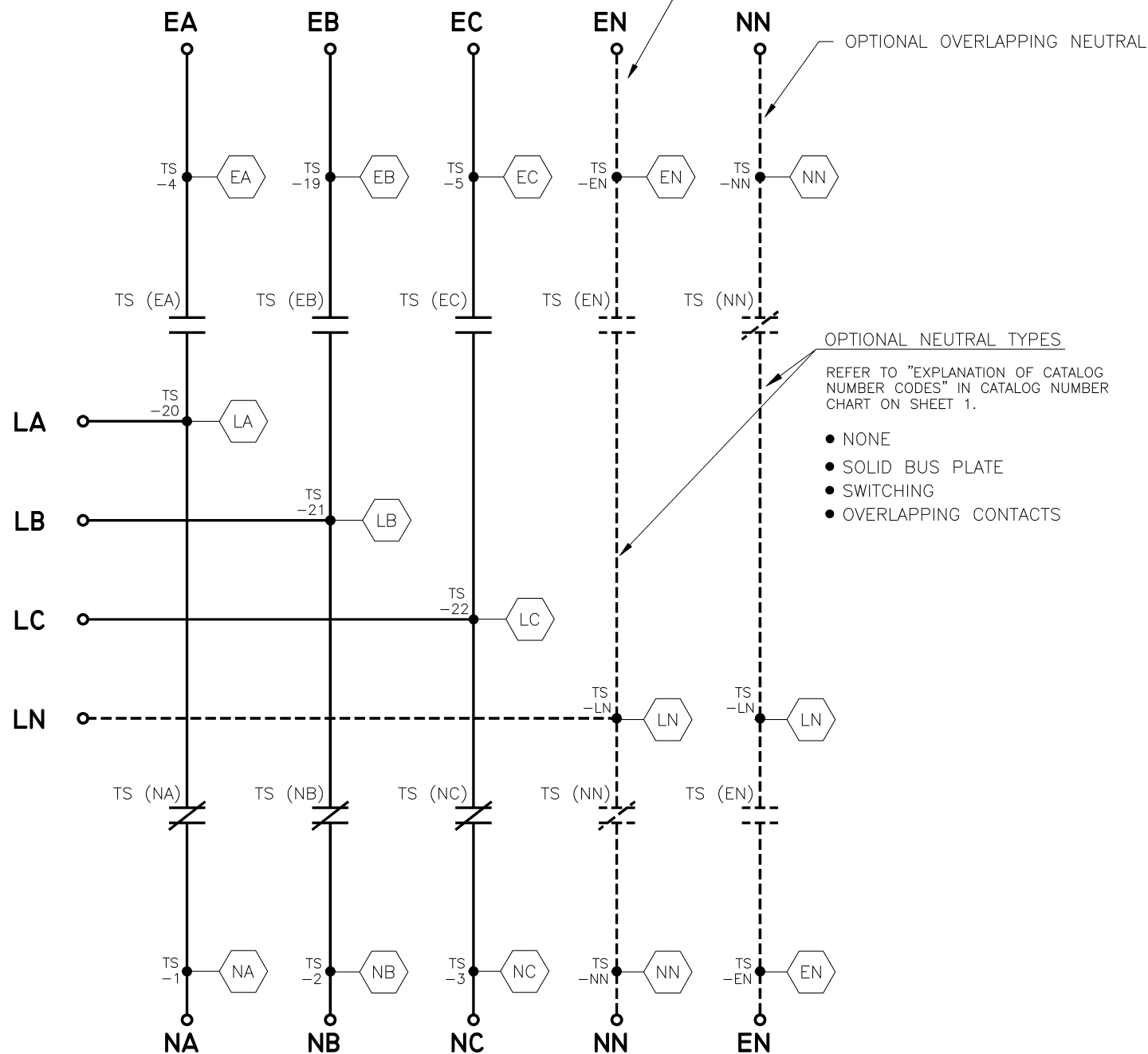
**ASCO** ASCO POWER TECHNOLOGIES, L.P.  
FLORHAM PARK, NEW JERSEY 07932 U.S.A.

MAIN POWER POLES

TS OPERATOR CIRCUIT

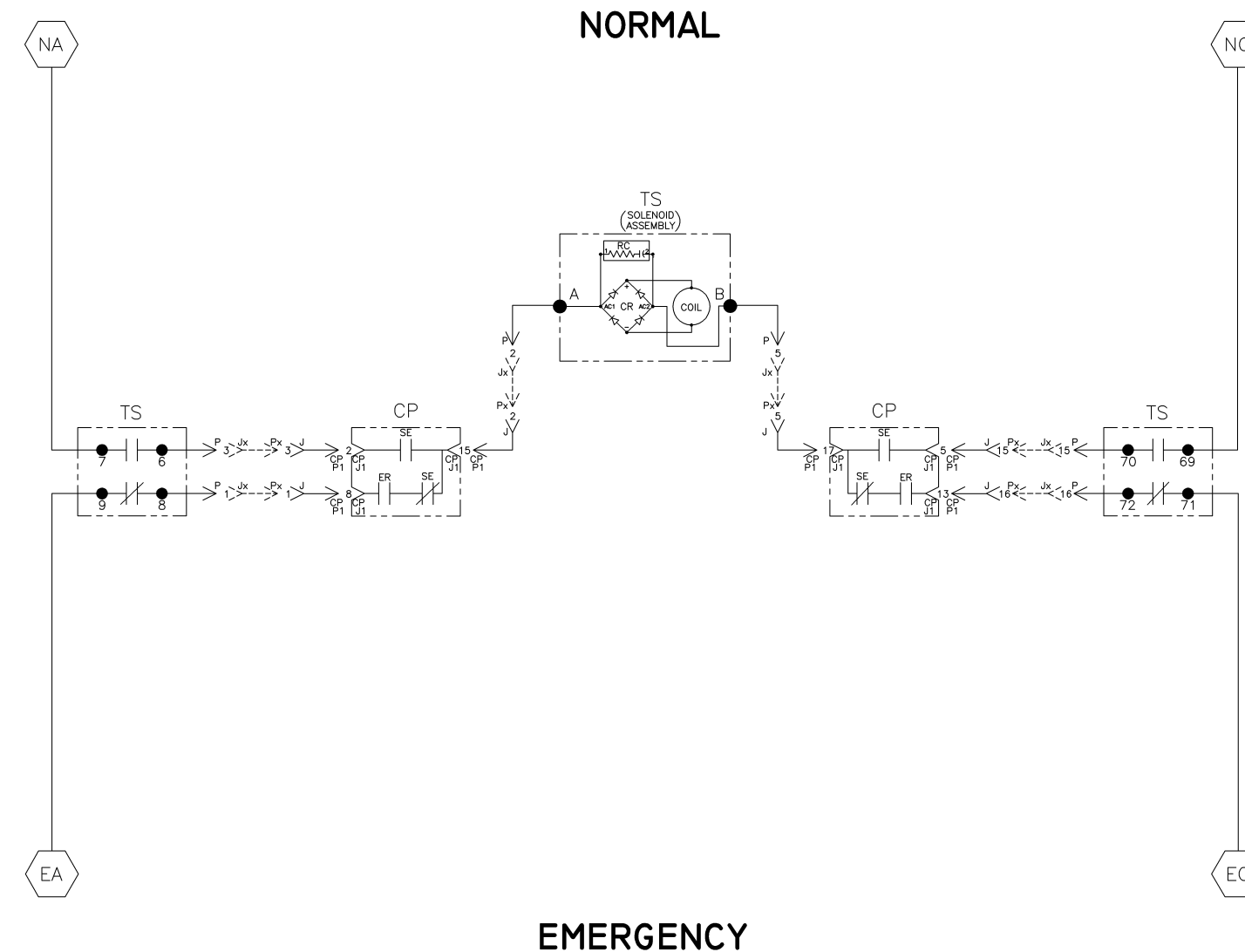
EMERGENCY

NORMAL



NORMAL

NOTE:  
ATS SHOWN CLOSED ON NORMAL SOURCE.



EMERGENCY

C	204563	BK	BK	05/25/05
B	166966	SDH	SDH	05/04/04
A	164537	BWM	WK	08/08/03
-	160946	BWM	SDH	6/02
-	ISSUE			

TS	SOLENOID POSITION			
	NORM	BEFORE TDC >	BEFORE TDC <	EMER
7-6				
69-70				
8-9				
71-72				

PROJECT NAME: **WIRING DIAGRAM**

7000 SERIES (D7ATS) 3PH 30-230 AMPS  
"D" FRAME, GROUP 5 CONTROLS

ASCO POWER TECHNOLOGIES, L.P.  
FLORHAM PARK, NEW JERSEY 07932 U.S.A.

SCALE: 1:1 SIZE: DS

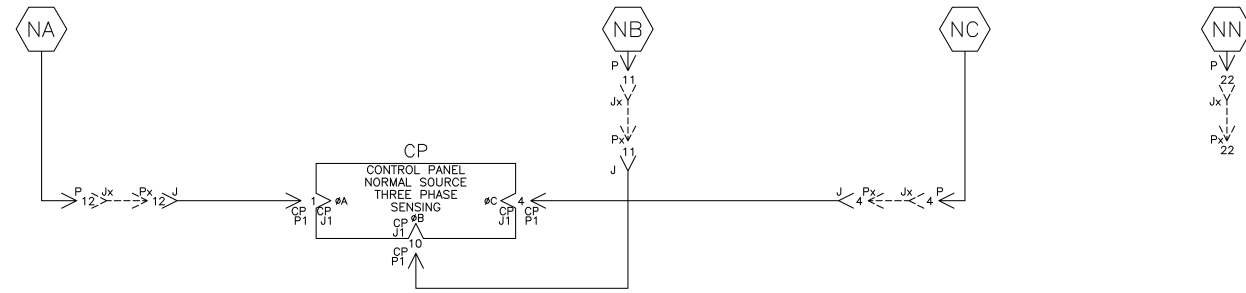
DWG. NO: 718519

ECN NO: 204563 SHEET 3 OF 6

NORMAL SOURCE CIRCUITS

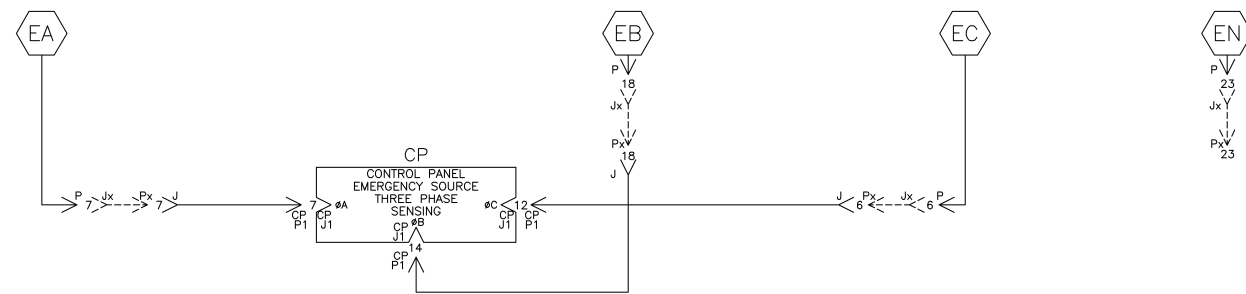
ADDITIONAL CIRCUITS

**NORMAL**



EMERGENCY SOURCE CIRCUITS

**EMERGENCY**

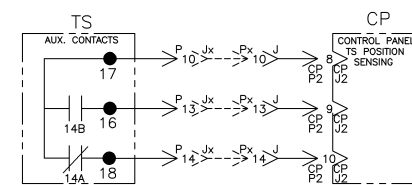


LOAD TERMINAL CIRCUITS

**LOAD**



CONTROL SIGNALS & INDICATION



C	204563	BK	BK	05/25/05
SEE ECN				
B	166966	SDH	SDH	05/04/04
SEE ECN				
A	164537	BWM	WK	08/08/03
SEE ECN				
-	160946	BWM	SDH	6/02
ISSUE				

PROJECT NAME:		REV. TO SHEET	ECN NO.	BY	APP.	DATE
WIRING DIAGRAM						
7000 SERIES (D7ATS) 3PH 30-230 AMPS						
"D" FRAME, GROUP 5 CONTROLS						
DRAWN BY	BWM	DATE	6/02	MANUFACTURING TOLERANCES TO BE IN ACCORDANCE WITH ASCO PROCEDURE MP-1-003. FOR PLASTIC PARTS SEE MP-1-005.	ASSEM. REF. NO.	COMPUTER GENERATED DRAWING
CHECKED	SDH	DATE	6/02	PROPERTY OF ASCO POWER TECHNOLOGIES. USE PERMITTED FOR OUR WORK ONLY. ALL RIGHTS OF DESIGN OR INVENTION ARE RESERVED.		SCALE: 1:1 SIZE: DS
PROJECT APPROVAL						DWG. NO. 718519
FINAL APPROVAL	SDH	DATE	6/02	ASCO POWER TECHNOLOGIES, L.P. FLORHAM PARK, NEW JERSEY 07932 U.S.A.		DRAWING C ECN NO. 204563 SHEET 4 OF 6

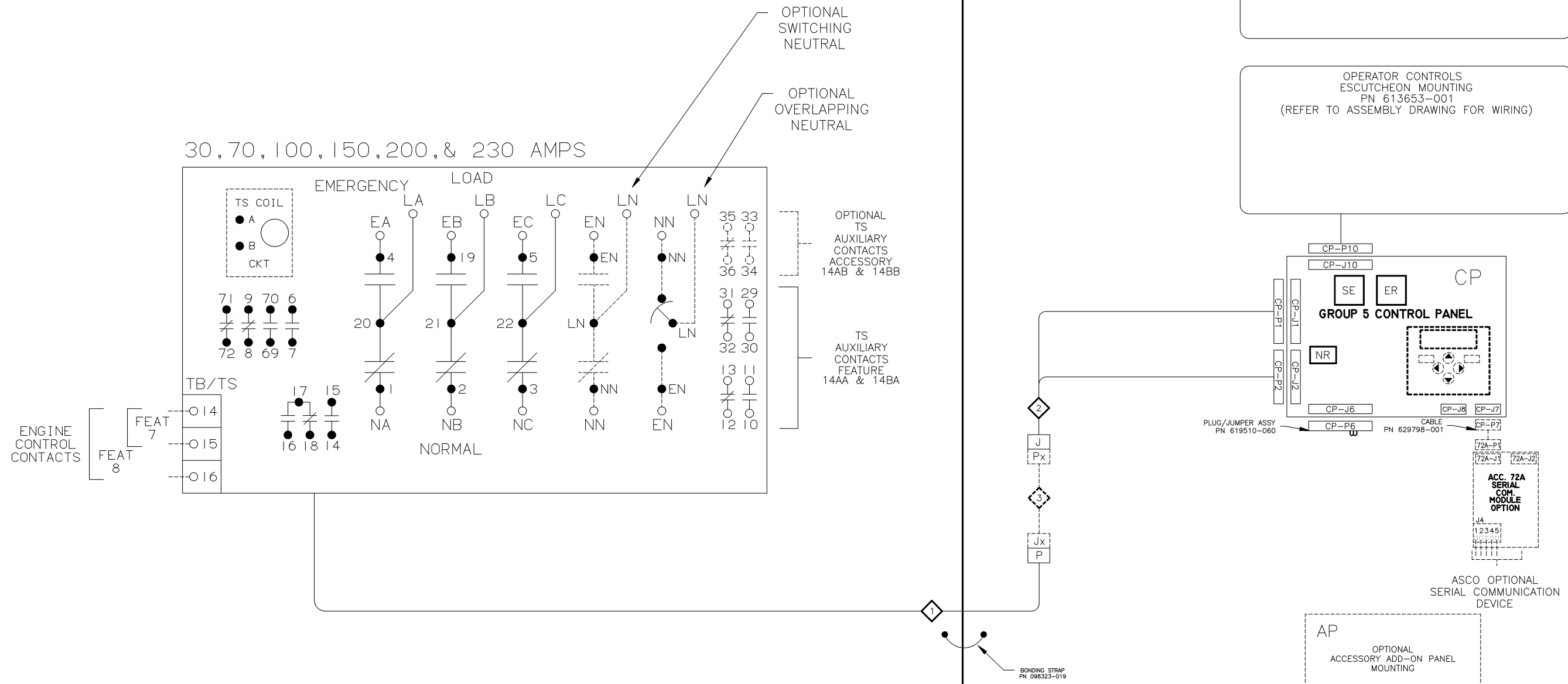


PHYSICAL DIAGRAM

ENCLOSURE

TOP DOOR (INSIDE)

30, 70, 100, 150, 200, & 230 AMPS



OPTIONAL SWITCHING NEUTRAL

OPTIONAL OVERLAPPING NEUTRAL

OPTIONAL TS AUXILIARY CONTACTS ACCESSORY 14AB & 14BB

TS AUXILIARY CONTACTS FEATURE 14AA & 14BA

OPTIONAL POWERMANAGER OR ADDITIONAL OPERATOR CONTROLS ESCUTCHEON MOUNTING

OPERATOR CONTROLS ESCUTCHEON MOUNTING PN 613653-001 (REFER TO ASSEMBLY DRAWING FOR WIRING)

GROUP 5 CONTROL PANEL

ACC. 72A SERIAL COM. MODULE OPTION

ASCO OPTIONAL SERIAL COMMUNICATION DEVICE

OPTIONAL ACCESSORY ADD-ON PANEL MOUNTING

BONDING STRAP PN 098323-019

(OPTIONAL) SOLID BUS PLATE NEUTRAL

C	204563	BK	BK	05/25/05
B	166966	SDH	SDH	05/04/04
A	164537	BWM	WK	08/08/03
-	160946	BWM	SDH	6/02
-	ISSUE			

PROJECT NAME:		WIRING DIAGRAM	
7000 SERIES (D7ATS) 3PH 30-230 AMPS "D" FRAME, GROUP 5 CONTROLS			
BY	DATE	MANUFACTURING TOLERANCES TO BE IN ACCORDANCE WITH ASCO PROCEDURE MP-1-003. FOR PLASTIC PARTS SEE MP-1-005	ASSEM. REF. NO.
DRAWN BY	BWM	6/02	
CHECKED	SDH	6/02	
PROJECT APPROVAL			
FINAL APPROVAL	SDH	6/02	
SCALE: 1:1		SIZE: DS	
DWG. NO. 718519		COMPUTER GENERATED DRAWING	
DRAWING C		ECON NO. 204563	
REV. 1		SHEET 5 OF 6	

ASCO POWER TECHNOLOGIES, L.P. FLORHAM PARK, NEW JERSEY 07932 U.S.A.

