

SINGLE PHASE WIRING FOR **ASCO** 7000 SERIES MANUALLY OPERATED TRANSFER SWITCH TYPE E7MTS RATED 260-400 AMPERES

FEATURES, OPERATION, & NOTES

SIGNALS & AUXILIARIES

A. FEATURE 14A & 14B - TRANSFER SWITCH AUXILIARY POSITION INDICATING CONTACTS. ONE (1) FORM A CONTACTS TO INDICATE CONNECTION OF THE TRANSFER SWITCH TO NORMAL (14A) AND ONE (1) FORM A CONTACTS TO INDICATE CONNECTION OF THE TRANSFER SWITCH TO EMERGENCY (14B). CONTACTS CONNECTED TO THE FIELD CONNECTIONS TERMINAL BLOCK (TB). CONTACTS RATED 10 AMPS, 32 VDC, 250 VAC.

INDICATORS

B. FEATURES 9A & 9B - TRANSFER SWITCH POSITION INDICATORS.
 FEATURE 9A: TRANSFER SWITCH CLOSED ON NORMAL (GREEN LED)
 FEATURE 9B: TRANSFER SWITCH CLOSED ON EMERGENCY (RED LED)

C. FEATURES 9C & 9D - SOURCE ACCEPTANCE INDICATORS.
 FEATURE 9C: NORMAL SOURCE AVAILABLE (GREEN LED)
 FEATURE 9D: EMERGENCY SOURCE AVAILABLE (RED LED)

OPERATION

260-400 AMPS:
 PULL HANDLE UP FOR TRANSFER TO NORMAL.
 PUSH HANDLE DOWN FOR TRANSFER TO EMERGENCY.
 HANDLE WILL RETURN TO INTERMEDIATE POSITION WHEN RELEASED.
 HANDLE DOES NOT INDICATE SWITCH POSITION.

CAUTION:
 OPERATE SWITCH ONLY WITH THE ENCLOSURE DOOR CLOSED.

GENERAL NOTES

- SWITCH SHOWN DE-ENERGIZED AND CONNECTED TO THE NORMAL SOURCE.
- DEVICE SYMBOLS AND DESIGNATIONS ARE IN ACCORDANCE WITH NEMA PUBLICATION ICS 1-1983, PART 1-101A.
- ALL WIRING IS #16 AWG, TINNED, STRANDED COPPER UNLESS OTHERWISE INDICATED.
- ON TERMINAL BLOCKS INDICATES AVAILABLE FIELD CONNECTION POINT.
- ON TERMINAL BLOCKS INDICATES FACTORY CONNECTION POINT.
- CONTROL AND ACCESSORY WIRING IS ROUTED IN ACCORDANCE WITH ASCO ASSEMBLY PROCEDURE GS451261.
- AN OPERATOR'S MANUAL IS FURNISHED WITH EACH TRANSFER SWITCH. REFER TO THIS PUBLICATION PRIOR TO INSTALLATION AND OPERATION OF THE UNIT.

BASE CATALOG NUMBER				CATALOG NUMBER SUFFIXES				EXPLANATION OF CATALOG NUMBER CODES						
CATALOG TYPE	NEUTRAL TYPE	PHASE POLES	AMPS	VOLT CODE	CONTROLLER	OPTIONAL ACCESSORY	ENCLOSURE CODE	NEUTRAL TYPE		VOLTAGE CODES		ENCLOSURE CODES		
								CODE	DESCRIPTION	CODE	NOMINAL VOLTAGE	CODE	TYPE	DESCRIPTION
E7MTS	A B C	2	260 400	BLANK		X	C E F H J K L M N P Q	BLANK	NONE SOLID SWITCHING OVERLAPPING	BLANK	BLANK	BLANK	1 2 3R 4 4X 7 12	OPEN TYPE (NO ENCLOSURE) GENERAL PURPOSE, INDOOR INDOOR, WATER & DUST RESISTANT OUTDOOR, RAINPROOF, SLEET & ICE RESISTANT INDOOR/OUTDOOR, WATERTIGHT & DUSTTIGHT TYPE 4 PLUS CORROSION RESISTANCE (STAINLESS STEEL) TYPE 4 PLUS CORROSION RESISTANCE (FIBERGLASS) EXPLOSION PROOF INDOOR, INDUSTRIAL ENVIRONMENTS, OILTIGHT & DUSTTIGHT
	BLANK FOR NONE				BLANK FOR 7MTS	BLANK FOR NONE		M N P Q					3R 4 4X 12	(SECURE ENCLOSURES) OUTDOOR, RAINPROOF, SLEET & ICE RESISTANT INDOOR/OUTDOOR, WATERTIGHT & DUSTTIGHT TYPE 4 PLUS CORROSION RESISTANCE (STAINLESS STEEL) INDOOR, INDUSTRIAL ENVIRONMENTS, OILTIGHT & DUSTTIGHT

CATALOG NUMBER _____
 CERTIFIED TO
ASCO® S.O. _____
 BY _____
 DATE _____

FORM REV B

PROJECT NAME: **WIRING DIAGRAM**

7000 SERIES (7MTS) MANUALLY OPERATED TS

THIRD ANGLE PROJECTION

CHANGE LETTER	ECN NO.	BY	APP.	DATE
B	203565	AE	BK	02/26/05
A	160786	BK	BK	5/30/02
-	157018	CT	WK	03/21/01

PROPERTY OF ASCO POWER TECHNOLOGIES. USE PERMITTED FOR OUR WORK ONLY. ALL RIGHTS OF DESIGN OR INVENTION ARE RESERVED.

ASCO POWER TECHNOLOGIES, L.P.
 FLORHAM PARK, NEW JERSEY 07932 U.S.A.

SCALE: 1:1 ACAD FILE

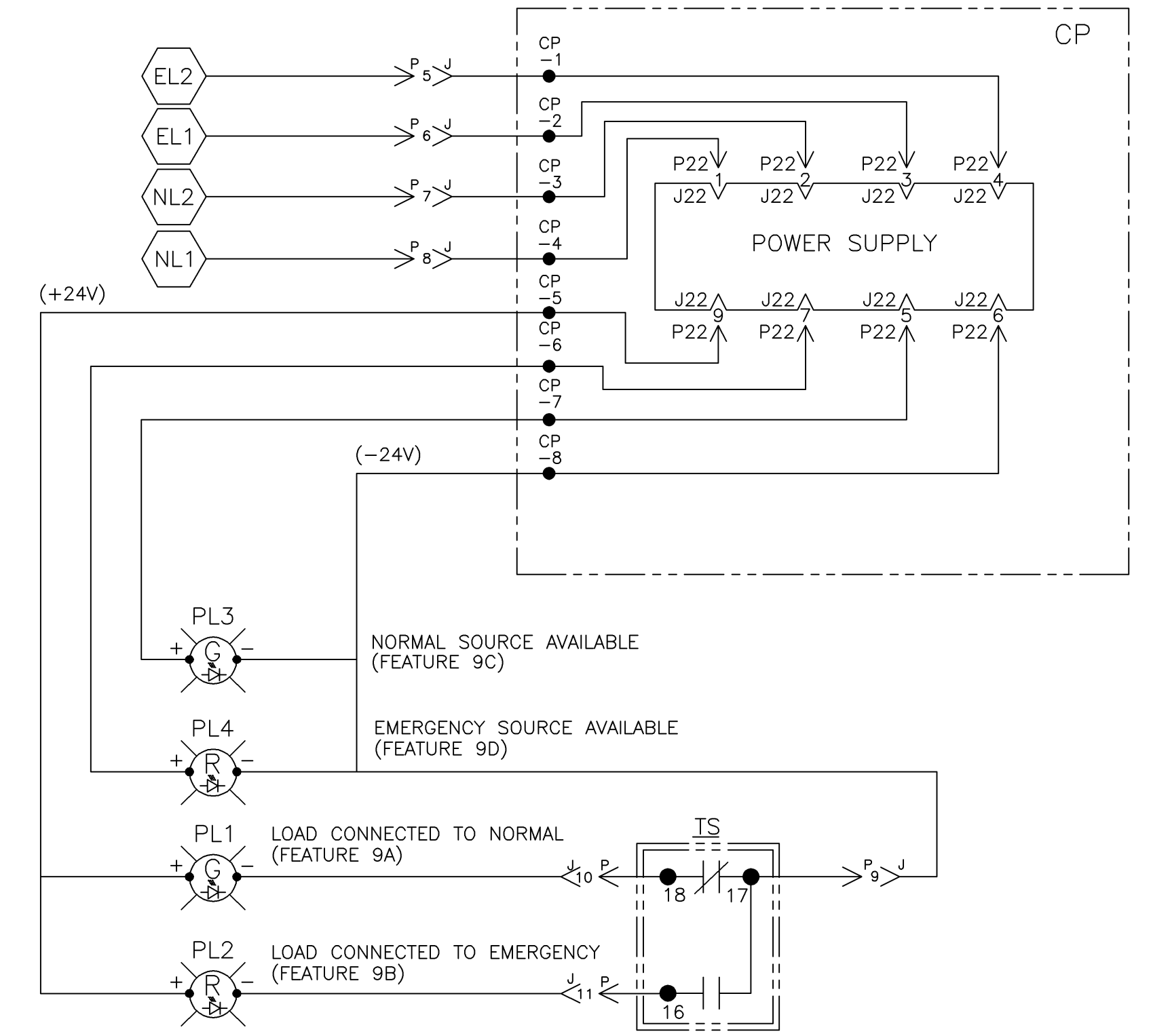
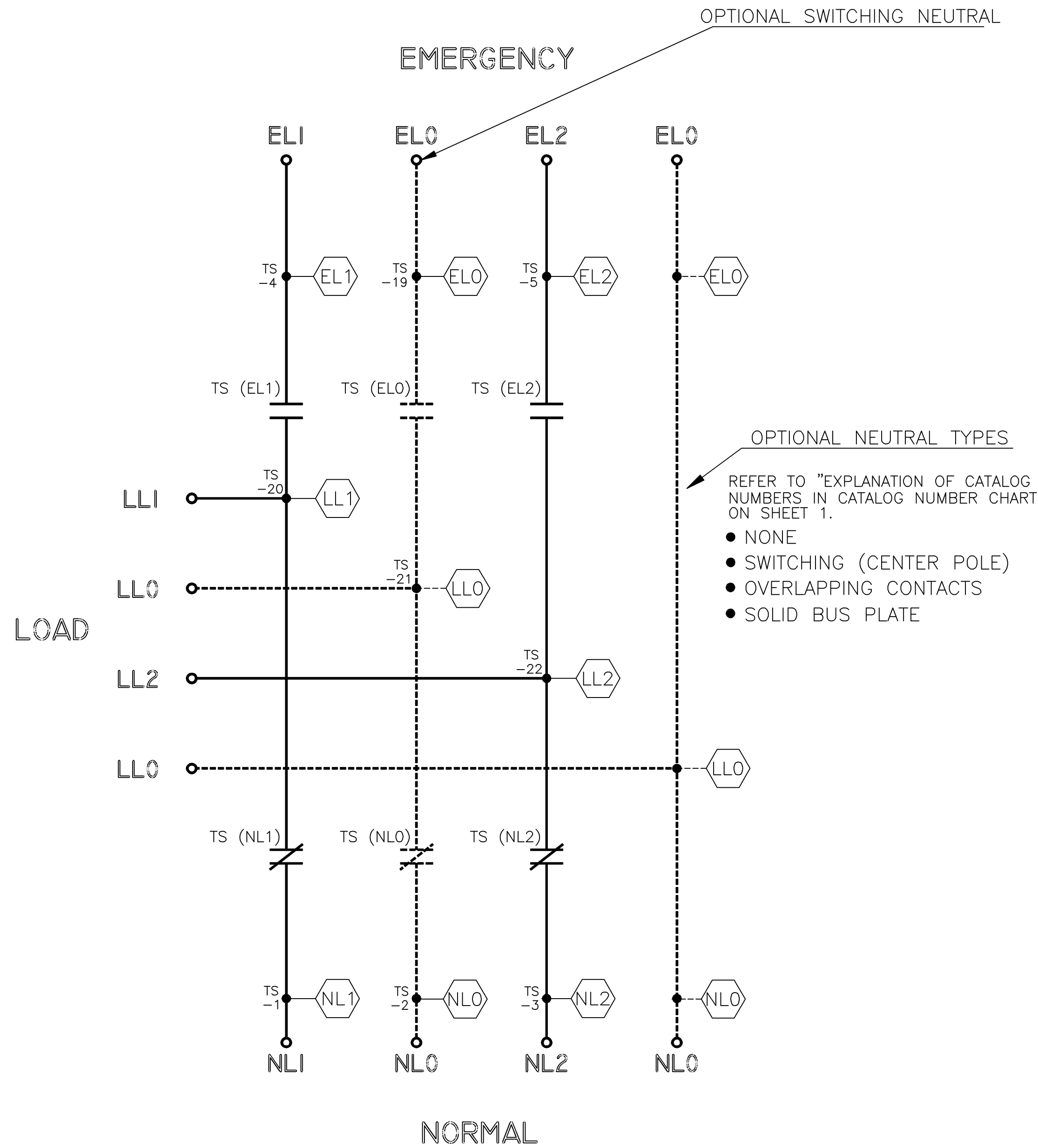
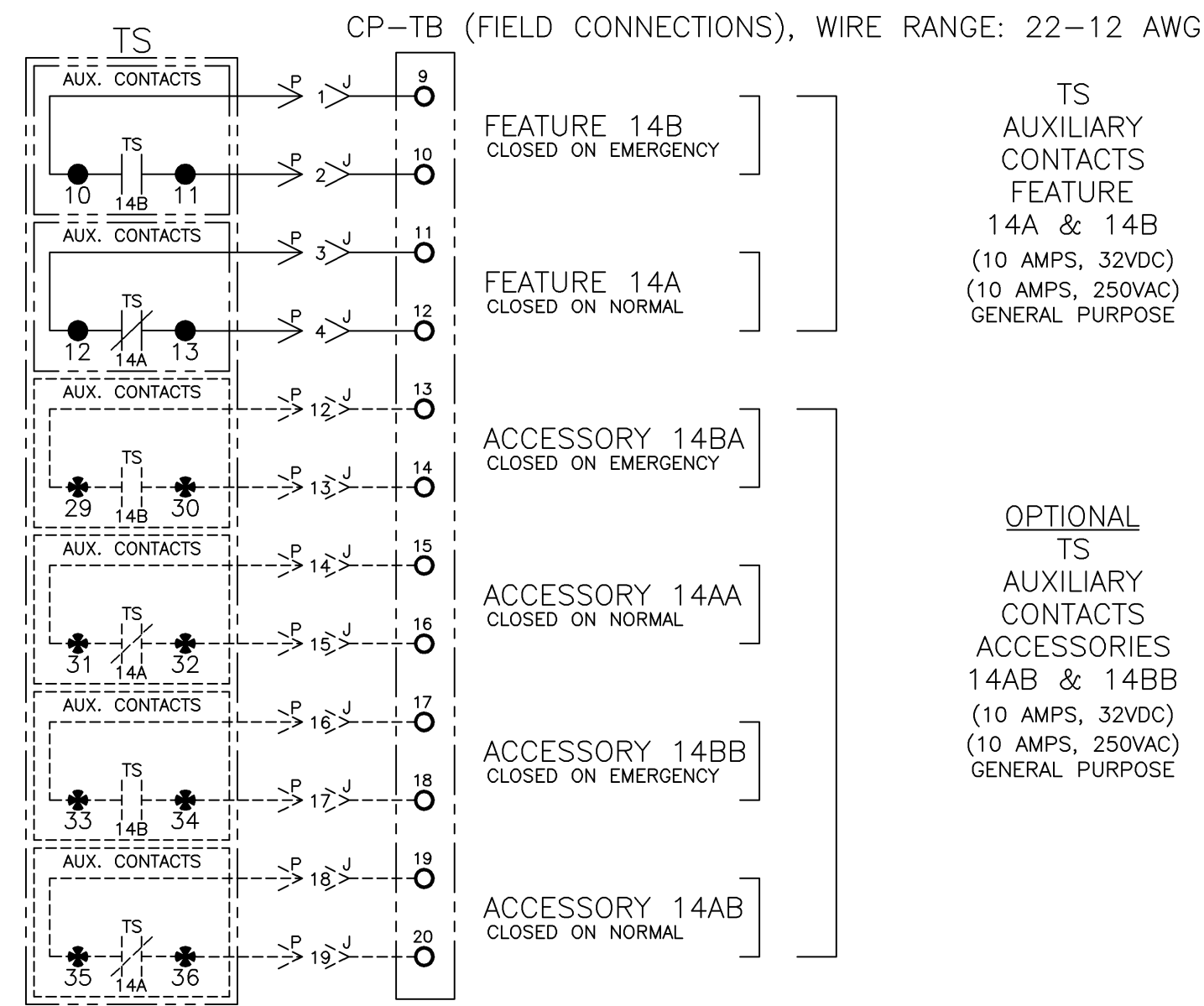
SIZE: DWG. NO. **DS717619-001**

CHANGE LETTER: B ECN NO.: 203565 SHEET: 1 OF 3

FIELD CONNECTIONS

MAIN POWER POLES

CIRCUIT



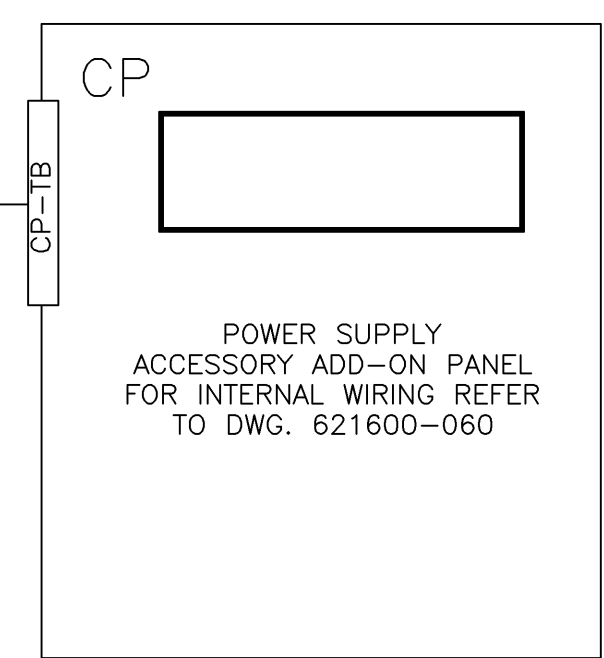
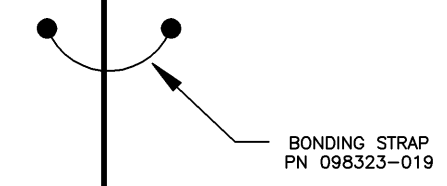
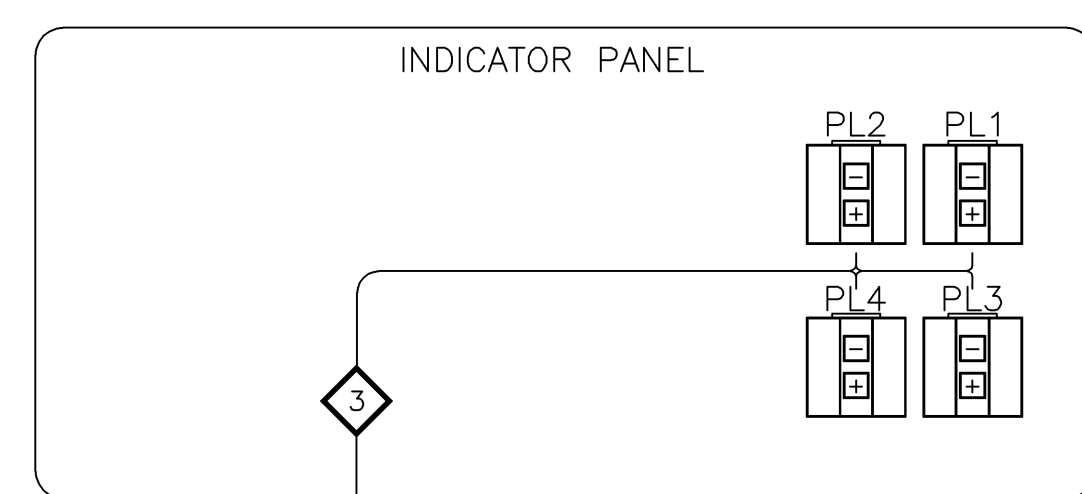
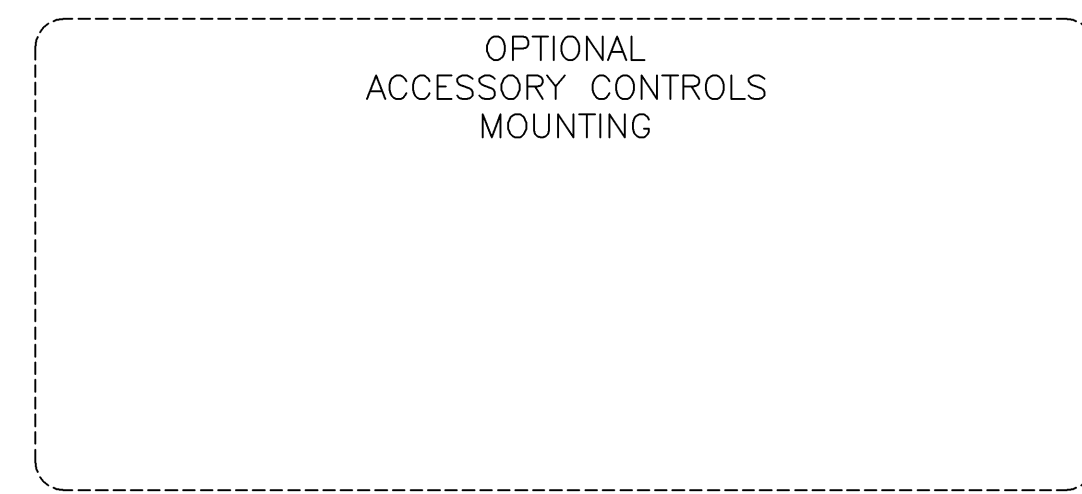
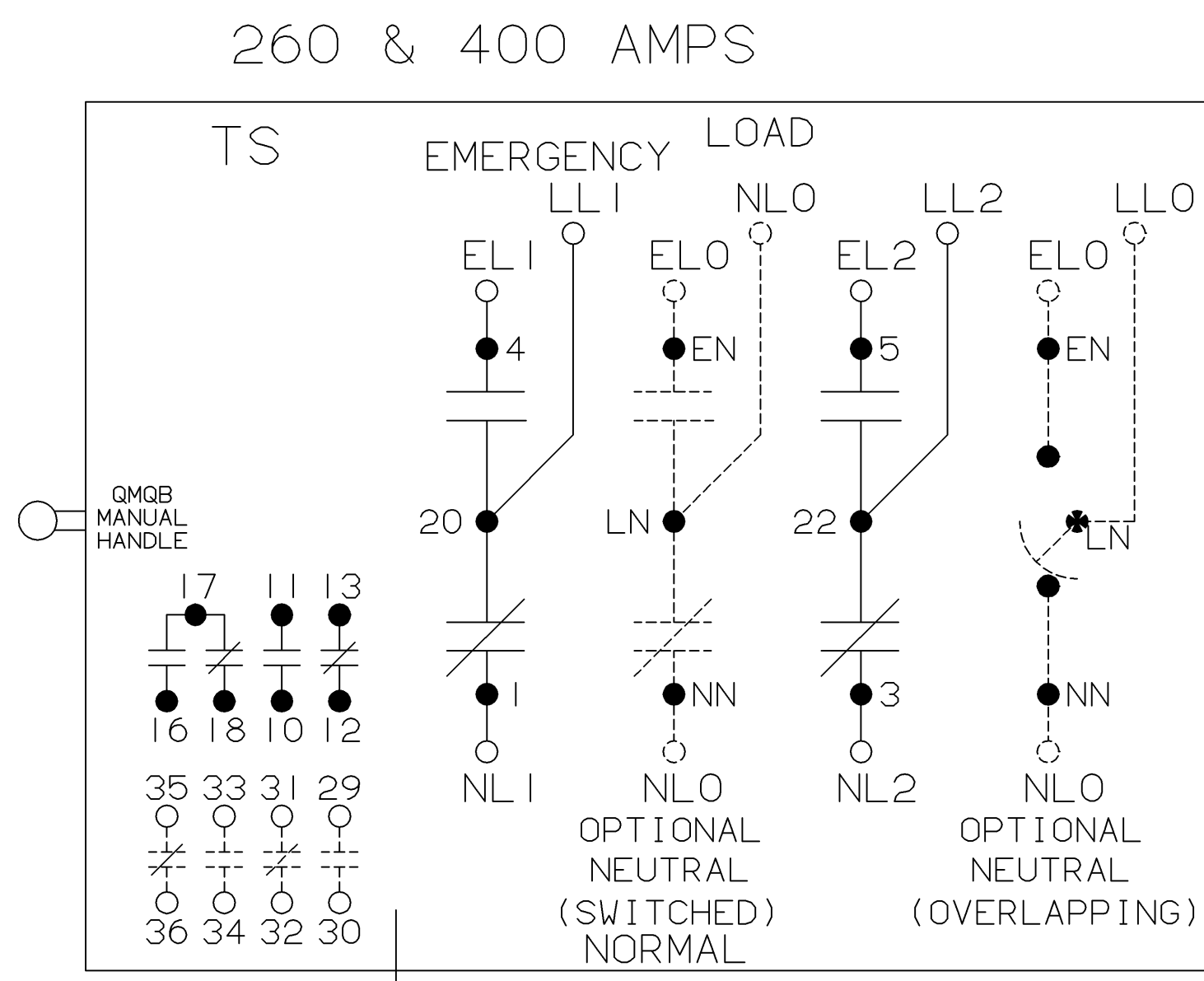
B	203565	AE	BK	02/26/05
SEE ECN				
A	160786	BK	BK	5/30/02
SEE ECN				
-	157018	CT	WK	03/21/01
ISSUE				

PROJECT NAME:		DIAGRAM		THIRD ANGLE PROJECTION	
DRAWING		7000 SERIES (7MTS)		MANUALLY OPERATED TS	
BY	DATE	MANUFACTURING TOLERANCES TO BE IN ACCORDANCE WITH ASCO PROCEDURE MP-1-003. FOR PLASTIC PARTS SEE MP-1-055		ASSEM. REF. NO.	
CT	03/21/01	PROPERTY OF ASCO POWER TECHNOLOGIES. USE PERMITTED FOR OUR WORK ONLY. ALL RIGHTS OF DESIGN OR INVENTION ARE RESERVED.		SCALE 1:1 ACAD FILE	
CHECKED	BK	03/21/01		SIZE DWG. NO.	
DRAFTING	WK	03/21/01		DS717619-001	
APPROVAL				SHEET 2 OF 3	
FINAL				ASCO POWER TECHNOLOGIES, L.P. FLORHAM PARK, NEW JERSEY 07932 U.S.A.	

PHYSICAL DIAGRAM

ENCLOSURE

DOOR (INSIDE)



1 ← HARNESS LOCATOR

WIRE No.	WIRING (P,TS,TB)	CLR	AWG
1	P-1,TS-10		16
2	P-2,TS-11		
3	P-3,TS-12		
4	P-4,TS-13		
5	P-5,TS-5		
6	P-6,TS-4		
7	P-7,TS-3		
8	P-8,TS-1		
9	P-9,TS-17		
10	P-10,TS-18		
11	P-11,TS-16		

10 ← HARNESS LOCATOR

WIRE No.	OPTIONAL ACC. 14AB,14BB WIRING (P,TS)	CLR	AWG
15	P-12,TS-29		16
16	P-13,TS-30		
17	P-14,TS-31		
18	P-15,TS-32		
19	P-16,TS-33		
20	P-17,TS-34		
21	P-18,TS-35		
22	P-19,TS-36		

2 ← HARNESS LOCATOR

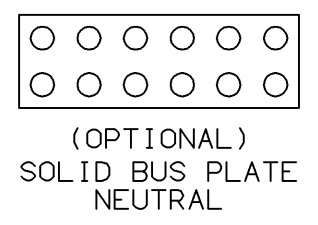
WIRE No.	WIRING (J,TB)	CLR	AWG
1	J-1,CP-TB-9		16
2	J-2,CP-TB-10		
3	J-3,CP-TB-11		
4	J-4,CP-TB-12		
5	J-5,CP-1		
6	J-6,CP-2		
7	J-7,CP-3		
8	J-8,CP-4		
9	J-9,PL4(-)		
10	J-10,PL1(-)		
11	J-11,PL2(-)		

20 ← HARNESS LOCATOR

WIRE No.	OPTIONAL ACC. 14AB,14BB WIRING (J,TB)	CLR	AWG
15	J-12,CP-TB-13		16
16	J-13,CP-TB-14		
17	J-14,CP-TB-15		
18	J-15,CP-TB-16		
19	J-16,CP-TB-17		
20	J-17,CP-TB-18		
21	J-18,CP-TB-19		
22	J-19,CP-TB-20		

3 ← HARNESS LOCATOR

WIRE No.	WIRING (INDICATORS)	CLR	AWG
12	CP-5,PL2(+)		16
13	CP-6,PL4(+)		
14	CP-7,PL3(+)		
9	CP-8,PL3(-)		
12	PL1(+),PL2(+)		
9	PL4(-),PL3(-)		



OPERATOR CONTROLS

ID	DESCRIPTION
PL1	TS CONNECTED TO NORMAL (GREEN)
PL2	TS CONNECTED TO EMERGENCY (RED)
PL3	NORMAL SOURCE AVAILABLE (GREEN)
PL4	EMERGENCY SOURCE AVAILABLE (RED)

PROJECT NAME: _____

WIRING DIAGRAM

7000 SERIES (7MTS)
MANUALLY OPERATED TS

THIRD ANGLE PROJECTION

BY	DATE	MANUFACTURING TOLERANCES TO BE IN ACCORDANCE WITH ASCO PROCEDURE MP-1-003. FOR PLASTIC PARTS SEE MP-1-055	ASSEM. REF. NO.
CT	03/21/01		
CHECKED	BK	PROPERTY OF ASCO POWER TECHNOLOGIES. USE PERMITTED FOR OUR WORK ONLY. ALL RIGHTS OF DESIGN OR INVENTION ARE RESERVED.	
DRAFTING APPROVAL	WK		
FINAL APPROVAL			

SCALE: 1:1 ACAD FILE

SIZE: DWG. NO. DS717619-001

ASCO POWER TECHNOLOGIES, L.P.
FLORHAM PARK, NEW JERSEY 07932 U.S.A.

CHANGE LETTER: _____ ECN NO.: 203565 SHEET 3 OF 3