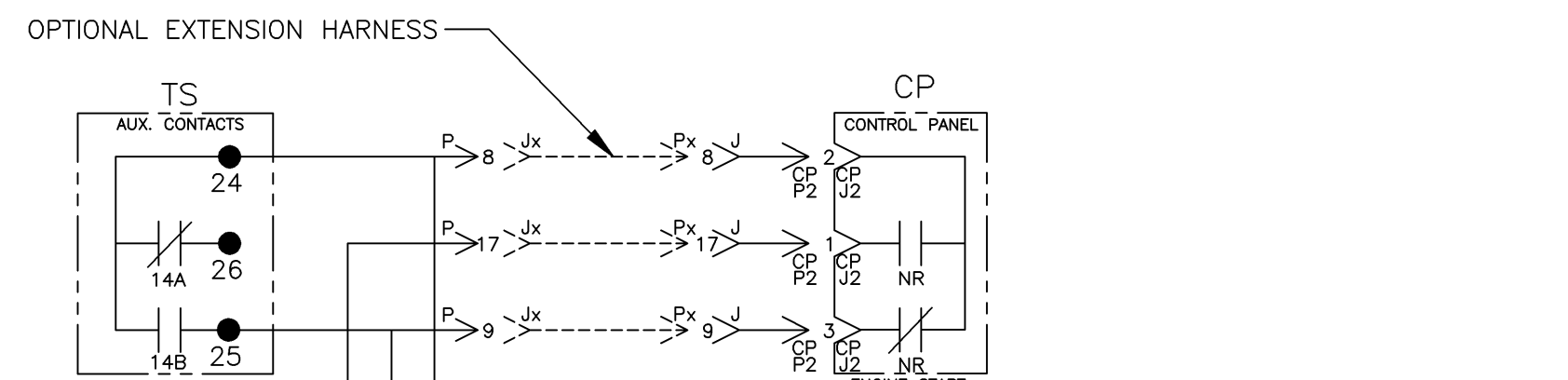
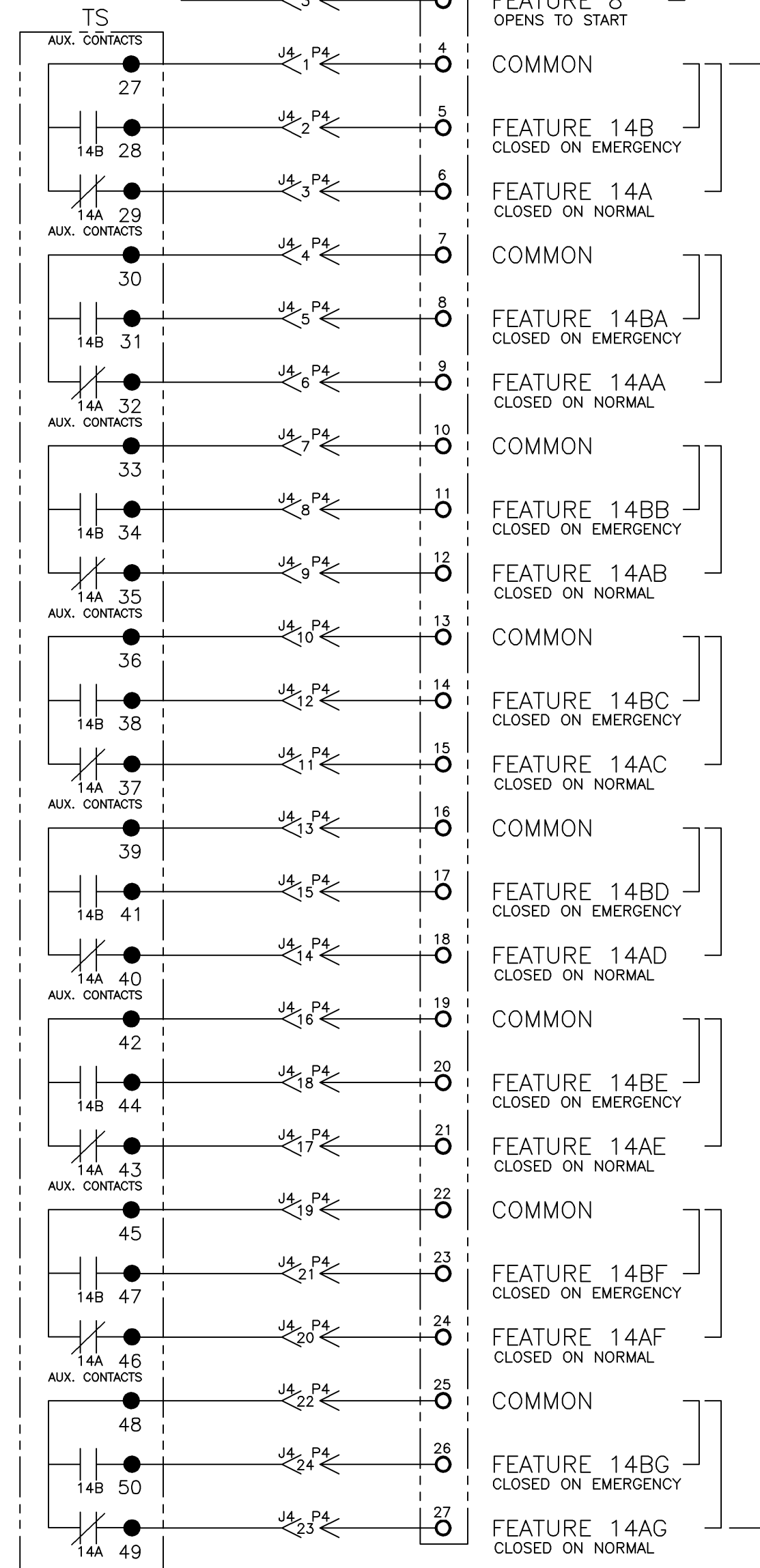
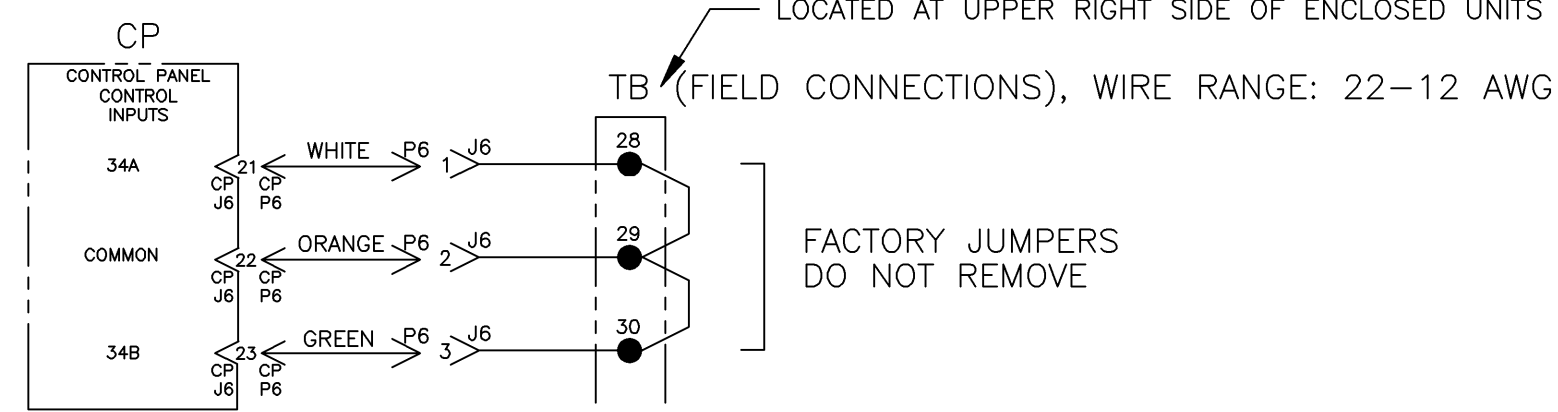
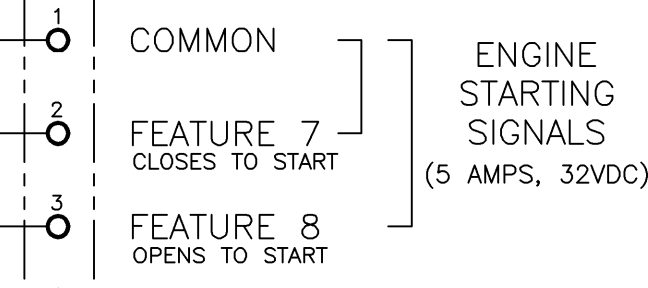


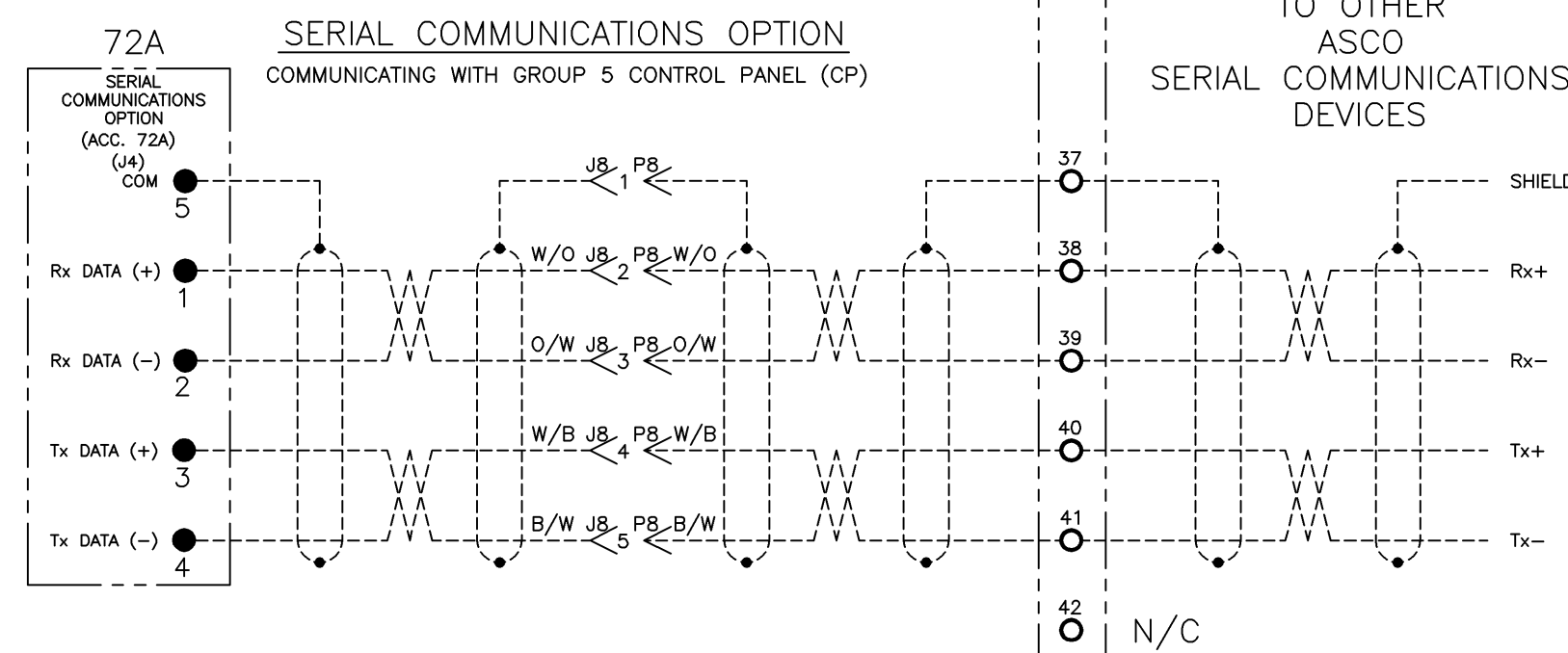
FIELD CONNECTIONS



TB (FIELD CONNECTIONS), WIRE RANGE: 22-12 AWG



TS AUXILIARY CONTACTS (10 AMPS, 32VDC) (10 AMPS, 250VAC) GENERAL PURPOSE



C	203916	TR	BK	04/01/05
	SEE ECN			
B	166900	SDH	SDH	04/26/04
	SEE ECN			
A	161048	BK	WK	161048
	SEE ECN			
-	158033	BWM	BK	6/27/01
	ISSUE			

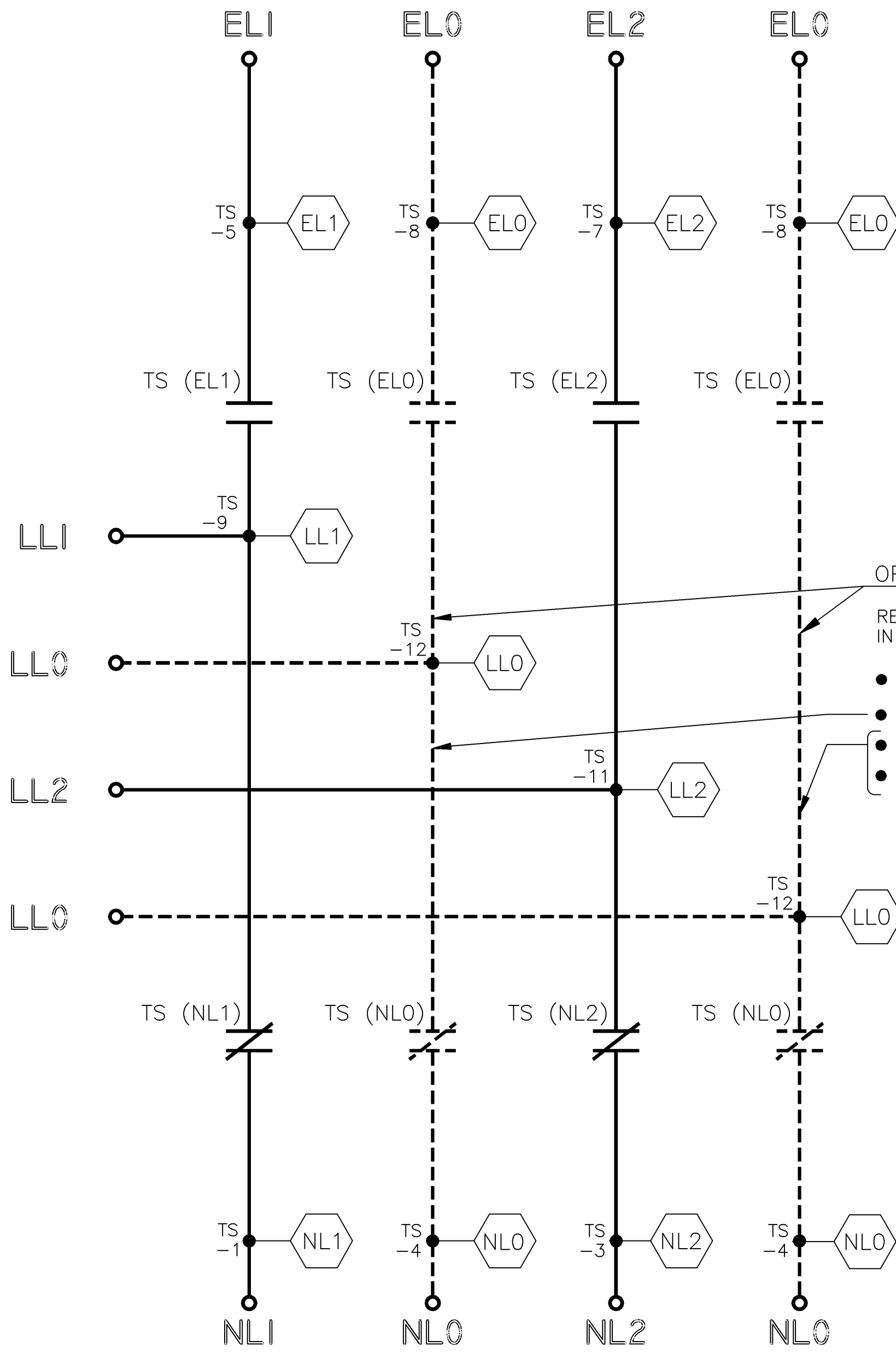
PROJECT NAME:		WIRING DIAGRAM		THIRD ANGLE PROJECTION	
DRAWN BY: DJB		DATE: 6/27/01		MANUFACTURING TOLERANCES TO BE IN ACCORDANCE WITH ASCO PROCEDURE MP-1-003. FOR PLASTIC PARTS SEE MP-1-055	
CHECKED BY: BK		DATE: 6/27/01		PROPERTY OF ASCO POWER TECHNOLOGIES. USE PERMITTED FOR OUR WORK ONLY. ALL RIGHTS OF DESIGN OR INVENTION ARE RESERVED.	
DRAFTING APPROVAL BY: BK		DATE: 6/27/01		ASSEMBLY REF. NO.	
FINAL APPROVAL		ASCO		ASCO POWER TECHNOLOGIES, L.P. FLORHAM PARK, NEW JERSEY 07932 U.S.A.	
CHANGE LETTER		ECN NO.		BY APP. DATE	
SUBSIDIARY DISTRIBUTION		SCALE: 1:1		ACAD FILE	
COMPUTER GENERATED DRAWING		SIZE: DSWG NO.		DS713510	
CHANGE LETTER		ECN NO.		SHEET NO. 2 OF 6	

MAIN POWER POLES

TS OPERATOR CIRCUIT

EMERGENCY

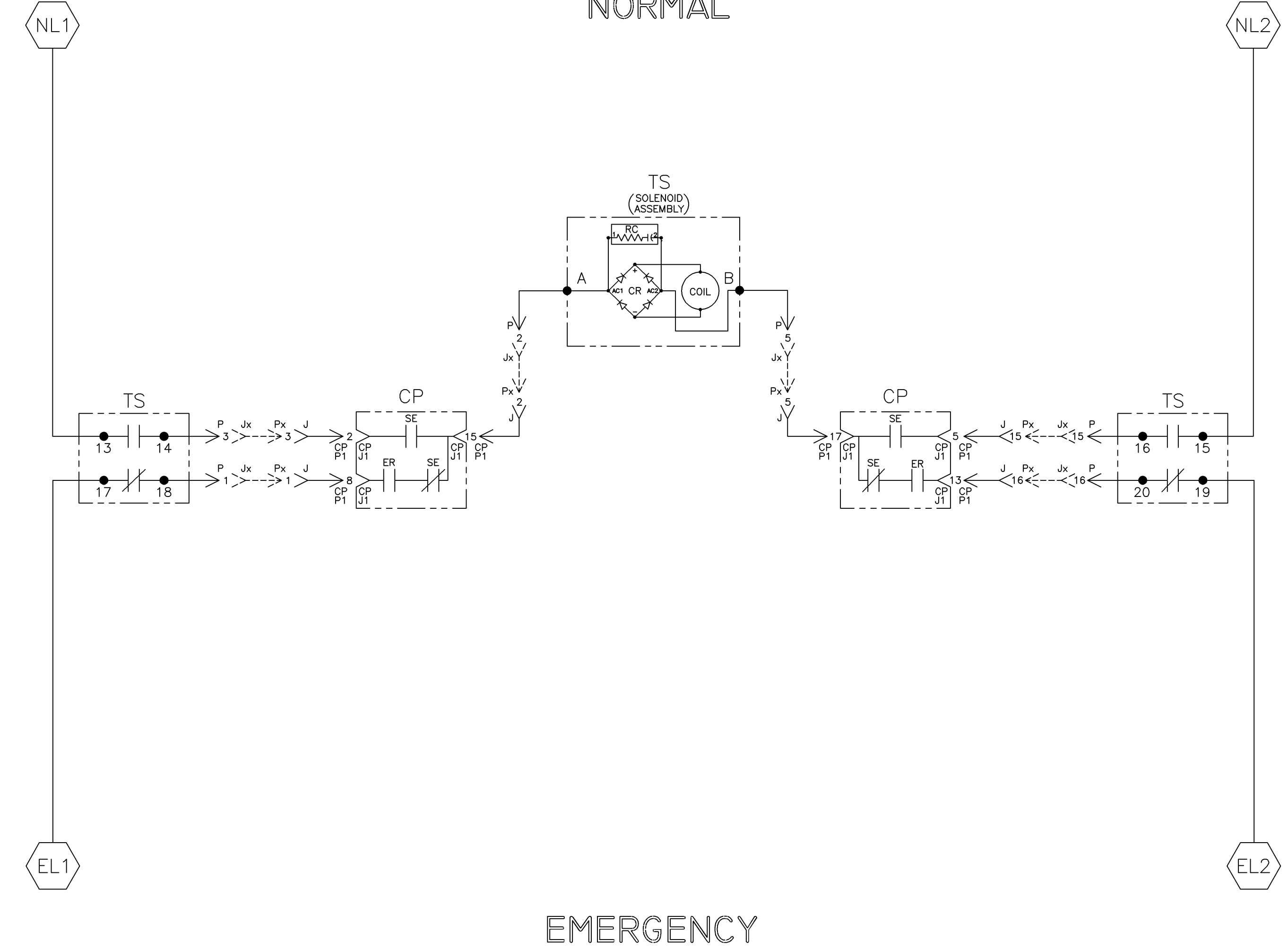
NORMAL



OPTIONAL NEUTRAL TYPES
REFER TO "EXPLANATION OF CATALOG NUMBER CODES" IN CATALOG NUMBER CHART ON SHEET 1.

- NONE
- SWITCHING CONTACTS
- OVERLAPPING CONTACTS
- SOLID BUS PLATE

NOTE:
TS SHOWN CLOSED ON NORMAL SOURCE.



TS	SOLENOID POSITION			
	CLOSED BEFORE NORMAL	BEFORE TDC	BEFORE CLOSED	EMERG
13-14				
15-16				
17-18				
19-20				

TDC (TOP DEAD CENTER)
TRANSFER SWITCH TEST & ADJUSTMENT PROCEDURE SPECIFIES CONTROL CUT-OFF (CONTACT OPENING) SETTING.

PROJECT NAME:		WIRING DIAGRAM		THIRD ANGLE PROJECTION	
7000 SERIES (H7NTS) GROUP 5 CONTROLS		COMPUTER GENERATED DRAWING		SCALE 1:1 ACAD FILE	
DRAWN BY	DJB	DATE	6/27/01	ASSEMBLY NO.	
CHECKED	BK	DATE	6/27/01	PROPERTY OF ASCO POWER TECHNOLOGIES, USE PERMITTED FOR OUR WORK ONLY. ALL RIGHTS OF DESIGN OR INVENTION ARE RESERVED.	
DRAFTING APPROVAL	BK	DATE	6/27/01	SIZE	DWG. NO. DS713510
FINAL APPROVAL				CHANGE LETTER	ECN NO. 203916 SHEET 3 OF 6

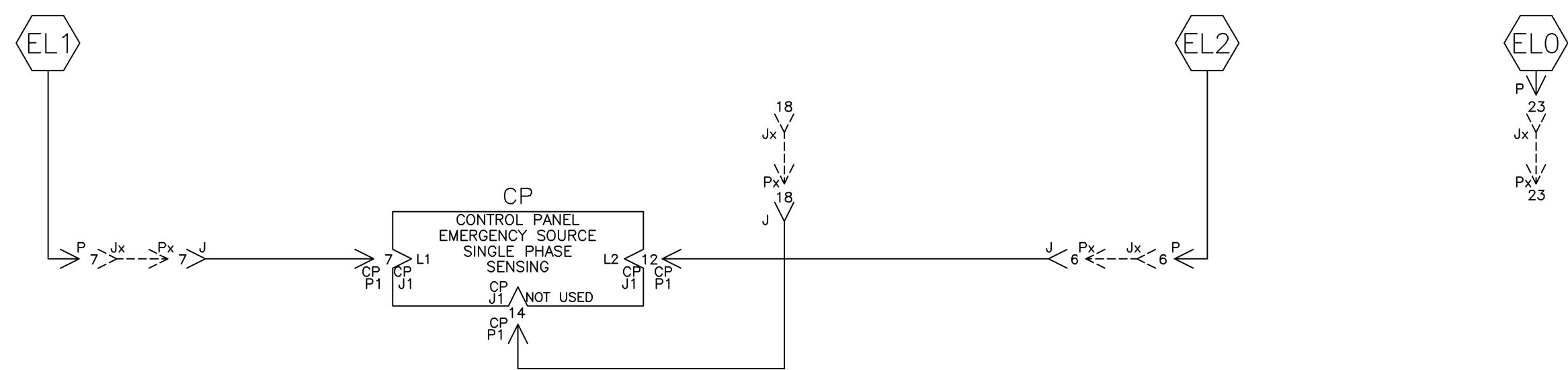
C	203916	TR	BK	04/01/05
SEE ECN				
B	166900	SDH	SDH	04/26/04
SEE ECN				
A	161048	BK	WK	161048
SEE ECN				
-	158033	BWM	BK	6/27/01
ISSUE				

ASCO POWER TECHNOLOGIES, L.P.
FLORHAM PARK, NEW JERSEY 07932 U.S.A.

EMERGENCY SOURCE CIRCUITS

ADDITIONAL CIRCUITS

EMERGENCY



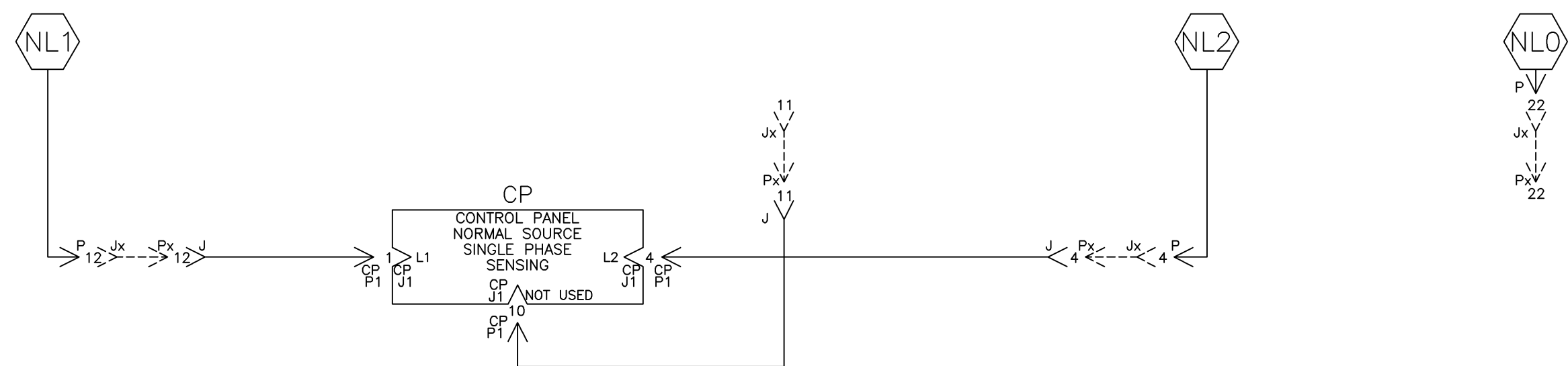
LOAD TERMINAL CIRCUITS

LOAD

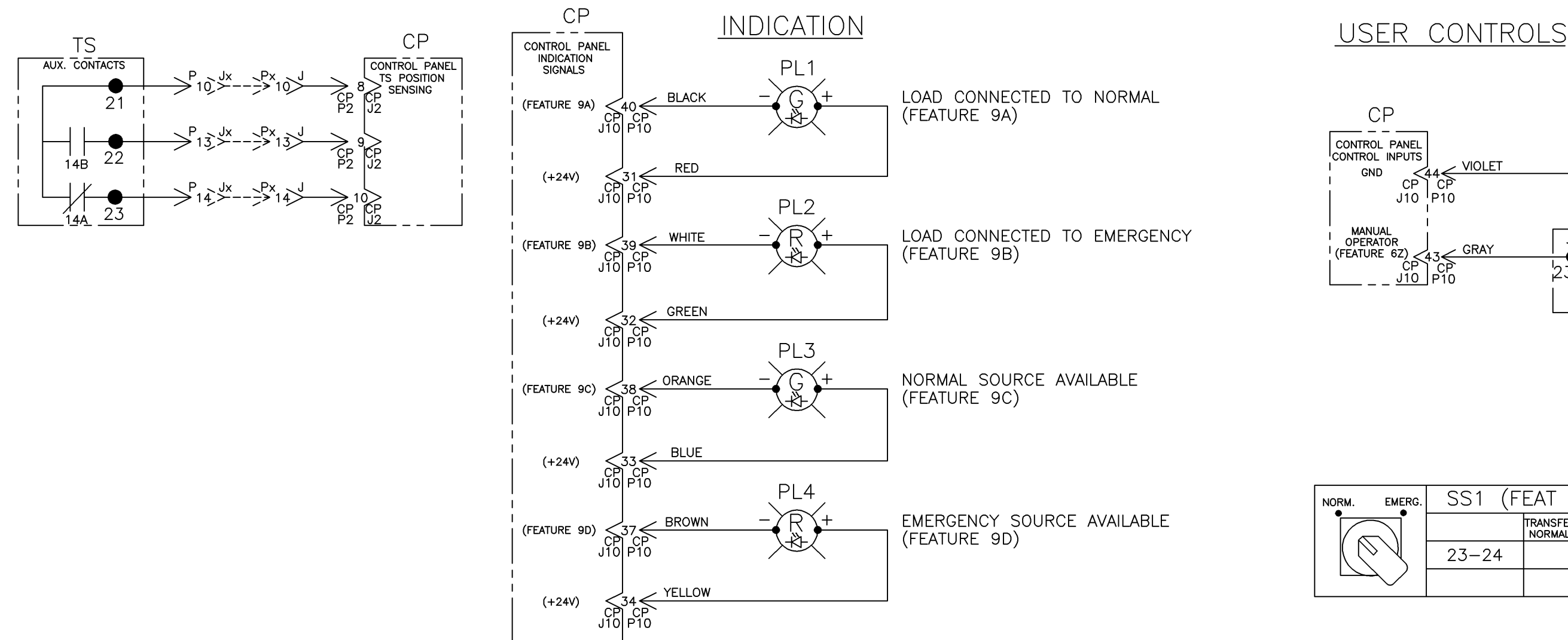


NORMAL SOURCE CIRCUITS

NORMAL



CONTROL CIRCUITS



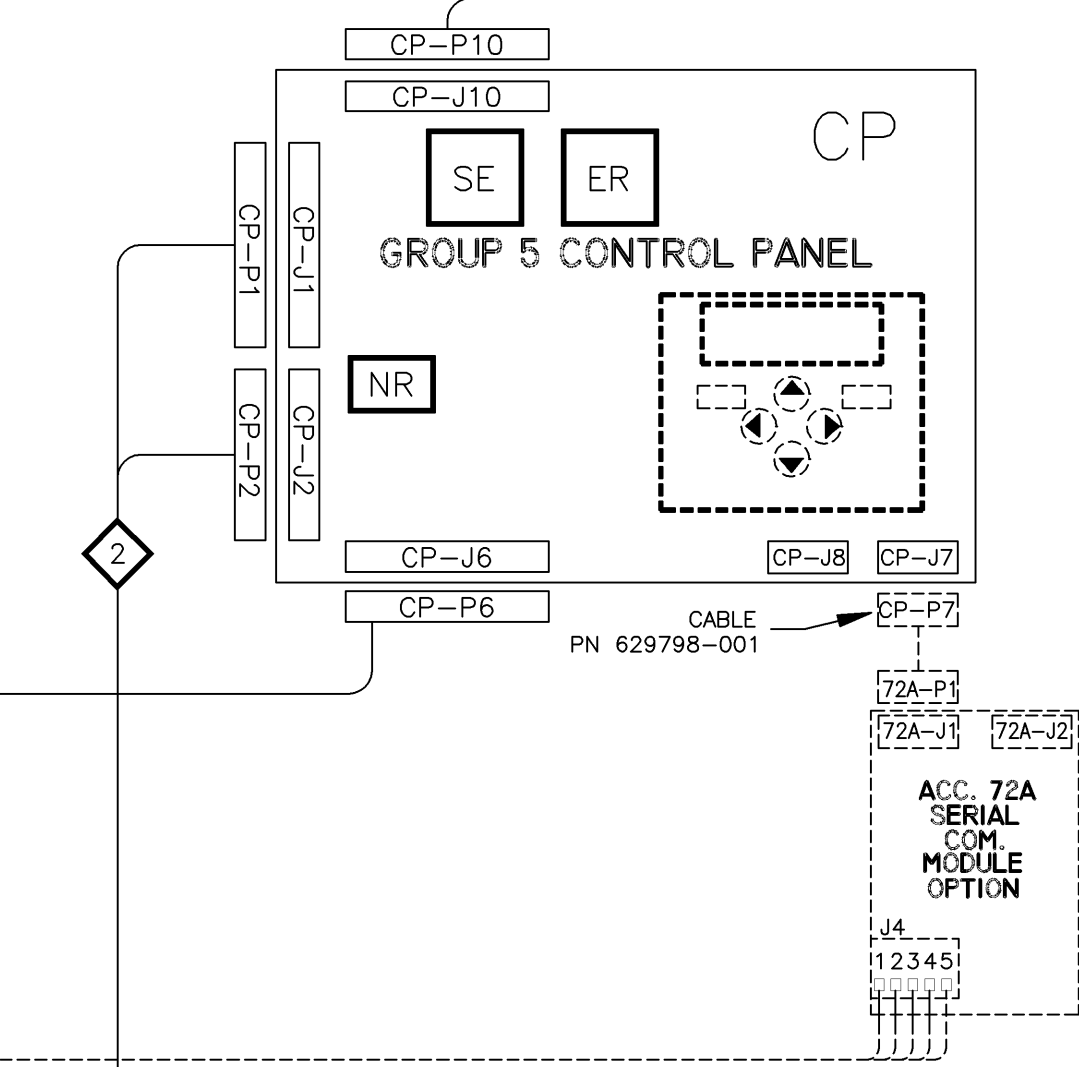
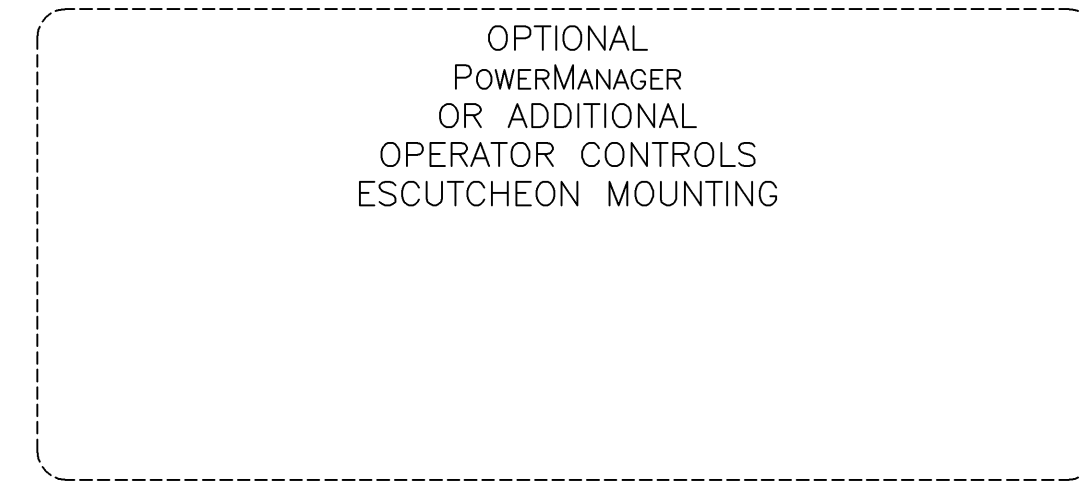
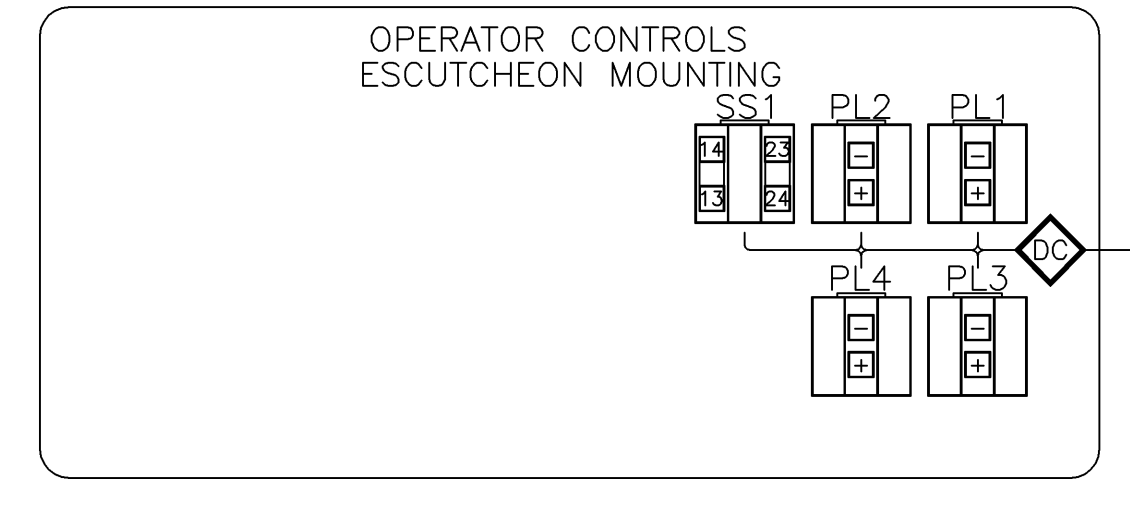
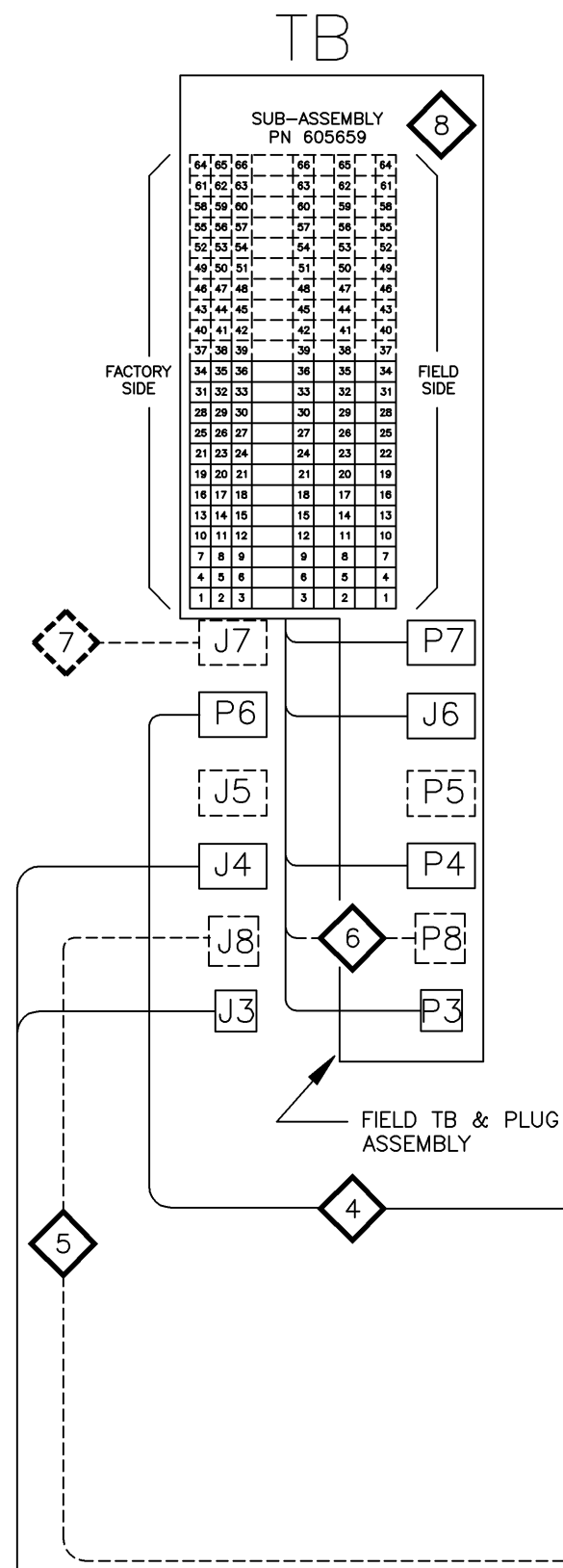
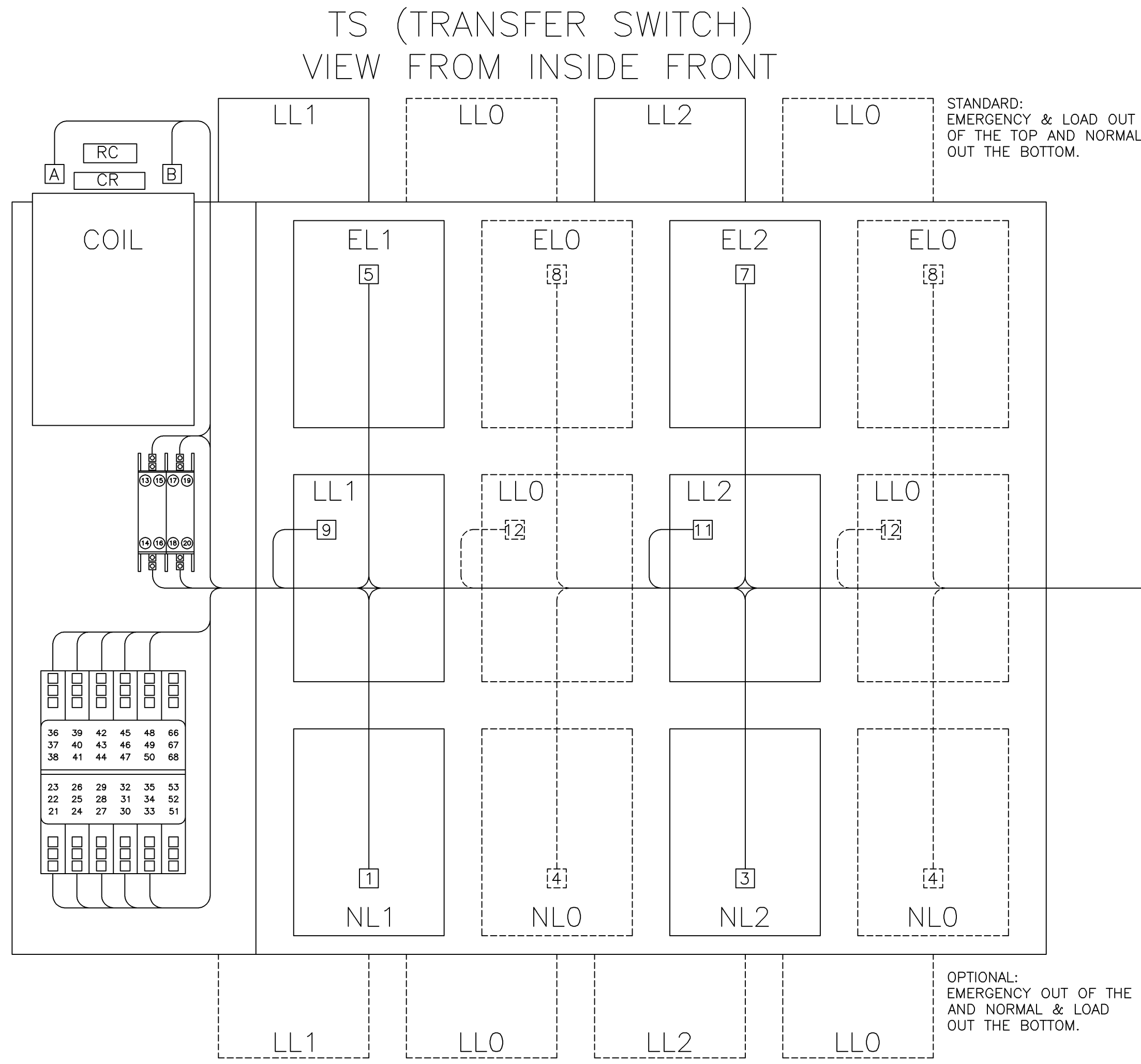
C	203916	TR	BK	04/01/05
SEE ECN				
B	166900	SDH	SDH	04/26/04
SEE ECN				
A	161048	BK	WK	161048
SEE ECN				
-	158033	BWM	BK	6/27/01
ISSUE				

PROJECT NAME:		WIRING DIAGRAM		SUBSIDIARY DISTRIBUTION	
7000 SERIES (H7NTS)		7000 SERIES (H7NTS)		THIRD ANGLE PROJECTION	
GROUP 5 CONTROLS		ASCO		COMPUTER GENERATED DRAWING	
BY	DATE	MANUFACTURING TOLERANCES TO BE IN ACCORDANCE WITH ASCO PROCEDURE MP-I-003. FOR PLASTIC PARTS SEE MP-I-055		ASSEM. REF. NO.	
DRAWN BY	DJB	6/27/01			
CHECKED	BK	6/27/01	PROPERTY OF ASCO POWER TECHNOLOGIES. USE PERMITTED FOR OUR WORK ONLY. ALL RIGHTS OF DESIGN OR INVENTION ARE RESERVED.		SCALE 1:1 ACAD FILE
DRAFTING APPROVAL	BK	6/27/01			SIZE DWG. NO. DS713510
FINAL APPROVAL			ASCO POWER TECHNOLOGIES, L.P. FLORHAM PARK, NEW JERSEY 07932 U.S.A.		CHANGE LETTER ECN NO. 203916 SHEET 4 OF 6

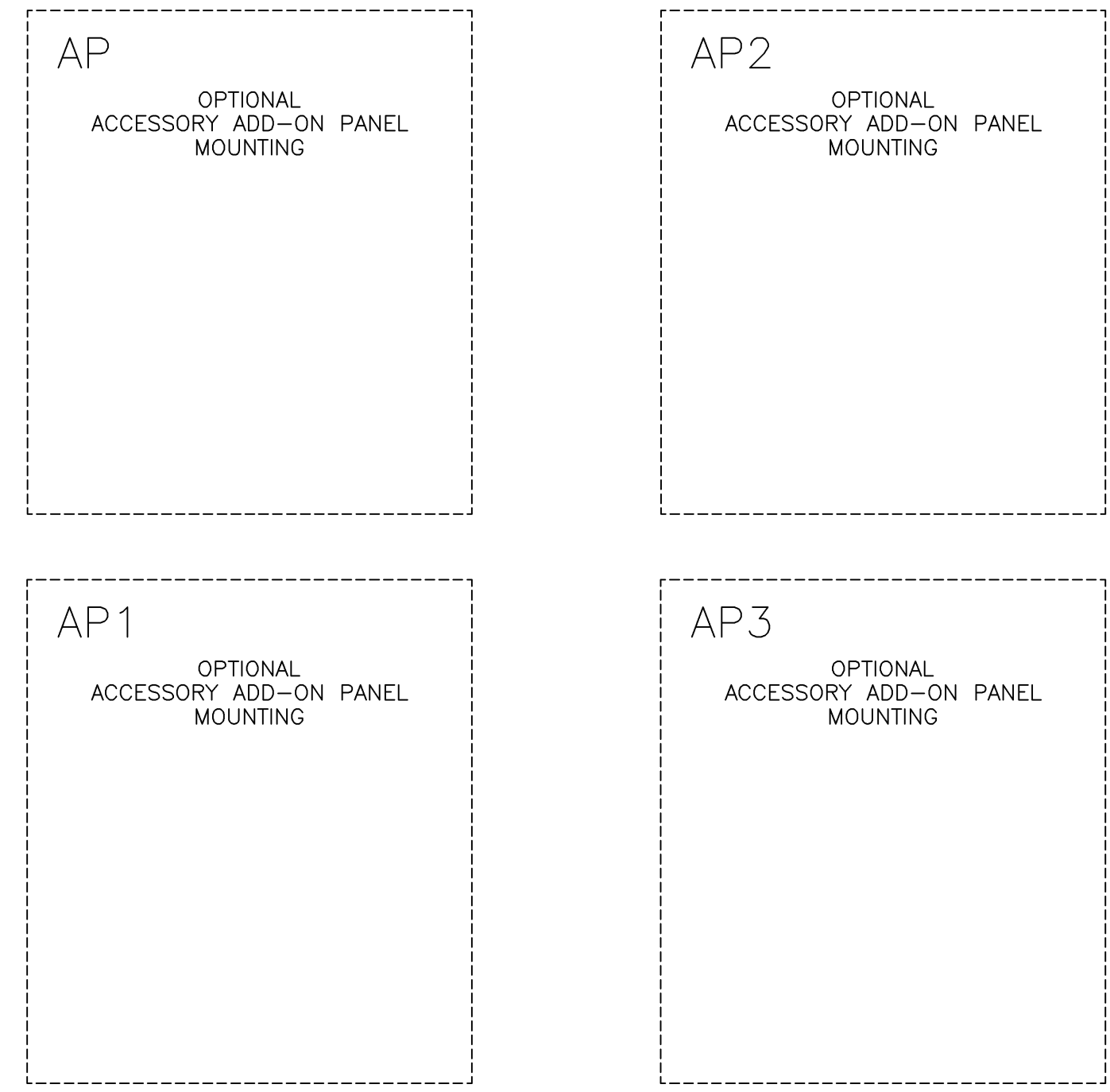
PHYSICAL DIAGRAM

ENCLOSURE

TOP DOOR (INSIDE)



BOTTOM DOOR (INSIDE)



DOOR HINGE

BONDING STRAP
PN 098323-019

OPERATOR CONTROLS

ID	DESCRIPTION
PL1	TS CONNECTED TO NORMAL (GREEN)
PL2	TS CONNECTED TO EMERGENCY (RED)
PL3	NORMAL SOURCE ACCEPTED (GREEN)
PL4	EMERGENCY SOURCE ACCEPTED (RED)
SS1	MANUAL TRANSFER OPERATOR NORMAL EMERGENCY

C	203916	TR	BK	04/01/05
	SEE ECN			
B	166900	SDH	SDH	04/26/04
	SEE ECN			
A	161048	BK	WK	161048
	SEE ECN			
-	158033	BWM	BK	6/27/01
	ISSUE			

PROJECT NAME: WIRING DIAGRAM

7000 SERIES (H7NTS)
GROUP 5 CONTROLS

THIRD ANGLE PROJECTION

BY	DATE	MANUFACTURING TOLERANCES TO BE IN ACCORDANCE WITH ASCO PROCEDURE MP-1-003. FOR PLASTIC PARTS SEE MP-1-055	ASSEM. REF. NO.
DJB	6/27/01		
BK	6/27/01		
BK	6/27/01		

PROPERTY OF ASCO POWER TECHNOLOGIES. USE PERMITTED FOR OUR WORK ONLY. ALL RIGHTS OF DESIGN OR INVENTION ARE RESERVED.

SCALE: 1:1 ACAD FILE

SIZE: DWS NO. DS713510

CHANGE LETTER: C ECN NO. 203916 SHEET NO. 5 OF 6

ASCO POWER TECHNOLOGIES, L.P. FLORHAM PARK, NEW JERSEY 07932 U.S.A.

