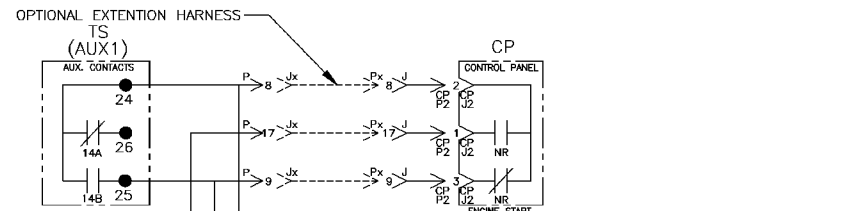
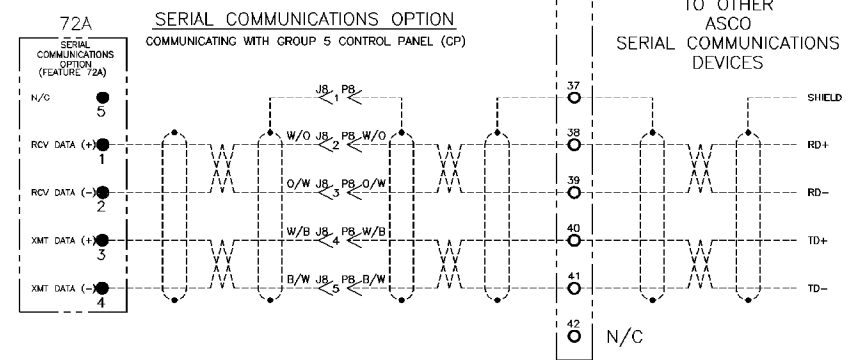
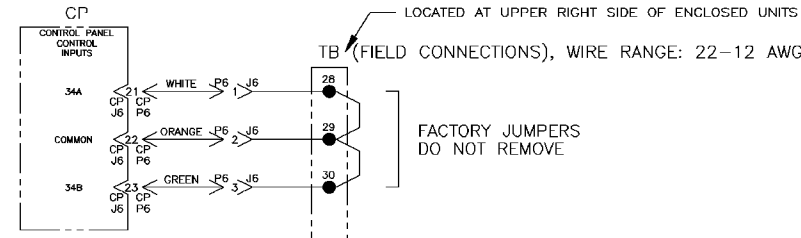
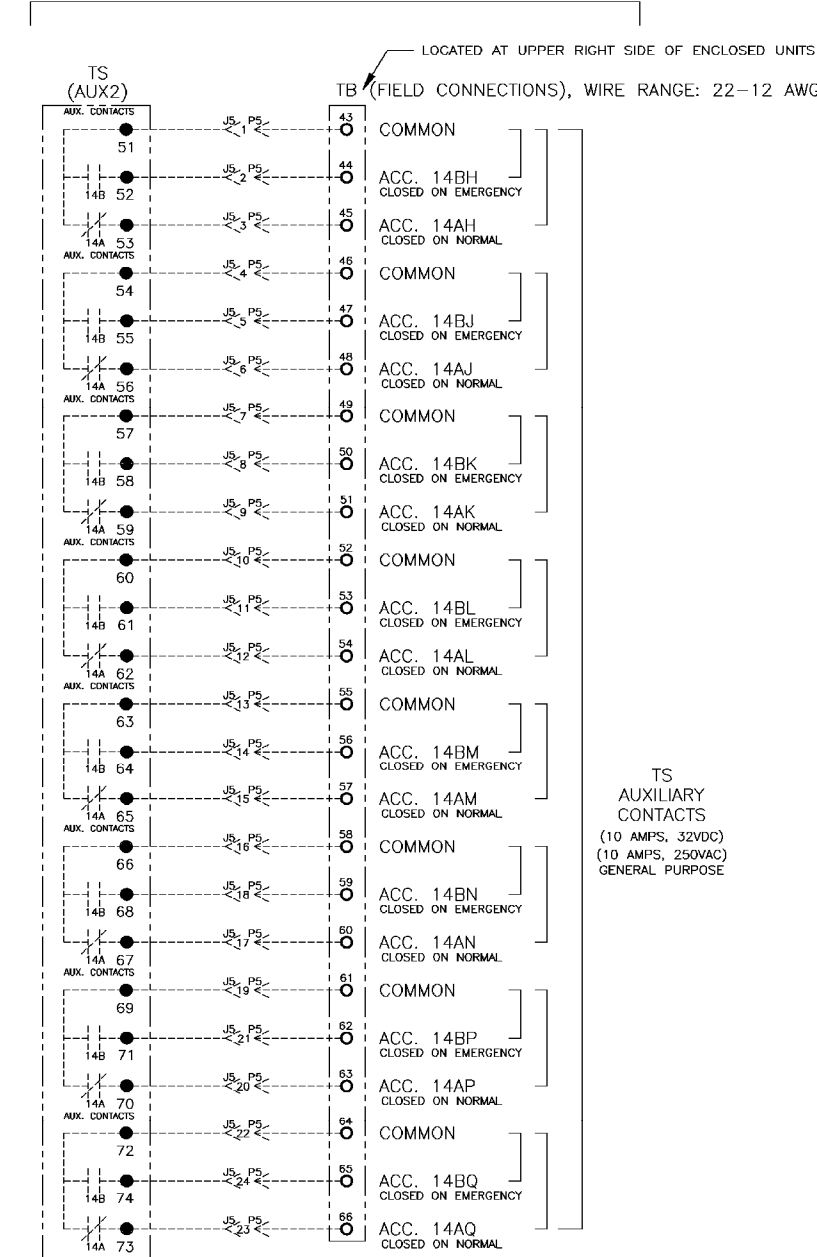


FIELD CONNECTIONS



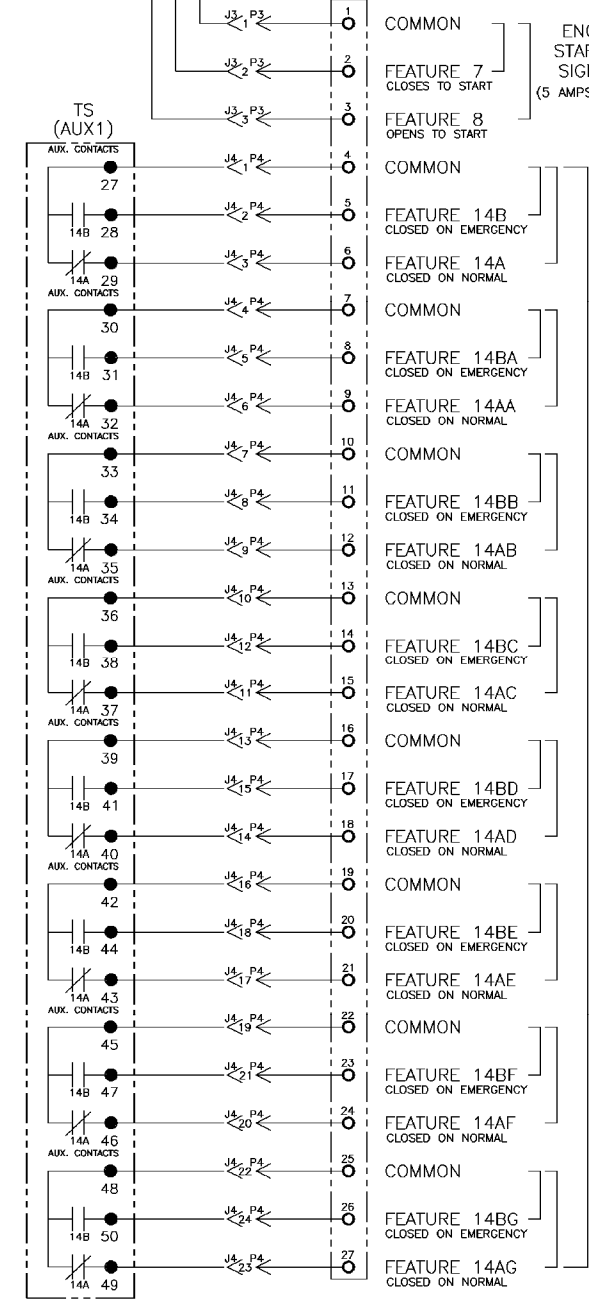
OPTIONAL ACCESSORY (ACC.) AUXILIARY CONTACTS



- 72A NOTES:**
- GROUND SHIELD AT HOST DEVICE ONLY.
 - FIELD WIRING: USE UL LISTED, STRANDED, TWISTED PAIRS, OVERALL FOIL SHIELD WITH STRANDED DRAIN WIRE SUITABLE FOR RS-422 EQUIVALENT TO:
 - (STANDARD 80°C) BELDEN 9842 OR 9829 OR ALPHA 6202C OR 6222C
 - (PLENUM RATED) BELDEN 89729 OR 82729 OR ALPHA 58902

TS AUXILIARY CONTACTS
(10 AMPS, 32VDC)
(10 AMPS, 250VAC)
GENERAL PURPOSE

TS AUXILIARY CONTACTS
(10 AMPS, 32VDC)
(10 AMPS, 250VAC)
GENERAL PURPOSE



PROJECT NAME:		WIRING DIAGRAM	
DRAWN BY: BK		DATE: 6/99	
CHECKED:		DATE:	
DRAFTING APPROVAL:		DATE:	
FINAL APPROVAL:		DATE:	
MANUFACTURING TOLERANCES TO BE IN ACCORDANCE WITH ASCO PROCEDURE MP-1-003. FOR PLASTIC PARTS SEE MP-1-055.		ASSEMBLY REF. NO.:	
PROPERTY OF ASCO POWER TECHNOLOGIES. USE PERMITTED FOR OUR WORK ONLY. ALL RIGHTS OF DESIGN OR INVENTION ARE RESERVED.		SCALE: ACAD FILE	
ASCO POWER TECHNOLOGIES, L.P. FLORHAM PARK, NEW JERSEY 07932 U.S.A.		SIZE: DMC. NO. DS1627253	
CHANGE LETTER: B		ISSUE NO.: 157978	
CHANGE LETTER: A		ISSUE NO.: 157978	
CHANGE LETTER: -		ISSUE NO.: 152081	
CHANGE LETTER: -		ISSUE NO.: 155958	
CHANGE LETTER: -		ISSUE NO.: 157978	

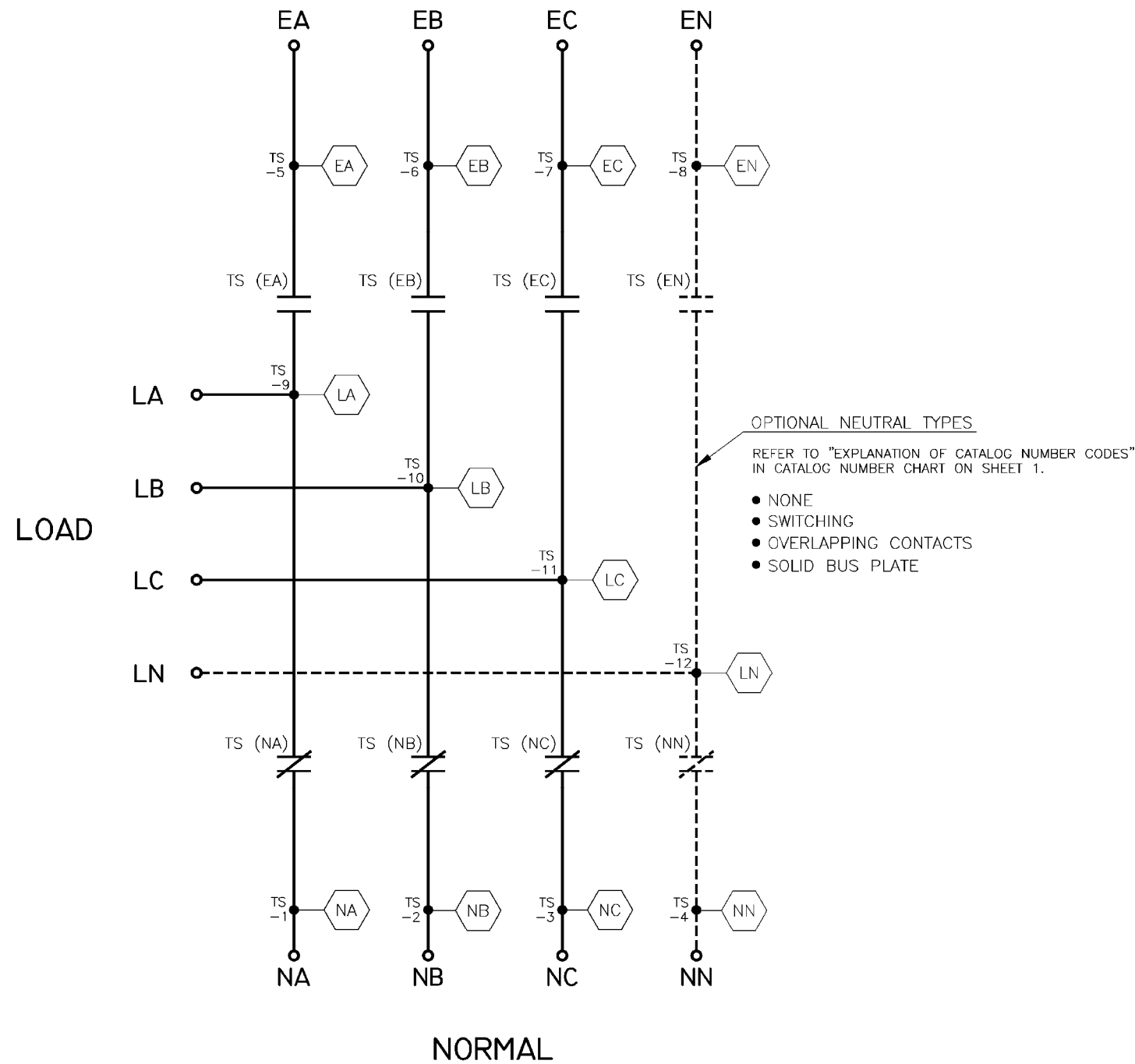
B	157978	WK	BK	6/16/01
A	155958	BK	BK	11/00
-	152081	BK	WK	6/99

MAIN POWER POLES

TS OPERATOR CIRCUIT

EMERGENCY

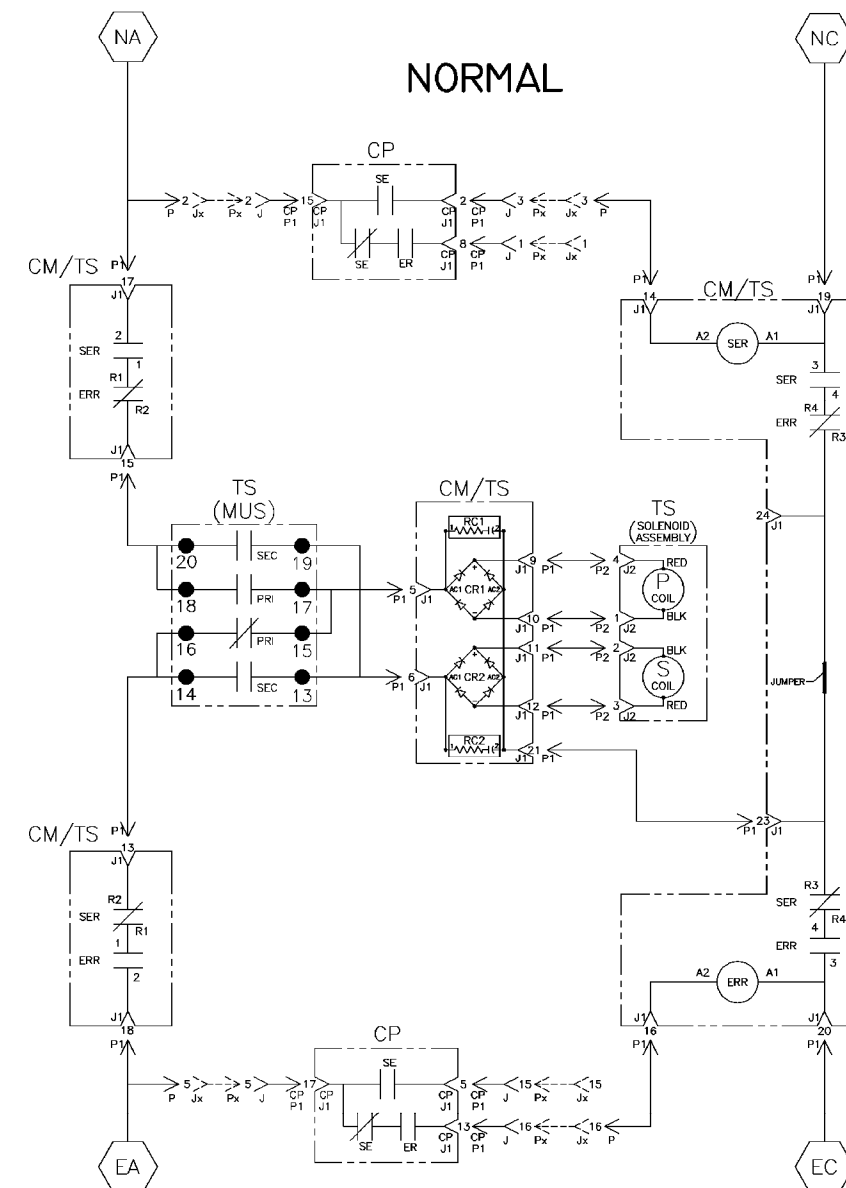
NORMAL



OPTIONAL NEUTRAL TYPES
 REFER TO "EXPLANATION OF CATALOG NUMBER CODES"
 IN CATALOG NUMBER CHART ON SHEET 1.

- NONE
- SWITCHING
- OVERLAPPING CONTACTS
- SOLID BUS PLATE

NOTE:
 TS SHOWN CLOSED ON
 NORMAL SOURCE.



TS (MUS) CONTACTS					
MUS	SOLENOID POSITION				
	NORM	>	AFTER TOC*	<	EMER
13-14					
15-16					
17-18					
19-20					

* AFTER SOLENOID PASSES THROUGH TOP DEAD CENTER POSITION.

PROJECT NAME: WIRING DIAGRAM
 7000 SERIES (7NTS)
 GROUP 5 CONTROLS

BY: BK DATE: 6/99
 CHECKED: BK DATE: 6/99
 DRAFTING APPROVAL: WK DATE: 6/99
 FINAL APPROVAL: WK DATE: 6/99

MANUFACTURING TOLERANCES TO BE IN ACCORDANCE WITH ASCO PROCEDURE MP-1-003. FOR PLASTIC PARTS SEE MP-1-055.

PROPERTY OF ASCO POWER TECHNOLOGIES. USE PERMITTED FOR OUR WORK ONLY. ALL RIGHTS OF DESIGN OR INVENTION ARE RESERVED.

ASCO POWER TECHNOLOGIES, L.P.
 FLOHAM PARK, NEW JERSEY 07932 U.S.A.

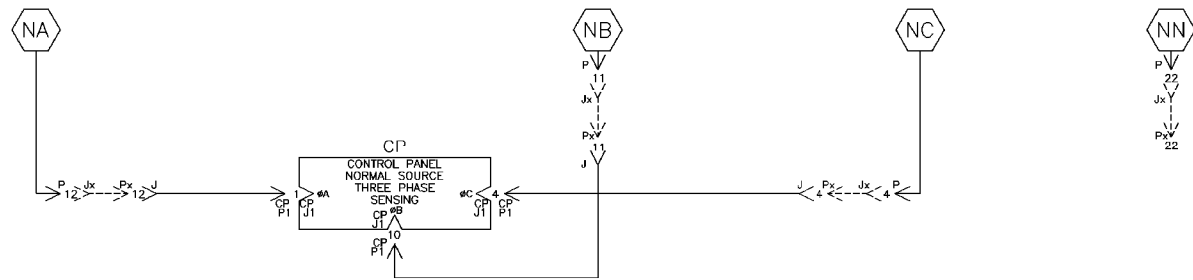
B	15797B	WK	BK	6/16/01
A	15595B	BK	BK	11/00
	152081	BK	WK	6/99

CHANGE LETTER: B ECN NO.: 15797B

SCALE: ACAD FILE
 SIZE: DMC NO.
 COMPUTER GENERATED DRAWING
 DS1627253
 SHEET 3 OF 8

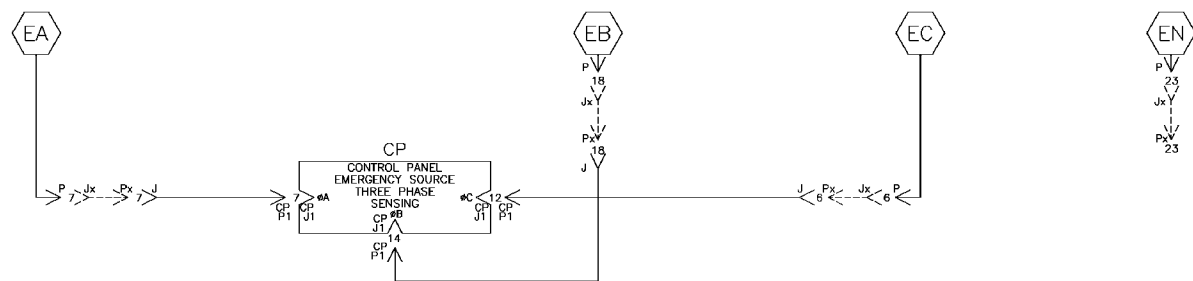
NORMAL SOURCE CIRCUITS

NORMAL



EMERGENCY SOURCE CIRCUITS

EMERGENCY



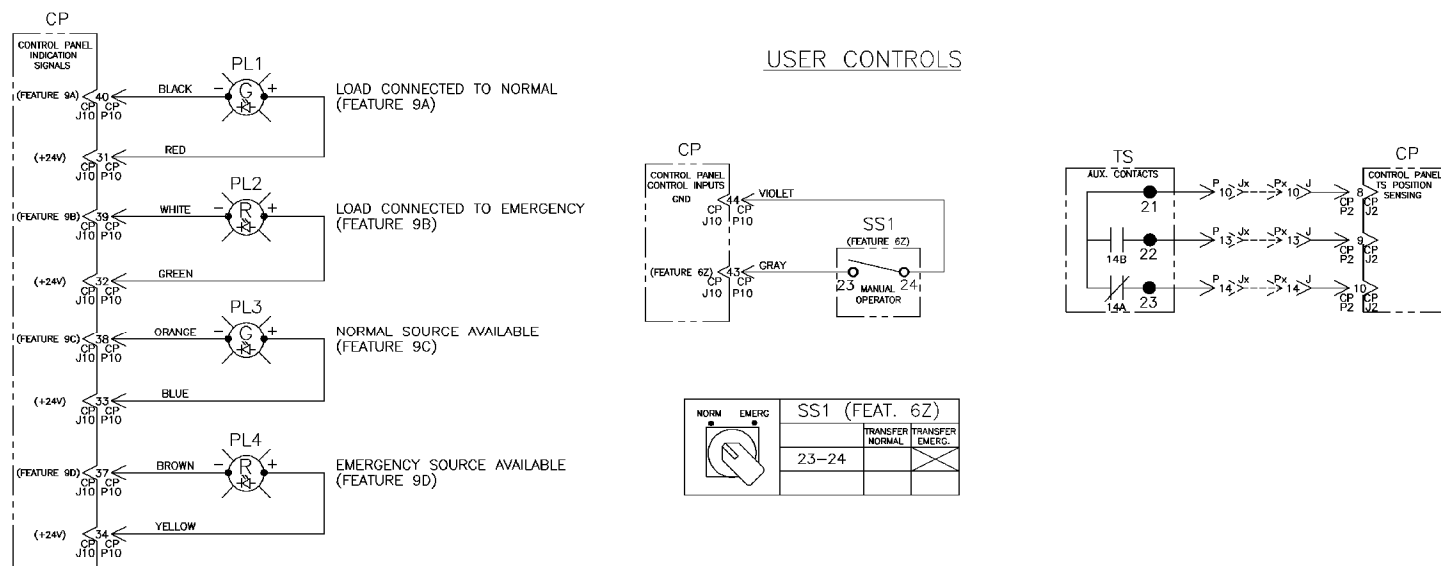
LOAD TERMINAL CIRCUITS

LOAD



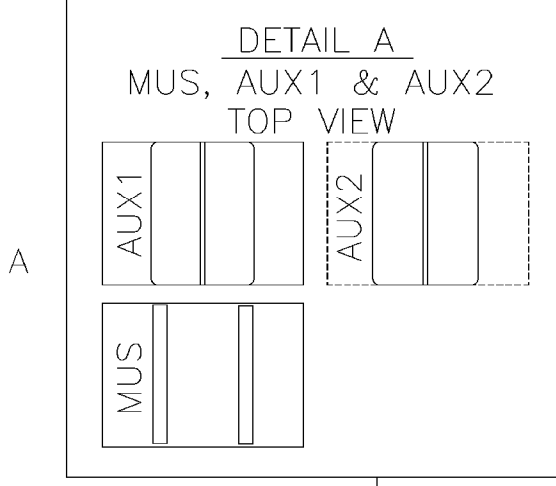
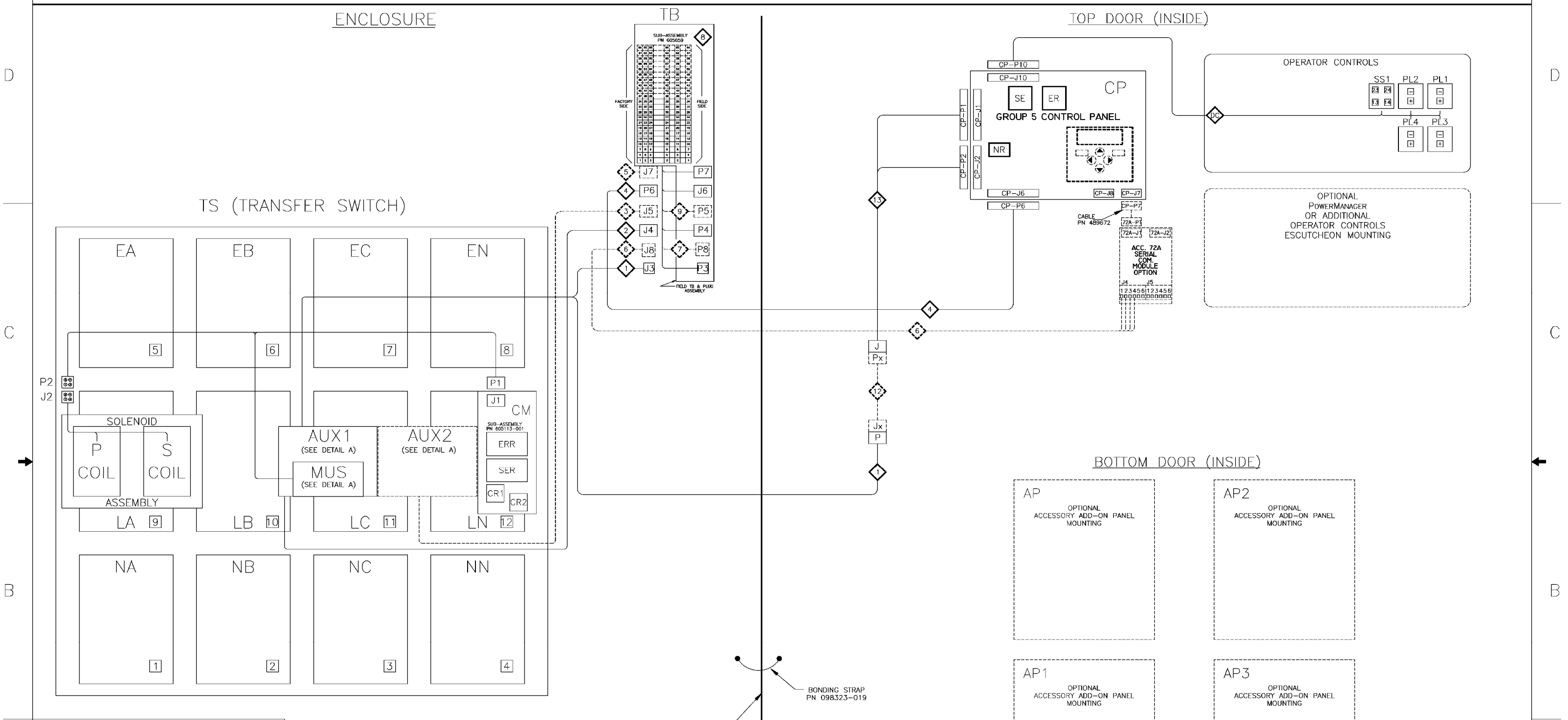
CONTROL SIGNALS & INDICATION

USER CONTROLS



PROJECT NAME	WIRING DIAGRAM			7000 SERIES (7NTS) GROUP 5 CONTROLS		
DRAWN BY	BK	DATE	6/99	MANUFACTURING TOLERANCES TO BE IN ACCORDANCE WITH ASCO PROCEDURE MP-1-003. FOR PLASTIC PARTS SEE MP-1-055	ASSEM. REF. NO.	
CHECKED				PROPERTY OF ASCO POWER TECHNOLOGIES. USE PERMITTED FOR OUR WORK ONLY. ALL RIGHTS OF DESIGN OR INVENTION ARE RESERVED.		
DRAFTING APPROVAL						
FINAL APPROVAL	WK	6/99		ASCO ASCO POWER TECHNOLOGIES, L.P. FLOHAM PARK, NEW JERSEY 07932 U.S.A.		
CHANGE LETTER	B	EDN NO.	157978	SCALE	ACAD	FILE
	A			SIZE	DWG. NO.	DS627253
				CHANGE LETTER	EDN NO.	157978
						SHEET 4 OF 8

PHYSICAL DIAGRAM



OPERATOR CONTROLS

ID	DESCRIPTION
PL1	TS CONNECTED TO NORMAL
PL2	TS CONNECTED TO EMERGENCY
PL3	NORMAL SOURCE ACCEPTED
PL4	EMERGENCY SOURCE ACCEPTED
SS1	MANUAL TRANSFER OPERATION
	NORMAL EMERGENCY

PROJECT NAME: WIRING DIAGRAM
 7000 SERIES (7NTS)
 GROUP 5 CONTROLS

MANUFACTURING TOLERANCES TO BE IN ACCORDANCE WITH ASCO PROCEDURE MP-1-003. FOR PLASTIC PARTS, SEE MP-1-055.

PROPERTY OF ASCO POWER TECHNOLOGIES. USE PERMITTED FOR OUR WORK ONLY. ALL RIGHTS OF DESIGN OR INVENTION ARE RESERVED.

ASCO POWER TECHNOLOGIES, L.P.
 FLORHAM PARK, NEW JERSEY 07932 U.S.A.

BY	DATE	APP. NO.	DATE
BK	6/99		

AE	AN	AW	AX	AY	AZ	BA	BB	BC	BD
BE	BF	BG	BH	BI	BJ	BK	BL	BM	BN
BO	BP	BQ	BR	BS	BT	BU	BV	BW	BX
BY	BZ	CA	CB	CC	CD	CE	CF	CG	CH
CI	CJ	CK	CL	CM	CN	CO	CP	CQ	CR
CS	CT	CU	CV	CW	CX	CY	CZ	DA	DB
DC	DD	DE	DF	DG	DH	DI	DJ	DK	DL
DM	DN	DO	DP	DQ	DR	DS	DT	DU	DV
DW	DX	DY	DD	DE	DF	DG	DH	DI	DJ

CHANGE LETTER B EDN NO. 157978 BY WK APP. BK DATE 6/16/01

ISSUE

COMPUTER GENERATED DRAWING

SCALE: ACAD FILE

SIZE: DMC. NO.

DS1627253

CHANGE LETTER B EDN NO. 157978 SHEET 5 OF 6

WIRE RUN LISTING

HARNESS LOCATOR		BOX CHECKED IF HARNESS IS MODIFIED	CLR	AWG
HARNESS 605454 (P1,P2,J3) MAIN TS				
WIRE No.				16
1	P-2,TS-1			
2	P-3,P1-14			
3	P-4,TS-3			
4	P-5,TS-5			
5	P-6,TS-7			
6	P-7,TS-5			
7	P-8,TS(AUX1)-24			
8	TS(AUX1)-24,J3-1			
9	P-9,TS(AUX1)-25			
10	TS(AUX1)-25,J3-2			
11	P-10,TS(AUX1)-21			
12	P-11,TS-2			
13	P-12,TS-1			
14	P-13,TS(AUX1)-22			
15	P-14,TS(AUX1)-23			
16	P-16,P1-16			
17	P-17,J3-3			
18	P-18,TS-6			
19	P-19,TS-9			
20	P-20,TS-10			
21	P-21,TS-11			
22	P-22,TS-4			
23	P-23,TS-8			
24	P-24,TS-12			
25	P1-5,TS(MUS)-17			
26	TS(MUS)-17,TS(MUS)-15			
27	P1-6,TS(MUS)-19			
28	TS(MUS)-19,TS(MUS)-13			
29	P1-9,P2-4			
30	P1-10,P2-1			
31	P1-11,P2-2			
32	P1-12,P2-3			
33	P1-13,TS(MUS)-16			
34	TS(MUS)-16,TS(MUS)-14			
35	P1-15,TS(MUS)-20			
36	TS(MUS)-20,TS(MUS)-18			
37	P1-17,TS-1			
38	P1-18,TS-5			
39	P1-19,TS-3			
40	P1-20,TS-7			
41	P1-21,P1-23			
ADD WIRES				
200	P-1			
222	P-15			
201	P1-1			
202	P1-2			
203	P1-3			
204	P1-4			
205	P1-7			
206	P1-8			
207	P1-16			
208	P1-22			
209	P1-24			
ADD WIRES				
221	J3-4			

HARNESS LOCATOR		BOX CHECKED IF HARNESS IS MODIFIED	CLR	AWG
HARNESS 605454-001 (J4) STANDARD AUX. CONTACTS				
WIRE No.				16
40	J4-1,TS(AUX1)-27			
41	J4-2,TS(AUX1)-28			
42	J4-3,TS(AUX1)-29			
43	J4-4,TS(AUX1)-30			
44	J4-5,TS(AUX1)-31			
45	J4-6,TS(AUX1)-32			
46	J4-7,TS(AUX1)-33			
47	J4-8,TS(AUX1)-34			
48	J4-9,TS(AUX1)-35			
49	J4-10,TS(AUX1)-36			
50	J4-11,TS(AUX1)-37			
51	J4-12,TS(AUX1)-38			
52	J4-13,TS(AUX1)-39			
53	J4-14,TS(AUX1)-40			
54	J4-15,TS(AUX1)-41			
55	J4-16,TS(AUX1)-42			
56	J4-17,TS(AUX1)-43			
57	J4-18,TS(AUX1)-44			
58	J4-19,TS(AUX1)-45			
59	J4-20,TS(AUX1)-46			
60	J4-21,TS(AUX1)-47			
61	J4-22,TS(AUX1)-48			
62	J4-23,TS(AUX1)-49			
63	J4-24,TS(AUX1)-50			

HARNESS LOCATOR		BOX CHECKED IF HARNESS IS MODIFIED	CLR	AWG
HARNESS 605454-002 (J5) OPTIONAL AUX. CONTACTS				
WIRE No.				16
70	J5-1,TS(AUX2)-51			
71	J5-2,TS(AUX2)-52			
72	J5-3,TS(AUX2)-53			
73	J5-4,TS(AUX2)-54			
74	J5-5,TS(AUX2)-55			
75	J5-6,TS(AUX2)-56			
76	J5-7,TS(AUX2)-57			
77	J5-8,TS(AUX2)-58			
78	J5-9,TS(AUX2)-59			
79	J5-10,TS(AUX2)-60			
80	J5-11,TS(AUX2)-61			
81	J5-12,TS(AUX2)-62			
82	J5-13,TS(AUX2)-63			
83	J5-14,TS(AUX2)-64			
84	J5-15,TS(AUX2)-65			
85	J5-16,TS(AUX2)-66			
86	J5-17,TS(AUX2)-67			
87	J5-18,TS(AUX2)-68			
88	J5-19,TS(AUX2)-69			
89	J5-20,TS(AUX2)-70			
90	J5-21,TS(AUX2)-71			
91	J5-22,TS(AUX2)-72			
92	J5-23,TS(AUX2)-73			
93	J5-24,TS(AUX2)-74			

HARNESS LOCATOR		BOX CHECKED IF HARNESS IS MODIFIED	CLR	AWG
HARNESS 619510-005 (P6) FIELD INPUTS				
WIRE No.				22 (12 COND)
100	P6-1,CP-P6-21		WHT	
101	P6-2,CP-P6-22		ORG	
102	P6-3,CP-P6-23		GRN	
103	P6-4,CP-P6-9		BLK	
104	P6-5,CP-P6-10		RED	
ADD WIRES				
105	P6-6			
106	P6-7			
107	P6-8			
108	P6-9			
109	P6-10			
110	P6-11			
111	P6-12			
112	P6-13			
113	P6-14			
114	P6-15			
115	P6-16			
116	P6-17			
117	P6-18			
118	P6-19			
119	P6-20			
120	P6-21			
121	P6-22			
122	P6-23			
123	P6-24			

HARNESS LOCATOR		BOX CHECKED IF HARNESS IS MODIFIED	CLR	AWG
HARNESS (J7) FIELD OUTPUTS				
WIRE No.				16
130	J7-1			
131	J7-2			
132	J7-3			
133	J7-4			
134	J7-5			
135	J7-6			
136	J7-7			
137	J7-8			
138	J7-9			
139	J7-10			
140	J7-11			
141	J7-12			
142	J7-13			
143	J7-14			
144	J7-15			
145	J7-16			
146	J7-17			
147	J7-18			
148	J7-19			
149	J7-20			
150	J7-21			
151	J7-22			
152	J7-23			
153	J7-24			

HARNESS LOCATOR		BOX CHECKED IF HARNESS IS MODIFIED	CLR	AWG
HARNESS 605454-005 (J8) OPTIONAL SERIAL I/O				
WIRE No.				22 (4 COND)
160	J8-1,SHLD		SHLD	
161	J8-2,72A-1		WHT/ORG	
162	J8-3,72A-2		ORG/WHT	
163	J8-4,72A-3		WHT/BLU	
164	J8-5,72A-4		BLU/WHT	
210	J8-6			
211	J8-7			
212	J8-8			
213	J8-9			

HARNESS LOCATOR		BOX CHECKED IF HARNESS IS MODIFIED	CLR	AWG
HARNESS 605454-007 (P8,1B) OPTIONAL SERIAL I/O				
WIRE No.				22 (4 COND)
160	P8-1,TB-37		SHLD	
161	P8-2,TB-38		WHT/ORG	
162	P8-3,TB-39		ORG/WHT	
163	P8-4,TB-40		WHT/BLU	
164	P8-5,TB-41		BLU/WHT	
210	P8-6			
211	P8-7			
212	P8-8			
213	P8-9			

HARNESS LOCATOR		BOX CHECKED IF HARNESS IS MODIFIED	CLR	AWG
SUB-ASSEMBLY 605659 (P3,P4,J6,P7,TB) STD. FIELD TB				
WIRE No.				16
6	TB-1,P3-1			
7	TB-2,P3-2			
14	TB-3,P3-3			
40	TB-4,P4-1			
41	TB-5,P4-2			
42	TB-6,P4-3			
43	TB-7,P4-4			
44	TB-8,P4-5			
45	TB-9,P4-6			
46	TB-10,P4-7			
47	TB-11,P4-8			
48	TB-12,P4-9			
49	TB-13,P4-10			
51	TB-14,P4-12			
50	TB-15,P4-11			
52	TB-16,P4-13			
54	TB-17,P4-15			
53	TB-18,P4-14			
55	TB-19,P4-16			
57	TB-20,P4-18			
56	TB-21,P4-17			
58	TB-22,P4-19			
60	TB-23,P4-21			
59	TB-24,P4-20			
61	TB-25,P4-22			
63	TB-26,P4-24			
62	TB-27,P4-23			
100	TB-28,J6-1			
101	TB-29,J6-2			
102	TB-30,J6-3			
103	TB-31,J6-4			
104	TB-32,J6-5			
130	TB-34,P7-1			
131	TB-35,P7-2			
132	TB-36,P7-3			

HARNESS LOCATOR		BOX CHECKED IF HARNESS IS MODIFIED	CLR	AWG
JUMPERS				
	TB-28,TB-29			
	TB-29,TB-30			

HARNESS LOCATOR		BOX CHECKED IF HARNESS IS MODIFIED	CLR	AWG
ADD WIRES				
221	P3-4			
105	J6-6			
106	J6-7			
107	J6-8			
108	J6-9			
109	J6-10			
110	J6-11			
111	J6-12			
112	J6-13			
113	J6-14			
114	J6-15			
115	J6-16			
116	J6-17			
117	J6-18			
118	J6-19			
119	J6-20			
120	J6-21			
121	J6-22			
122	J6-23			
123	J6-24			
133	P7-4			
134	P7-5			
135	P7-6			
136	P7-7			
137	P7-8			
138	P7-9			
139	P7-10			
140	P7-11			
141	P7-12			
142	P7-13			
143	P7-14			
144	P7-15			
145	P7-16			
146	P7-17			
147	P7-18			
148	P7-19			
149	P7-20			
150	P7-21			
151	P7-22			
152	P7-23			
153	P7-24			

HARNESS LOCATOR		BOX CHECKED IF HARNESS IS MODIFIED	CLR	AWG
HARNESS 605454-008 (P5,TB) OPT. AUX. CONTACTS				
WIRE No.				16
70	TB-43,P5-1			
71	TB-44,P5-2			
72	TB-45,P5-3			
73	TB-46,P5-4			
74	TB-47,P5-5			
75	TB-48,P5-6			
76	TB-49,P5-7			
77	TB-50,P5-8			
78	TB-51,P5-9			
79	TB-52,P5-10			
80	TB-53,P5-11			
81	TB-54,P5-12			
82	TB-55,P5-13			
83	TB-56,P5-14			
84	TB-57,P5-15			
85	TB-58,P5-16			
87	TB-59,P5-18			
86	TB-60,P5-17			
88	TB-61,P5-19			
90	TB-62,P5-21			
89	TB-63,P5-20			
91	TB-64,P5-22			
93	TB-65,P5-24			
92	TB-66,P5-23			

HARNESS LOCATOR		BOX CHECKED IF HARNESS IS MODIFIED	CLR	AWG
HARNESS 713083-001 (CP-P10) DOOR CONTROLS & INDICATORS				
WIRE No.				22 (12 COND)
170	CP-P10-31,PL1(+)		RED	
171	CP-P10-42,SS1-14		TAN	
172	CP-P10-40,PL1(-)		BLK	
173	CP-P10-39,PL2(-)		WHT	
174	CP-P10-38,PL3(-)		ORG	
175	CP-P10-37,PL4(-)		BRN	
176				