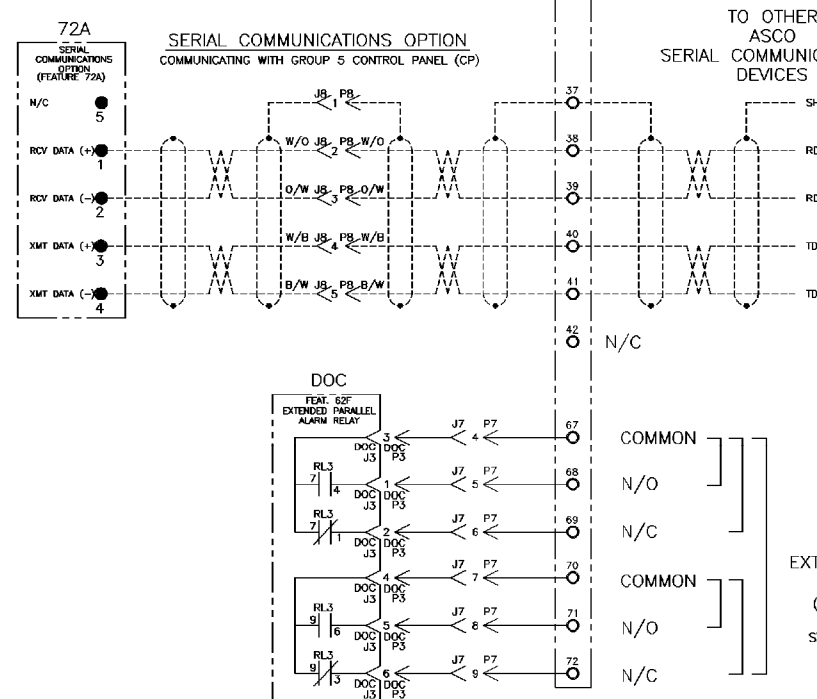
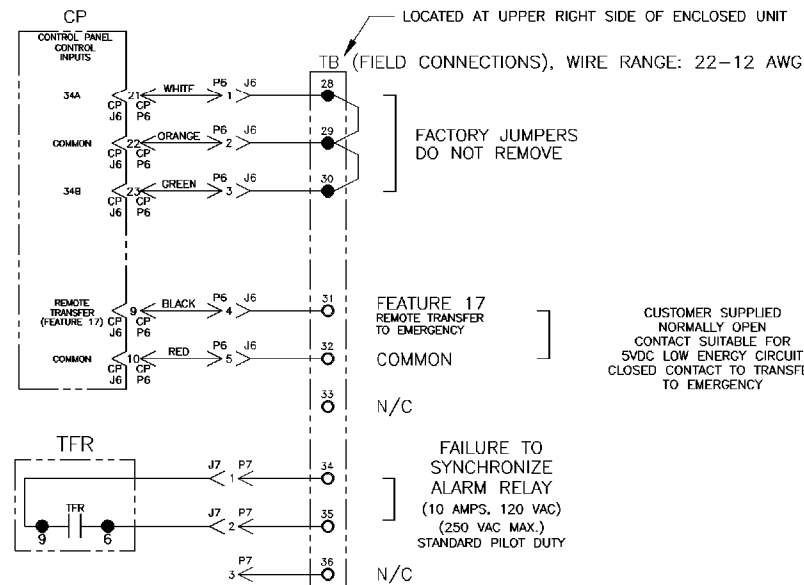
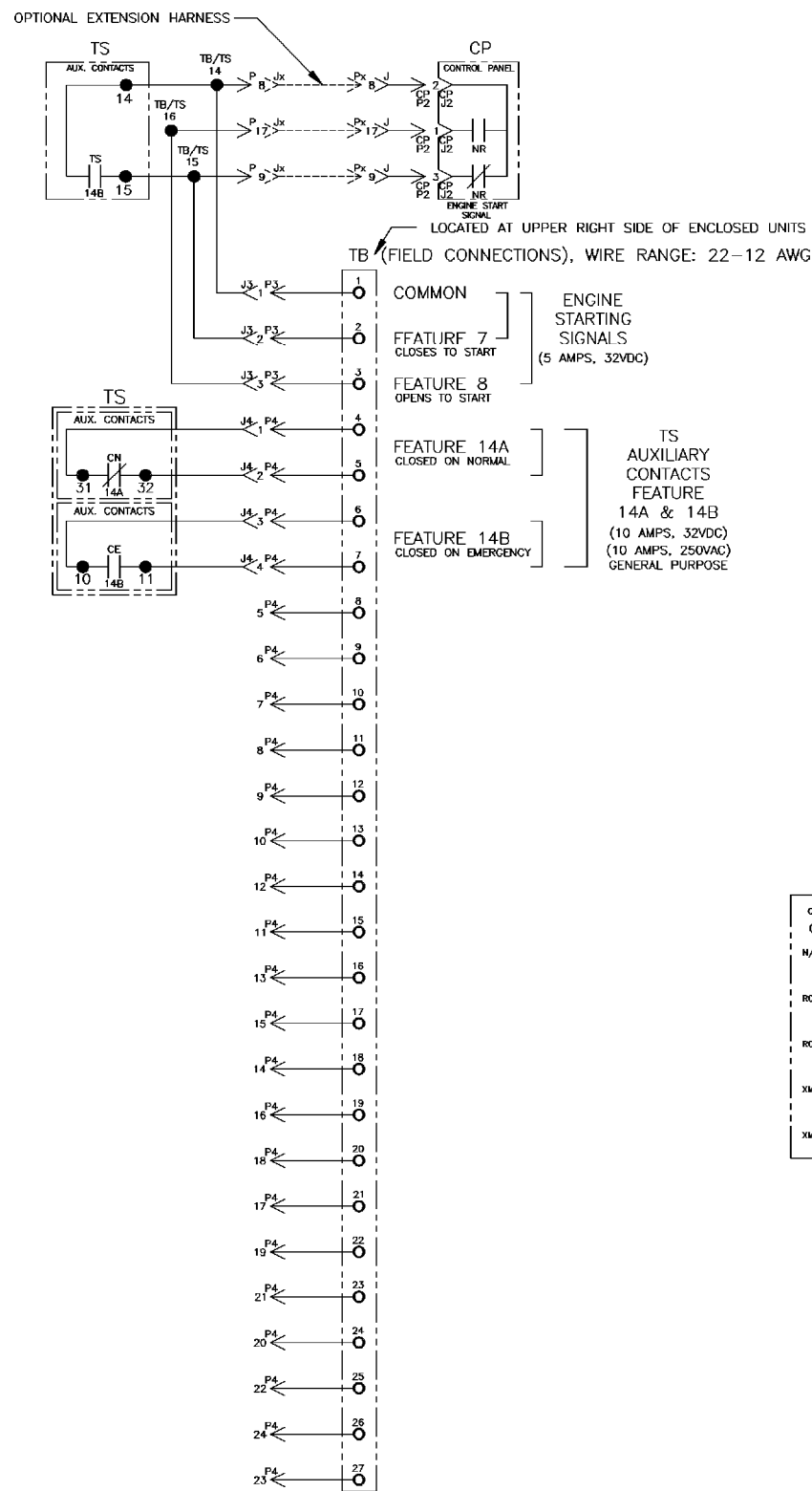


FIELD CONNECTIONS



D	156602	BWM	4/17/01
C	152282	JPB, JPB	7/21/99
B	151661	JPB, JPB	5/10/99
A	149073	YZ, YZ	8/20/98
-	148937	YZ, YZ	7/98
-			ISSUE

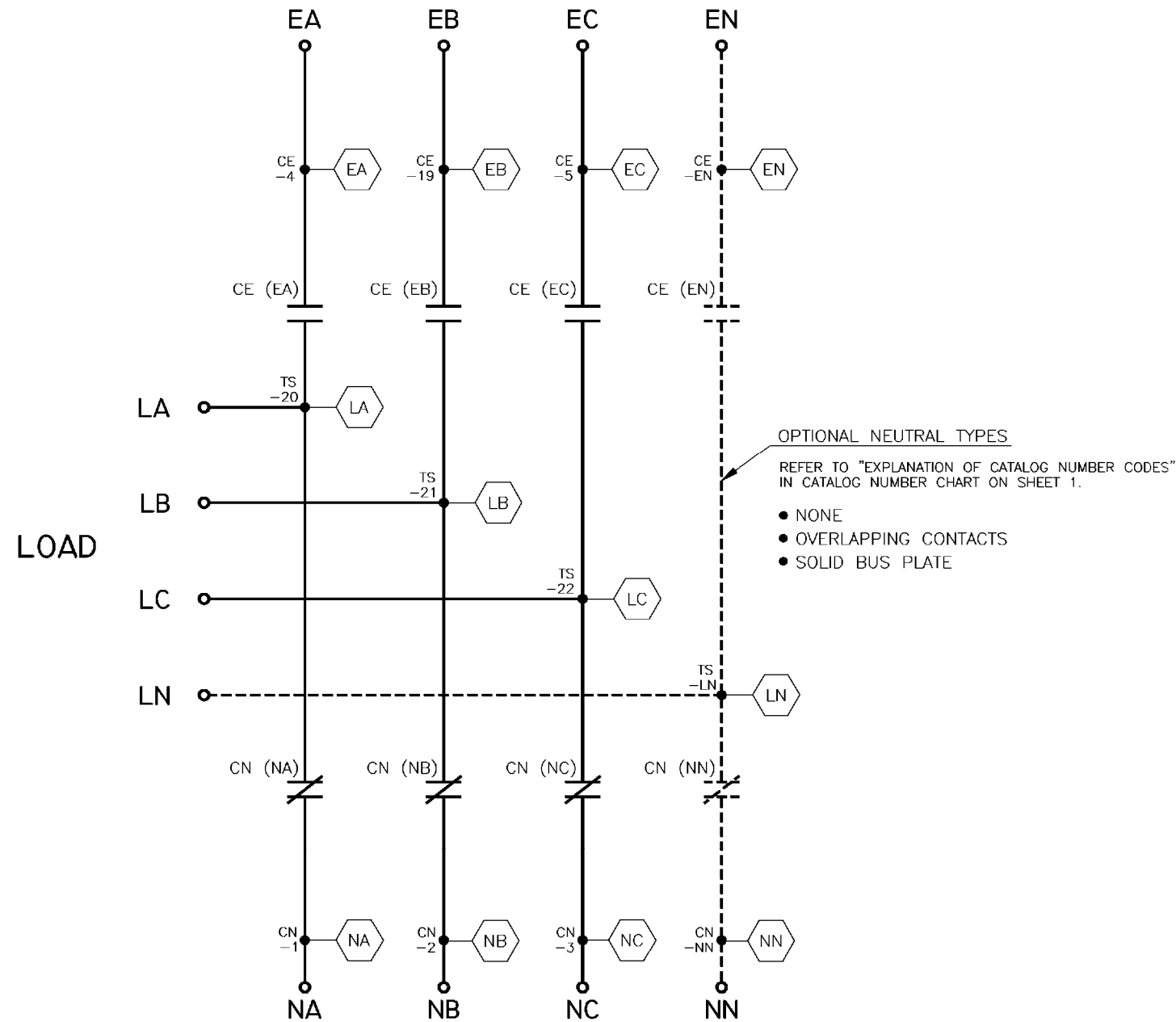
PROJECT NAME:		WIRING DIAGRAM	
7000 SERIES (7ACTS)		GROUP 5 CONTROLS	
BY	DATE	MANUFACTURING TECH FRAMES: TO BE IN ACCORDANCE WITH ASCO PROCEDURE MP-1-003 FOR PLASTIC PARTS SEE MP-1-005	ASSEM. REF. NO.
YZ	7/98	PROPERTY OF ASCO POWER TECHNOLOGIES. USE PERMITTED FOR OUR WORK ONLY. ALL RIGHTS OF DESIGN OR INVENTION ARE RESERVED.	SCALE
CHECKED			ACAD FILE
DRAFTING APPROVAL			DS617411
FINAL APPROVAL	YZ	7/98	ASCO POWER TECHNOLOGIES, L.P. FLORHAM PARK, NEW JERSEY 07802 U.S.A.
CHANGE LETTER	ECN NO.	BY	DATE
D	156602		4/17/01

MAIN POWER POLES

TS OPERATOR CIRCUIT

EMERGENCY

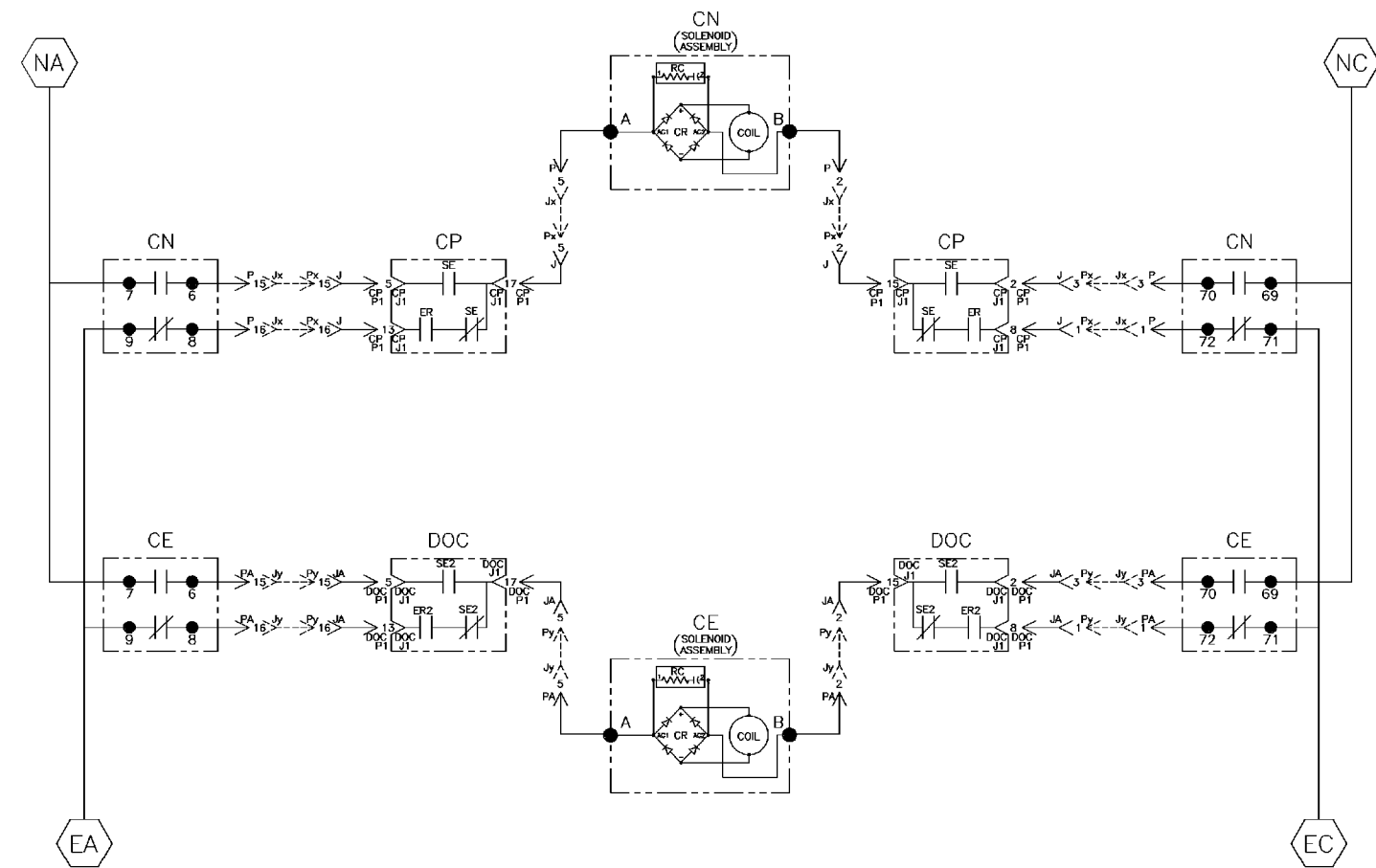
NORMAL



OPTIONAL NEUTRAL TYPES
REFER TO "EXPLANATION OF CATALOG NUMBER CODES" IN CATALOG NUMBER CHART ON SHEET 1.

- NONE
- OVERLAPPING CONTACTS
- SOLID BUS PLATE

NOTE:
ATS SHOWN CLOSED ON NORMAL SOURCE.



EMERGENCY

MUS	CN (MUS) CONTACTS				CE (MUS) CONTACTS			
	CLOSED BEFORE NORMAL	BEFORE TDC >	BEFORE <TDC	OPEN	OPEN	BEFORE TDC >	BEFORE <TDC	CLOSED EMERG.
7-6								
69-70								
8-9								
71-72								

PROJECT NAME:		WIRING DIAGRAM	
DRAWN BY: YZ		DATE: 7/98	
CHECKED:		DATE: 7/98	
DRAFTING APPROVAL:		DATE: 7/98	
FINAL APPROVAL:		DATE: 7/98	
ASCO POWER TECHNOLOGIES, L.P.		FLORHAM PARK, NEW JERSEY 07932 U.S.A.	

CHANGE LETTER	ECN NO.	BY	APP	DATE
D	156602	BWM		4/17/01
C	152282	JPB	JPB	7/21/99
B	151661	JPB	JPB	5/10/99
A	149073	YZ	YZ	8/20/98
-	148937	YZ	YZ	7/98

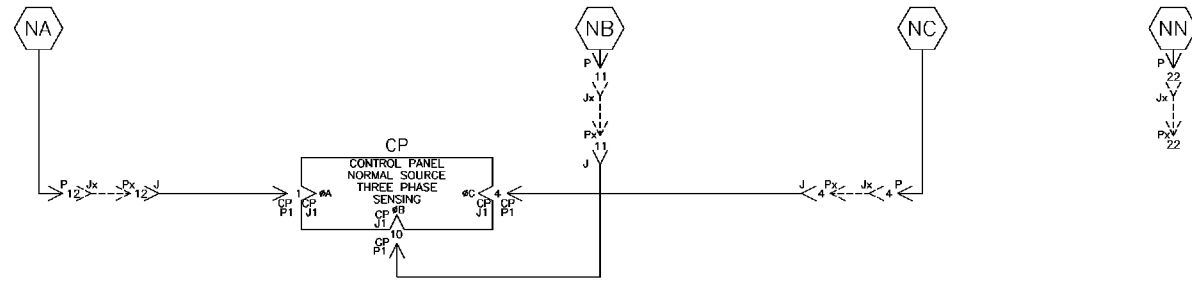
SUBSIDIARY DISTRIBUTION	
AC	AN
CH	AV
AG	AP
AM	AS
AL	AR
AS	AT

SCALE	ACAD	FILE
SIZE	DWG. NO.	DS617411
CHANGE LETTER	ECN NO.	156602
		SHEET 3 OF 6

NORMAL SOURCE CIRCUITS

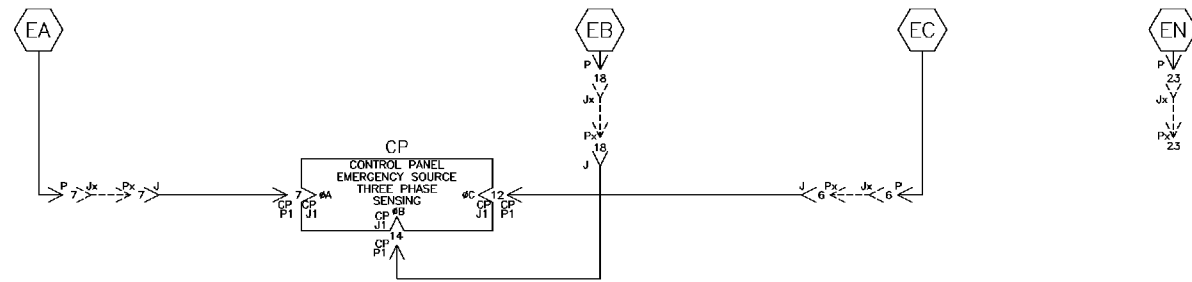
CONTROL SIGNALS & INDICATION

NORMAL



EMERGENCY SOURCE CIRCUITS

EMERGENCY



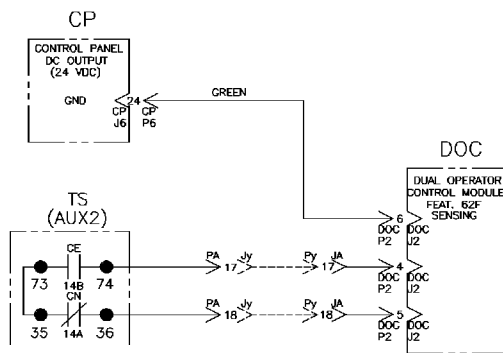
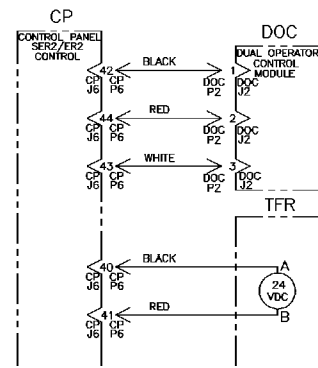
LOAD TERMINAL CIRCUITS

LOAD

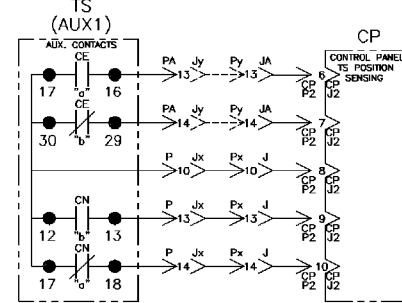


CONTROL SIGNALS & INDICATION

SER2/ER2 CONTROL



TS POSITION SENSING

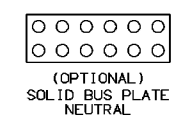
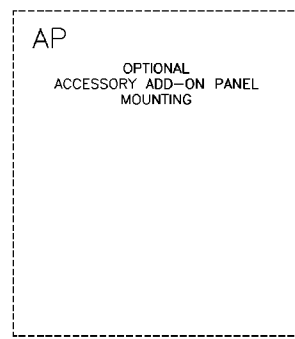
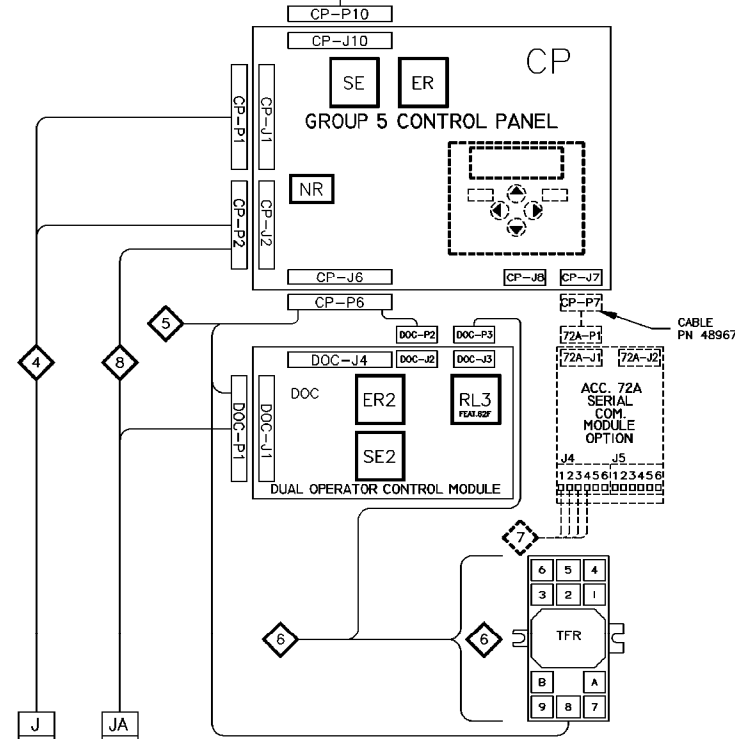
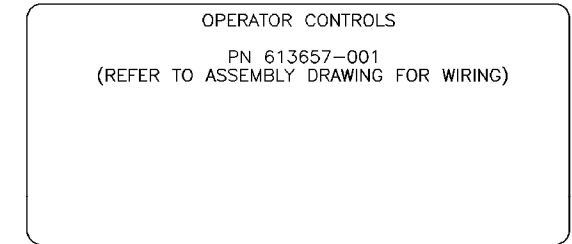
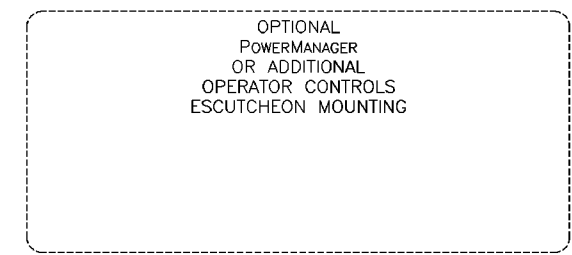
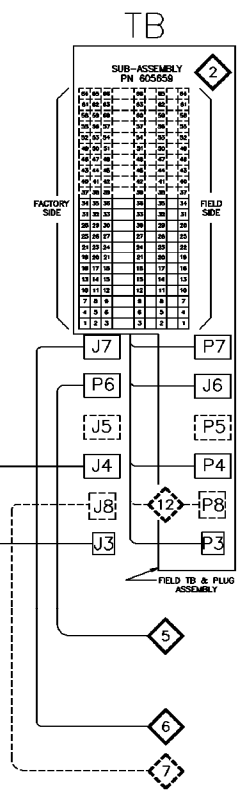
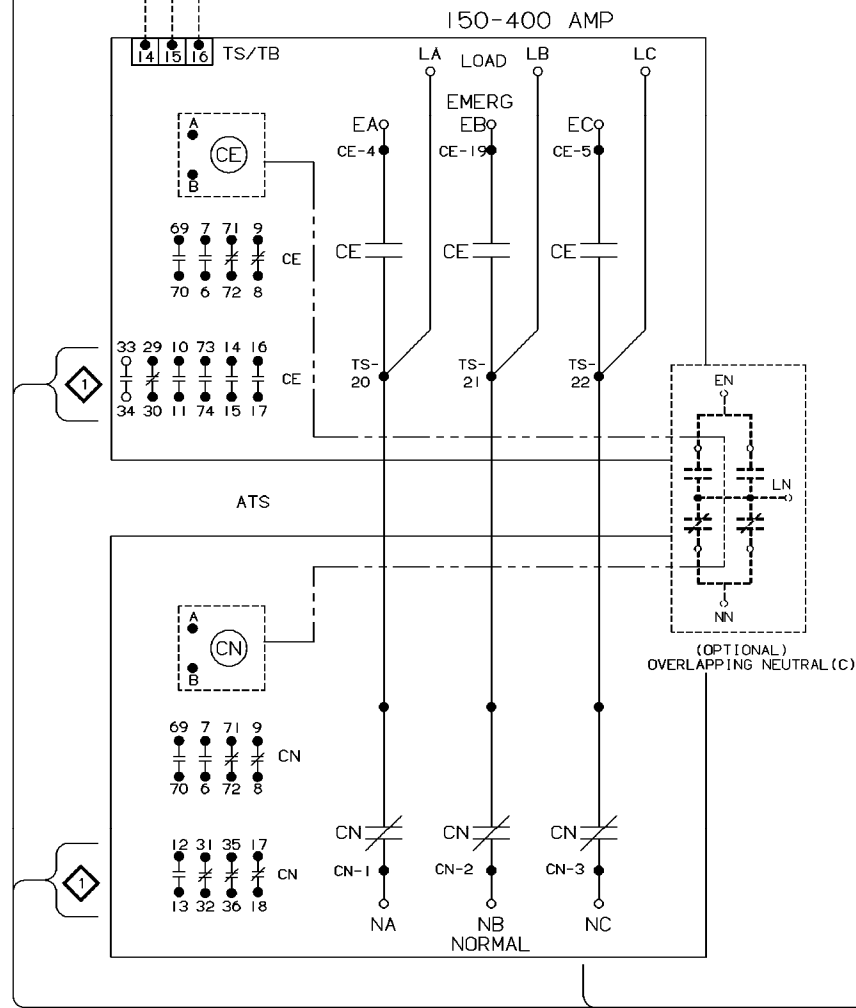


PROJECT NAME:		WIRING DIAGRAM		7000 SERIES (7ACTS) GROUP 5 CONTROLS	
BY	DATE	MANUFACTURING: ITR FRAMES: 10 FR. IN ACCORDANCE WITH ASCO PROCEDURE MP-1-003 FOR PLASTIC PARTS: SEE MP-1-005		ASSEM. REF. NO.	
DRWN BY	YZ	7/98		SCALE	
CHECKED		PROPERTY OF ASCO POWER TECHNOLOGIES. USE PERMITTED FOR OUR WORK ONLY. ALL RIGHTS OF DESIGN OR INVENTION ARE RESERVED.		SIZE DWG. NO.	
DRAWING APPROVAL	YZ	7/98		DS617411	
FINAL APPROVAL		ASCO		ASCO POWER TECHNOLOGIES, L.P. FLORHAM PARK, NEW JERSEY 07932 U.S.A.	
CHANGE LETTER	D	ECH NO.	156602	BY	BWM
		DATE	4/17/01	APP	
SUBSIDIARY DISTRIBUTION		COMPUTER GENERATED DRAWING			
AE	AN	AM	AL	AS	AR
CH	AV	AW	AX	AY	AZ
AC	AP	AD	AE	AF	AG
SCALE		ACAD		FILE	
CHANGE LETTER		ECH NO.		SHEET 4 OF 6	

PHYSICAL DIAGRAM

ENCLOSURE

TOP DOOR (INSIDE)



BONDING STRAP
 PN 098323-019

D	156602	BWM	4/17/01
C	152282	JPB	7/21/99
B	151661	JPB	5/10/99
A	149073	YZ	8/20/98
-	148937	YZ	7/98
-			ISSUE
CHANGE LETTER	ECN NO.	BY	APP. DATE
SUBSIDIARY DISTRIBUTION			
AE	AN	AM	AL
CH	AV	AS	AR
AC	AP	AC	AS
COMPUTER GENERATED DRAWING			
SCALE	ACAD	FILE	
SIZE	DWG. NO.	FILE	
DS617411			
CHANGE LETTER	ECN NO.	156602	SHEET 5 OF 6

PROJECT NAME: WIRING DIAGRAM

7000 SERIES (7ACTS) GROUP 5 CONTROLS

MANUFACTURING TOLERANCES TO BE IN ACCORDANCE WITH AS20 PROCEDURE MP-1-003. FOR PLASTIC PARTS, SEE MP-1-005.

PROPERTY OF ASCO POWER TECHNOLOGIES, USE PERMITTED FOR OUR WORK ONLY. ALL RIGHTS OF DESIGN OR INVENTION ARE RESERVED.

ASCO POWER TECHNOLOGIES, L.P. FLORHAM PARK, NEW JERSEY 07932 U.S.A.

DATE: 7/98

BY: YZ

CHECKED: YZ

DRAWING APPROVAL: YZ

FINAL APPROVAL: YZ

THIRD ANGLE PROJECTION

ASSEMB. REF. NO.

SCALE

FILE

WIRE RUN LISTING

HARNESS LOCATOR		BOX CHECKED IF HARNESS IS MOVED	CLR	AWG
WIRE No.	HARNESS 619510-D12 (P,PA,J4) MAIN TS	<input type="checkbox"/>		16
1	P-1,CN-72			
2	P-2,CN-B			
3	P-3,CN-70			
4	P-4,CN-3			
4	CN-3,CN-69			
4	CN-69,CE-69			
5	P-5,CN-A			
6	P-6,CE-5			
6	CE-5,CE-71			
6	CE-71,CN-71			
7	P-7,CE-4			
7	CE-4,CE-9			
7	CE-9,CN-9			
8	P-8,TS/TB-14			
8	TS/TB-14,CE-14			
9	P-9,TS/TB-15			
9	TS/TB-15,CE-15			
10	P-10,CN-12			
10	CN-12,CN-17			
10	CN-17,CE-30			
10	CE-30,CE-17			
11	P-11,CN-2			
12	P-12,CN-1			
12	CN-1,CN-7			
12	CN-7,CE-7			
13	P-13,CN-13			
14	P-14,CN-18			
15	P-15,CN-6			
16	P-16,CN-8			
17	P-17,TS/TB-16			
18	P-18,CE-19			
19	P-19,TS-20			
20	P-20,TS-21			
21	P-21,TS-22			
22	P-22,CN-NN			
23	P-23,CE-EN			
24	P-24,TS-LN			
31	PA-1,CE-72			
32	PA-2,CE-B			
33	PA-3,CE-70			
35	PA-5,CE-A			
43	PA-13,CE-16			
44	PA-14,CE-29			
45	PA-15,CE-6			
46	PA-16,CE-8			
47	PA-17,CE-74			
48	PA-18,CN-36			
61	J4-1,CN-31			
62	J4-2,CN-32			
63	J4-3,CE-10			
64	J4-4,CE-11			
250	CN-35,CE-73			
8	J3-1,TS/TB-14			
9	J3-2,TS/TB-15			
17	J3-3,TS/TB-16			
ADD WIRES				
25	J3-4			
65	J4-5			
66	J4-6			
67	J4-7			
68	J4-8			
69	J4-9			
70	J4-10			
71	J4-11			
72	J4-12			
73	J4-13			
74	J4-14			
75	J4-15			
76	J4-16			
77	J4-17			
78	J4-18			
79	J4-19			
80	J4-20			
81	J4-21			
82	J4-22			
83	J4-23			
84	J4-24			
34	PA-4			
36	PA-6			
37	PA-7			
38	PA-8			
39	PA-9			
40	PA-10			
41	PA-11			
42	PA-12			
49	PA-19			
50	PA-20			
51	PA-21			
52	PA-22			
53	PA-23			
54	PA-24			

HARNESS LOCATOR		BOX CHECKED IF HARNESS IS MOVED	CLR	AWG
WIRE No.	SUB-ASSEMBLY 605659 (P3,P4,J6,P7,TB) STD. FIELD TB	<input checked="" type="checkbox"/>		16
8	TB-1,P3-1			
9	TB-2,P3-2			
17	TB-3,P3-3			
61	TB-4,P4-1			
62	TB-5,P4-2			
63	TB-6,P4-3			
64	TB-7,P4-4			
65	TB-8,P4-5			
66	TB-9,P4-6			
67	TB-10,P4-7			
68	TB-11,P4-8			
69	TB-12,P4-9			
70	TB-13,P4-10			
72	TB-14,P4-12			
71	TB-15,P4-11			
73	TB-16,P4-13			
75	TB-17,P4-15			
74	TB-18,P4-14			
76	TB-19,P4-16			
78	TB-20,P4-18			
77	TB-21,P4-17			
79	TB-22,P4-19			
81	TB-23,P4-21			
80	TB-24,P4-20			
82	TB-25,P4-22			
84	TB-26,P4-24			
83	TB-27,P4-23			
121	TB-28,J6-1			
122	TB-29,J6-2			
123	TB-30,J6-3			
124	TB-31,J6-4			
125	TB-32,J6-5			
151	TB-34,P7-1			
152	TB-35,P7-2			
153	TB-36,P7-3			
JUMPERS				
	TB-28,TB-29			
	TB-29,TB-30			
ADD WIRES				
25	P3-4			
126	J6-6			
127	J6-7			
128	J6-8			
129	J6-9			
130	J6-10			
131	J6-11			
132	J6-12			
133	J6-13			
134	J6-14			
135	J6-15			
136	J6-16			
137	J6-17			
138	J6-18			
139	J6-19			
140	J6-20			
141	J6-21			
142	J6-22			
143	J6-23			
144	J6-24			
154	P7-4,TB-67			
155	P7-5,TB-68			
156	P7-6,TB-69			
157	P7-7,TB-70			
158	P7-8,TB-71			
159	P7-9,TB-72			
160	P7-10			
161	P7-11			
162	P7-12			
163	P7-13			
164	P7-14			
165	P7-15			
166	P7-16			
167	P7-17			
168	P7-18			
169	P7-19			
170	P7-20			
171	P7-21			
172	P7-22			
173	P7-23			
174	P7-24			

HARNESS LOCATOR		BOX CHECKED IF HARNESS IS MOVED	CLR	AWG
WIRE No.	HARNESS 483763 (J,CP-P1,CP-P2) CONTROL PANEL	<input type="checkbox"/>		16
1	J-1,CP-P1-8			
2	J-2,CP-P1-15			
3	J-3,CP-P1-2			
4	J-4,CP-P1-4			
5	J-5,CP-P1-17			
6	J-6,CP-P1-12			
7	J-7,CP-P1-7			
8	J-8,CP-P2-2			
9	J-9,CP-P2-3			
10	J-10,CP-P2-8			
11	J-11,CP-P1-10			
12	J-12,CP-P1-1			
13	J-13,CP-P2-9			
14	J-14,CP-P2-10			
15	J-15,CP-P1-5			
16	J-16,CP-P1-13			
17	J-17,CP-P2-1			
18	J-18,CP-P1-14			
ADD WIRES				
19	J-19			
20	J-20			
21	J-21			
22	J-22			
23	J-23			
24	J-24			

HARNESS LOCATOR		BOX CHECKED IF HARNESS IS MOVED	CLR	AWG
WIRE No.	HARNESS 619510-005 (P6) FIELD INPUTS	<input checked="" type="checkbox"/>		22 (2 COND)
121	P6-1,CP-P6-21		WHT	
122	P6-2,CP-P6-22		ORG	
123	P6-3,CP-P6-23		GRN	
124	P6-4,CP-P6-9		BLK	
125	P6-5,CP-P6-10		RED	
ADD WIRES				
126	P6-6			
127	P6-7			
128	P6-8			
129	P6-9			
130	P6-10			
131	P6-11			
132	P6-12			
133	P6-13			
134	P6-14			
135	P6-15			
136	P6-16			
137	P6-17			
138	P6-18			
139	P6-19			
140	P6-20			
141	P6-21			
142	P6-22			
143	P6-23			
144	P6-24			
252	CP-P6-40,IFR-A		BLK	22
253	CP-P6-41,IFR-B		RED	(2 COND)
254	CP-P6-42,DOC-P2-1		BLK	22
255	CP-P6-43,DOC-P2-3		WHT	(4 COND)
256	CP-P6-44,DOC-P2-2		RED	
257	CP-P6-24,DOC-P2-6		GRN	

HARNESS LOCATOR		BOX CHECKED IF HARNESS IS MOVED	CLR	AWG
WIRE No.	HARNESS (J7) FIELD OUTPUTS	<input checked="" type="checkbox"/>		16
151	J7-1,IFR-9			
152	J7-2,IFR-6			
153	J7-3			
154	J7-4,DOC-P3-3			
155	J7-5,DOC-P3-1			
156	J7-6,DOC-P3-2			
157	J7-7,DOC-P3-4			
158	J7-8,DOC-P3-5			
159	J7-9,DOC-P3-6			
160	J7-10			
161	J7-11			
162	J7-12			
163	J7-13			
164	J7-14			
165	J7-15			
166	J7-16			
167	J7-17			
168	J7-18			
169	J7-19			
170	J7-20			
171	J7-21			
172	J7-22			
173	J7-23			
174	J7-24			

HARNESS LOCATOR		BOX CHECKED IF HARNESS IS MOVED	CLR	AWG
WIRE No.	HARNESS 605454-005 (J8) OPTIONAL SERIAL I/O	<input type="checkbox"/>		22
181	J8-1,72A-5		SHLD	(4 COND)
182	J8-2,72A-1		WHT/ORG	
183	J8-3,72A-2		ORG/WHT	
184	J8-4,72A-3		WHT/BLU	
185	J8-5,72A-4		BLU/WHT	
186	J8-6			
187	J8-7			
188	J8-8			
189	J8-9			

HARNESS LOCATOR		BOX CHECKED IF HARNESS IS MOVED	CLR	AWG
WIRE No.	HARNESS 619385 (JA,DOC,CP-P2) CONTROL MODULE	<input checked="" type="checkbox"/>		16
31	JA-1,DOC-P1-8			
32	JA-2,DOC-P1-15			
33	JA-3,DOC-P1-2			
35	JA-5,DOC-P1-17			
43	JA-13,CP-P2-6		PIN	
44	JA-14,CP-P2-7		PIN	
45	JA-15,DOC-P1-5			
46	JA-16,DOC-P1-13			
ADD WIRES				
34	JA-4			
36	JA-6			
37	JA-7			
38	JA-8			
39	JA-9			
40	JA-10			
41	JA-11			
42	JA-12			
47	JA-17,DOC-P2-4			
48	JA-18,DOC-P2-5			
49	JA-19			
50	JA-20			
51	JA-21			
52	JA-22			
53	JA-23			
54	JA-24			

HARNESS LOCATOR		BOX CHECKED IF HARNESS IS MOVED	CLR	AWG
WIRE No.	HARNESS 309320-005 OPTIONAL 8" EXTENSION HARNESS	<input type="checkbox"/>		16
1	Jx-1,Px-1			
2	Jx-2,Px-2			
3	Jx-3,Px-3			
4	Jx-4,Px-4			
5	Jx-5,Px-5			
6	Jx-6,Px-6			
7	Jx-7,Px-7			
8	Jx-8,Px-8			
9	Jx-9,Px-9			
10	Jx-10,Px-10			
11	Jx-11,Px-11			
12	Jx-12,Px-12			
13	Jx-13,Px-13			
14	Jx-14,Px-14			
15	Jx-15,Px-15			
16	Jx-16,Px-16			
17	Jx-17,Px-17			
18	Jx-18,Px-18			
19	Jx-19,Px-19			
20	Jx-20,Px-20			
21	Jx-21,Px-21			
22	Jx-22,Px-22			
23	Jx-23,Px-23			
24	Jx-24,Px-24			