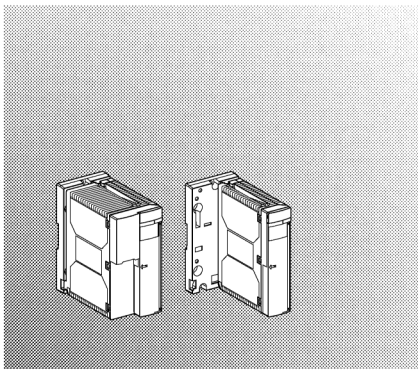


# TSX SUP 1011/A02

Process Power Supplies  
Stromversorgungen  
Alimentations Process  
Alimentaciones  
Alimentazioni di processo

Quick Reference Guide  
Kurzanleitung  
Instruction de service  
Guía de referencias rápidas  
Guida di riferimento rapido

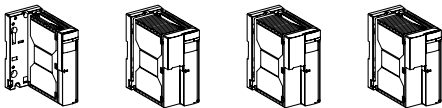


**GROUPE SCHNEIDER**

■ Merlin Gerin ■ Modicon ■ Square D ■ Telemecanique

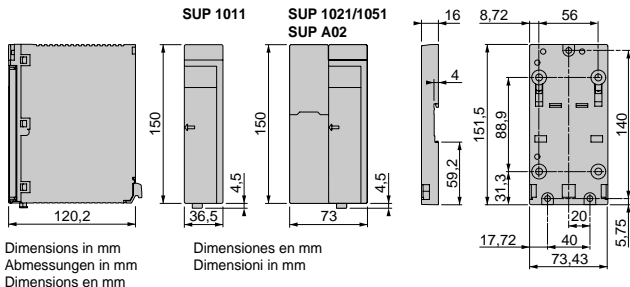


## Catalog/Katalog/Catalogue/Catálogo/Catalogo



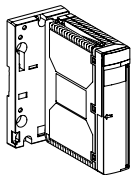
<b>Un (IN)</b>	100...240 VAC	100...120/200...240 VAC		
<b>Un / In (OUT)</b>	24 VDC/1,1 A	24 VDC/2,2 A	24 VDC/5 A	30VDC AS-i/2,4A
<b>References</b>	<b>TSX SUP 1011</b>	<b>TSX SUP 1021</b>	<b>TSX SUP 1051</b>	<b>TSX SUP A02</b>

## Dimensions/Abmessungen/Dimensions/Dimensiones/Dimensioni

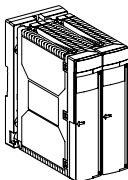


## Mounting/Montage/Montaje/Montaggio

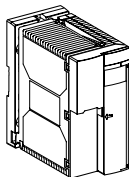
1 TSX SUP 1011

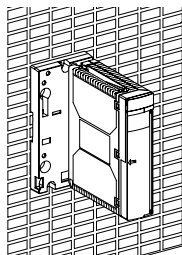
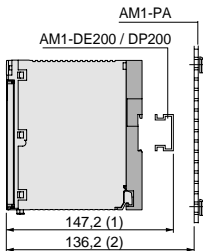
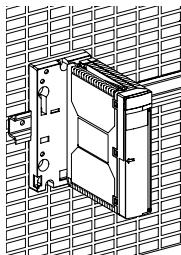


2 TSX SUP 1011



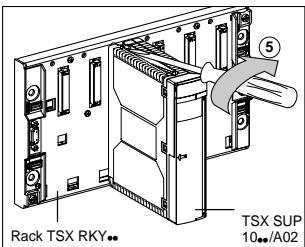
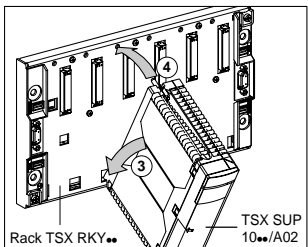
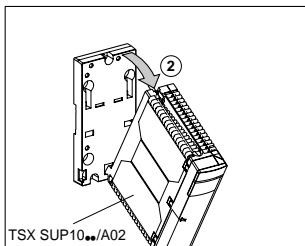
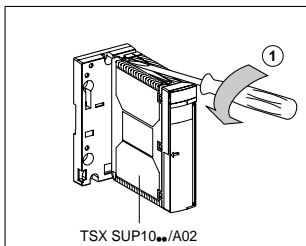
1 TSX SUP 1021/1051/A02



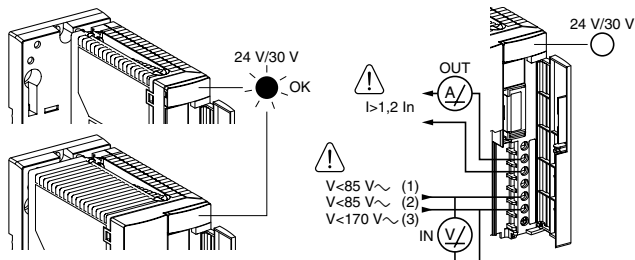


(1) 147,2 mm (AM1-DE200)  
139,7 mm (AM1-DP200)

(2) 136,2 mm (AM1-PA)

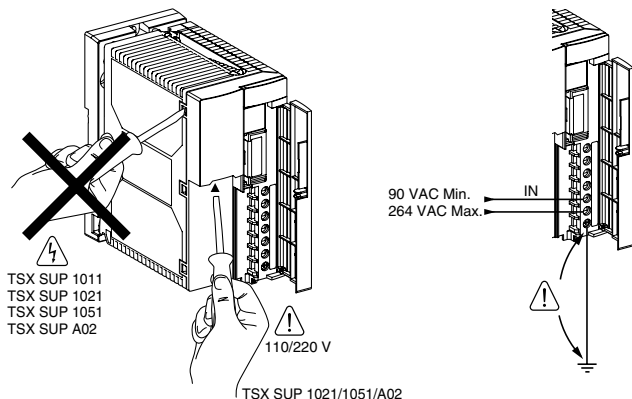


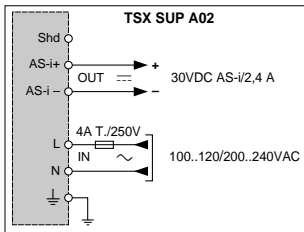
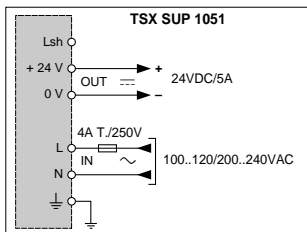
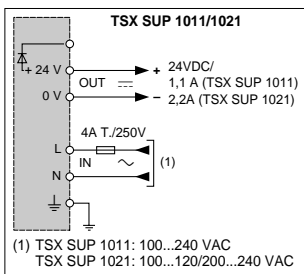
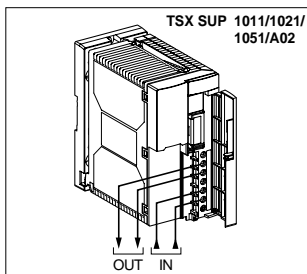
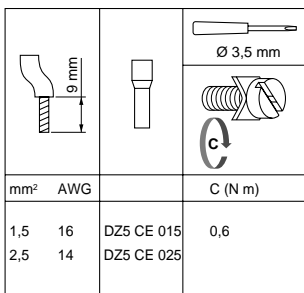
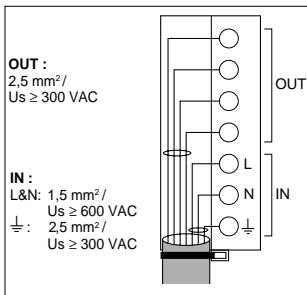
## Display/Anzeige/Visualisation/Visualización/Visualizzazione

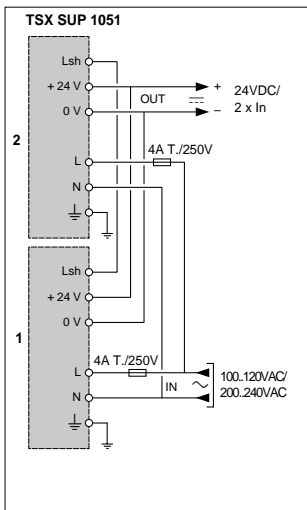
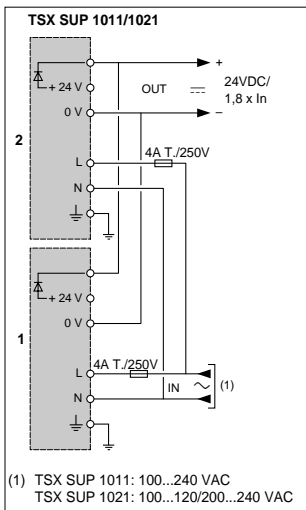
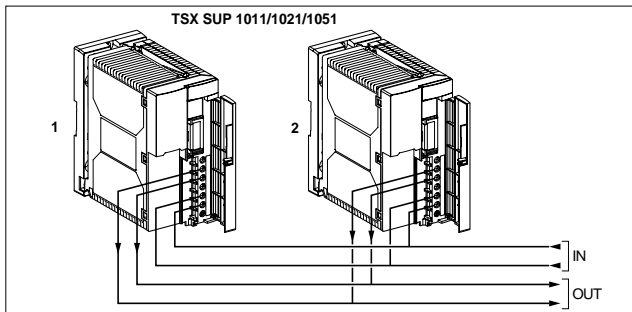


- (1) TSX SUP 1011
- (2) TSX SUP 1021/1051/A02 (110V)
- (3) TSX SUP 1021/1051/A02 (220V)

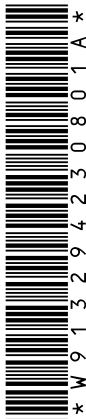
## Recommandations/Vorsichtsmaßnahmen/Précautions/Precauciones/Precauzioni



**Connections/Anschlüsse/Raccordements/Conexiones/Conessioni**




02



W913294230801A 02

**Schneider Automation Inc.**

One High Street  
North Andover, MA 01845  
Tel.: (1) 508 794 0800 - Fax: (1) 508 975 9010

**Schneider Automation S.A.**

245, route des Lucioles - BP 147  
F-06903 Sophia Antipolis  
Tel.: (33) (0)4 92 96 20 00 - Fax: (33) (0)4 93 65 37  
15

**Schneider Automation GmbH**

Steinheimer Straße 117  
D-63500 Seligenstadt  
Tel.: (49) 6182 81 2584 - Fax: (49) 6182 81 2860