

IBM PC-PS/2 ↔ TSX 27, TSX - PMX 47/67/87/107 PLC connector kit

Function:

The TSX TAC 03 connector kit (RS 232 C ↔ current loop data link) ensures the electrical interface between an IBM PC/PS microcomputer and a TSX 7 PLC.

Hardware Components

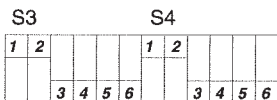
The kit comprises :

- an RS 232 C/CL converter: TSX TE 01,
- a converter ↔ PLC connection cable : TSX CTC 00,
- a converter ↔ microcomputer connection cable: TSX CTC 01 (fitted with a 9-pin connector at one end and a 25-pin connector at the other end),
- a converter ↔ microcomputer connection cable: TSX CTC 02 (fitted with 25-pin connectors at both ends),
- a mains power cord.

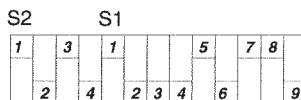
Checking the Converter Configuration:

The RS 232 C/CL converter is factory set, however the position of the dip-switches should be checked before use:

- Open the converter case : to do this, insert a screwdriver blade in the slots, on the side of the converter and lever the case open,
- Check the position of the dip-switches, they should be set as shown below,
- Select the converter mains voltage: switch S5 (not shown in below) should be set to 115 or 230 Volts, as appropriate.



The open unit seen from above



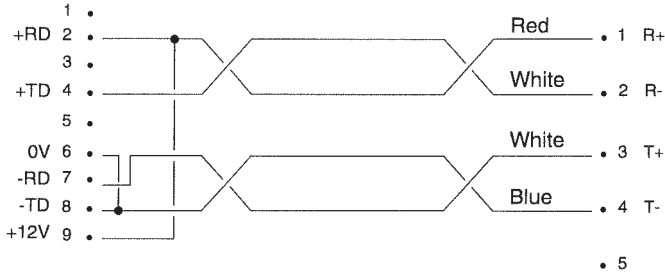
Caution :

It is essential that the converter configuration shown opposite be used to avoid serious damage to the converter.

Connection

- **PLC programming port ↔ Converter: TSX CTC 00 cable**

Use the TSX CTC 00 cable, following the wiring schematic below.

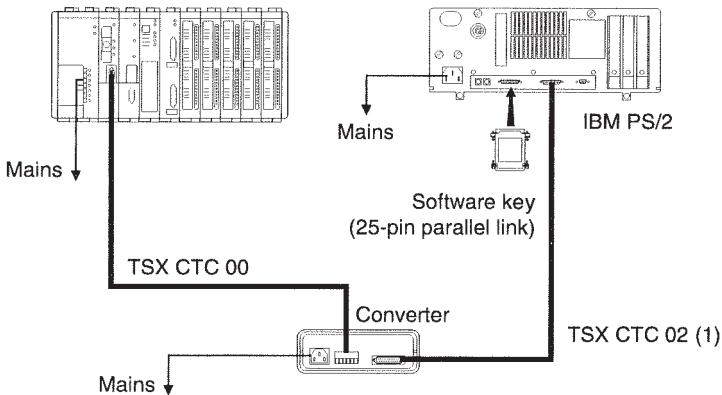


PLC terminal port
9-pin connector

5 screw terminal block
"LINE CONNECTION"
on the converter

- **Converter ↔ Microcomputer**

This connection uses the TSX CTC 01 or TSX CTC 02 cable, connecting the 9-pin or 25-pin "serial port" on the microcomputer to the 25-pin "V24/RS0232C CONNECTION" on the converter.



(1) Use the 9/25 pin cable (TSX CTC 01) or 25/25 pin cable (TSX CTC 02) depending on the type of serial port converter on the microcomputer.

Operating Characteristics

3 front panel LEDs	Power, TD (transmission), RD (reception)
Power consumption	5VA max. on 230V
Fuse	250V / 100mA
Dimensions	161x139x53mm
Weight	0,5Kg