



ALTISTART[®] 46 Controller Keypad Installation

To install the ALTISTART 46 (ATS46) Controller Keypad, refer to Figure 1.

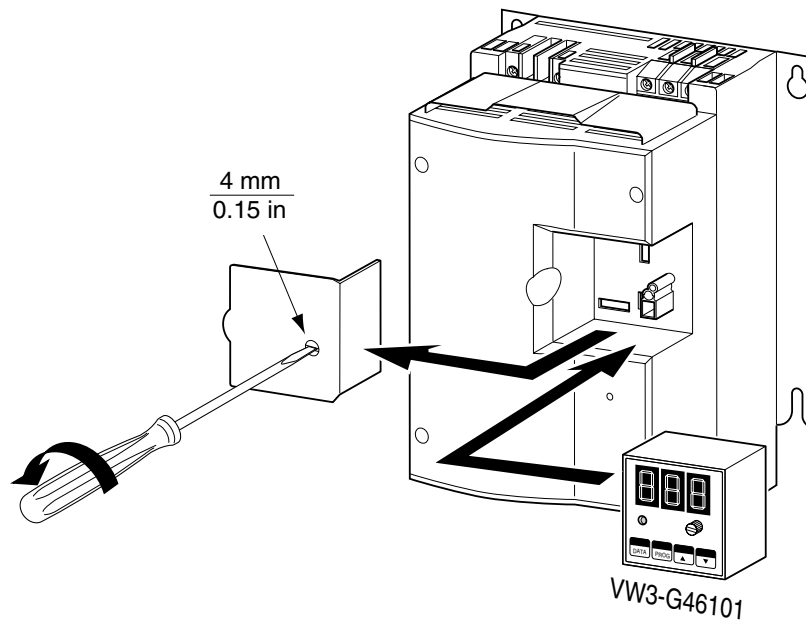


Figure 1: Keypad Installation

For instructions on operating the ATS46 Controller Keypad, refer to the “ALTISTART 46 Soft Start Controller User’s Manual” (Instruction Bulletin VD0C32S301).

ALTISTART is a registered trademark of Telemecanique S.A. or its successor-in-interest, Schneider Electric S.A.

Electrical equipment should be serviced only by qualified electrical maintenance personnel. No responsibility is assumed by Schneider S.A. for any consequences arising out of the use of this material.



GROUPE SCHNEIDER
■ Merlin Gerin ■ Square D ■ Telemecanique