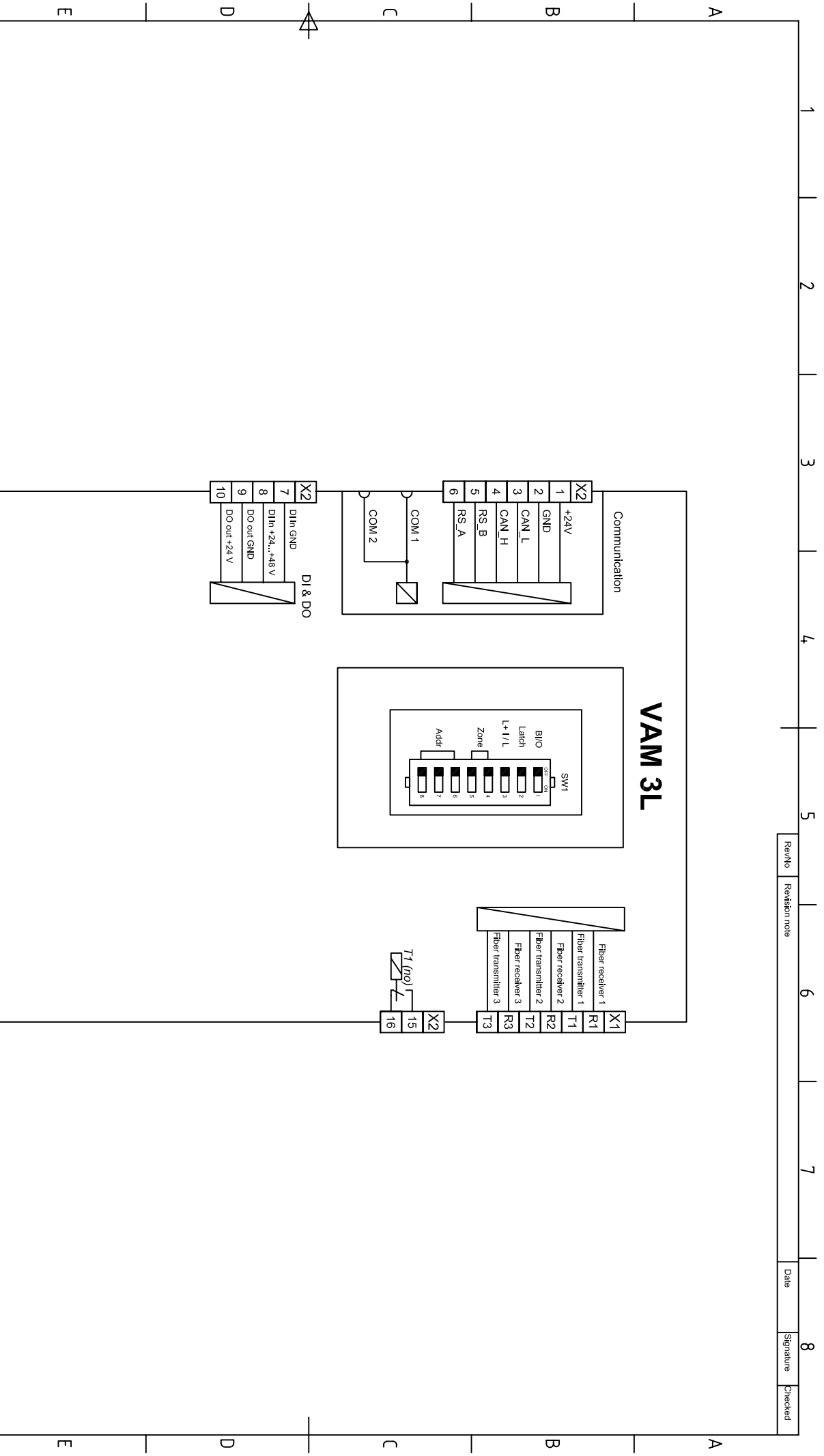
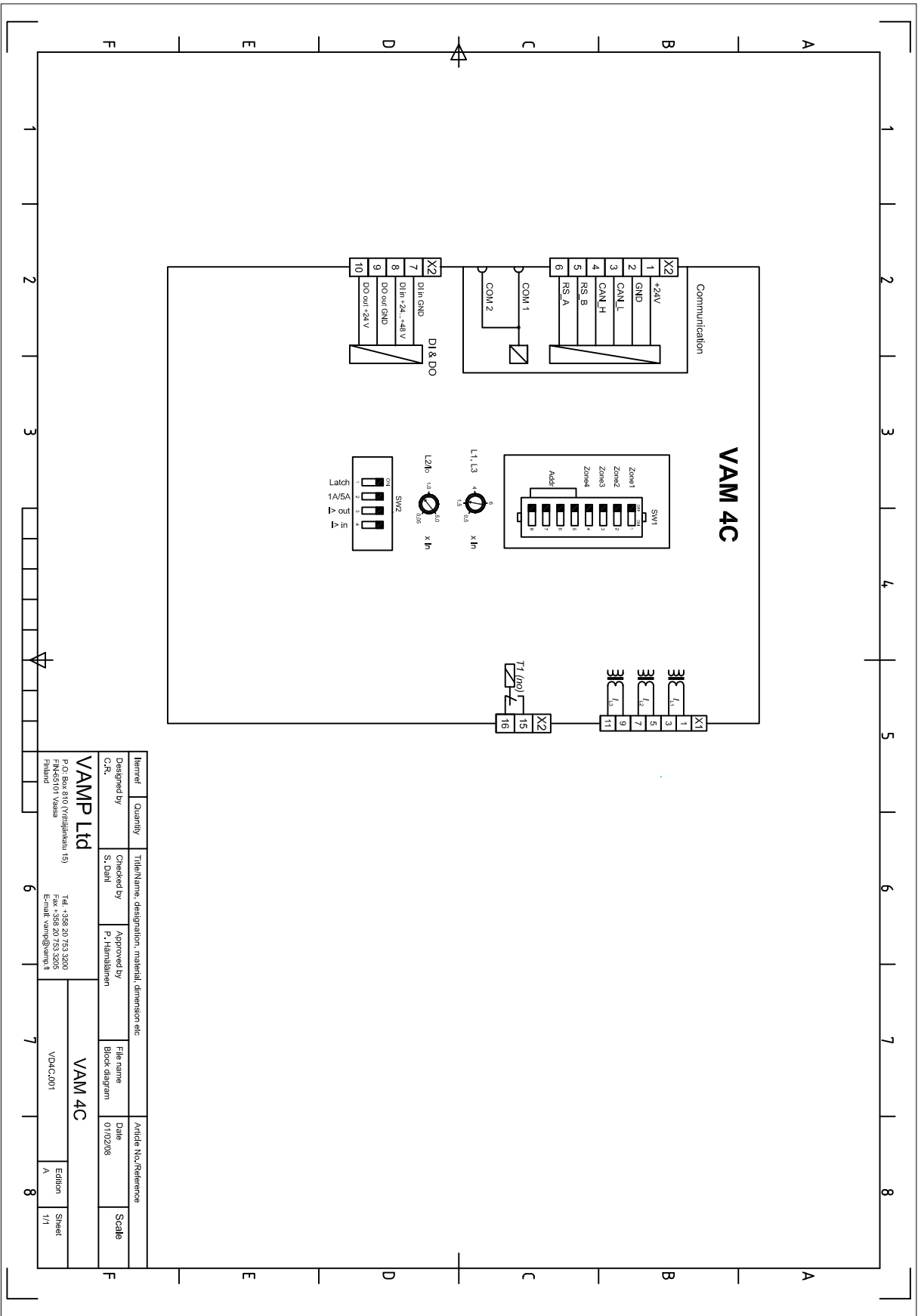


Revlo	Revision note	Date	Signature	Checked
-------	---------------	------	-----------	---------



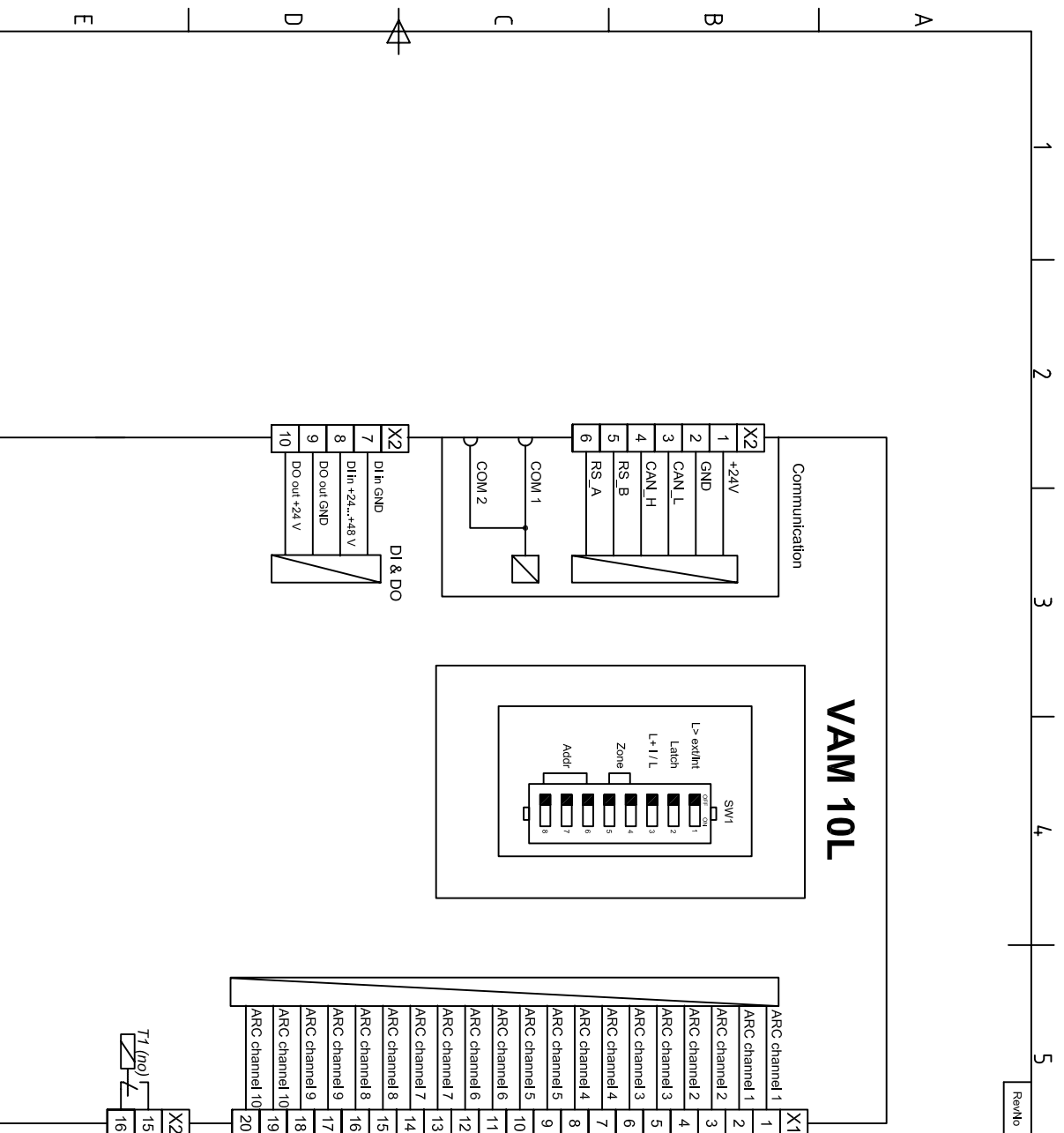
Kemeri	Quantity	Title/Name, designation, material, dimension etc		Article No./Reference
Designed by	S. Dahl	Checked by	P. Hänniläinen	Approved by
C.R.				

VAMP Ltd.		VAM 3L	
P.O. Box 810 (Yrittäjänkatu 15) FIN-05101 Vaasa Finland		Tä. +358 20 753 3200 Fak +358 20 753 3205 e-mail: vamp@vamp.fi	
VD31.001		Edition A	
Scale 1:1		Sheet 1/1	



Item nr	Quantity	Title/Name, designation, material, dimension etc	Article No./Reference
Designed by C.R.	Checked by S. Dahl	Approved by P. Hämäläinen	File name Block diagram Date 01/02/08
VAMP Ltd		VAM 4C	
P.O. Box 810 (Virtajännekuu 15) FIN-01501 Vammala Finland		Tel. +358 20 753 5200 Fax. +358 20 753 5205 E-mail: vammg@vamp.fi	
		VDA/C/001	Edition A
			Sheet 1/1

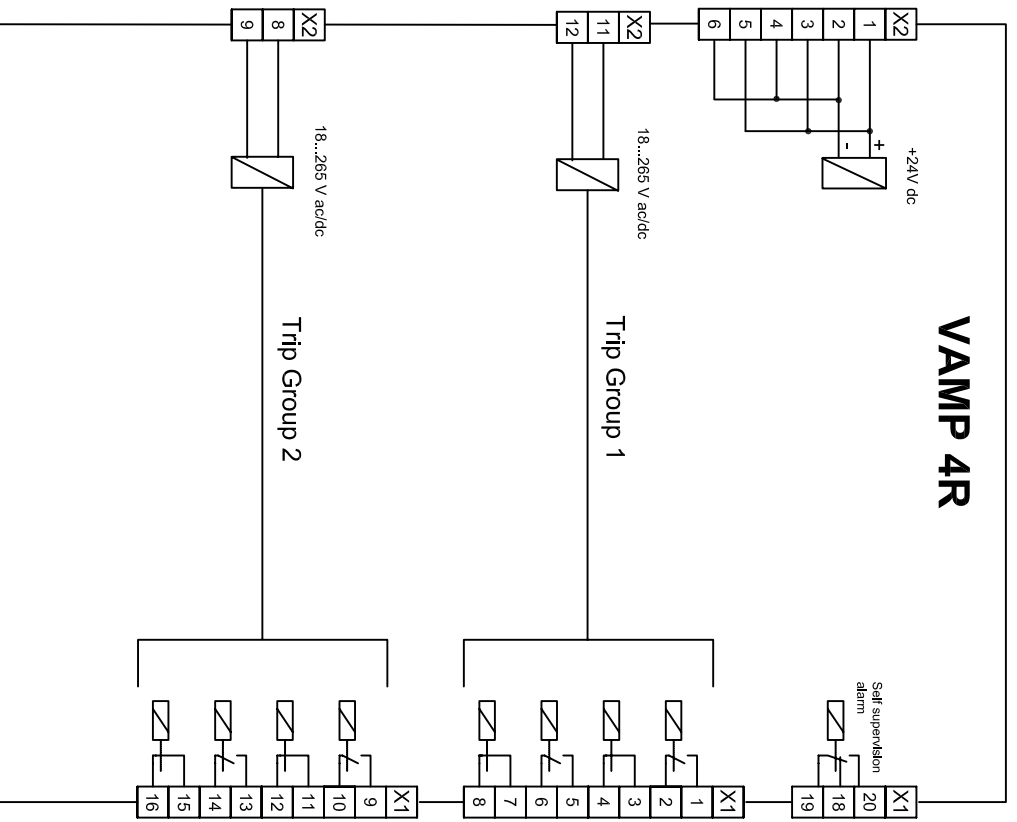
Revitio	Revisiön note	Date	Signature	Checked
---------	---------------	------	-----------	---------



Kemmeri	Quantity	Title/Name, designation, material, dimension etc	Article No./Reference
Designed by C.R.		Checked by S. Dahl	Approved by P. Hämmäläinen
		File name Block diagram	Date 07/12/06
		Scale 1:1	

VAMP Ltd.		VAM 10L	
P.O. Box 810 (Yhteiskatu 15) FIN-45101 Vaasa		Tel. +358 20 753 3200 Fax +358 20 753 3205 e-mail: vampp@vamp.fi	
		VD10L001	Edition A
			Sheet 1/1

RevNo	Revision note	Date	Signature	Checked
-------	---------------	------	-----------	---------



Itemref	Quantity	Title/Name, designation, material, dimension etc.	Article No./Reference
Designed by		Checked by	File name
C.R.		S. Dahl	Block diagram
		Approved by	Date
		P. Hämäläinen	11/12/06
Scale			1:1

VAMP Ltd.		VAMP 4R	
P.O. Box 810 (Yrlietäntiekatu 15) FIN-55101 Vaasa Finland		Tel. +358 20 753 3200 Fax +358 20 753 3205 e-mail: vampf@vampf.fi	
VDAR-001		Edition B	
		Sheet 1/1	