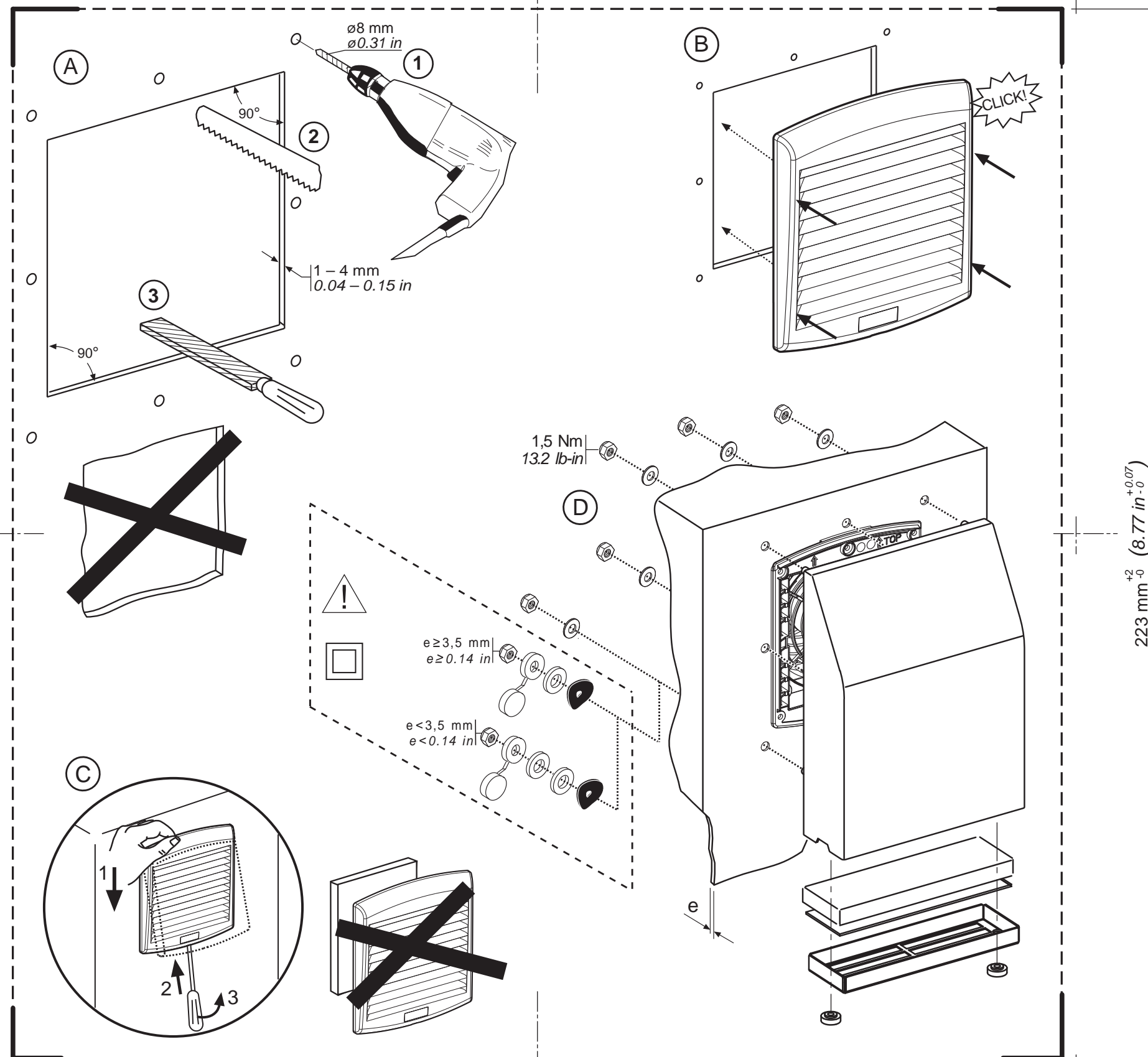


ø8 mm
ø0.31 in

223 mm⁺²₋₀ (8.77 in^{+0.07}₋₀)



7364980011