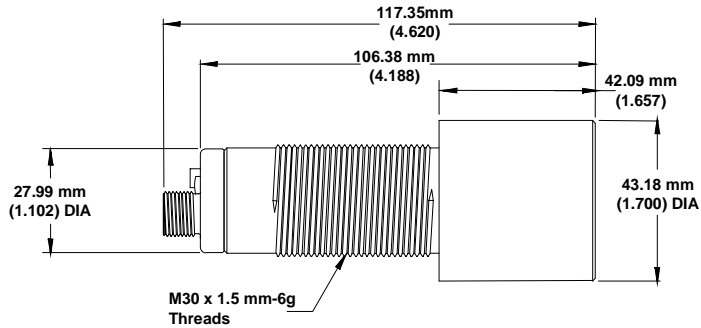


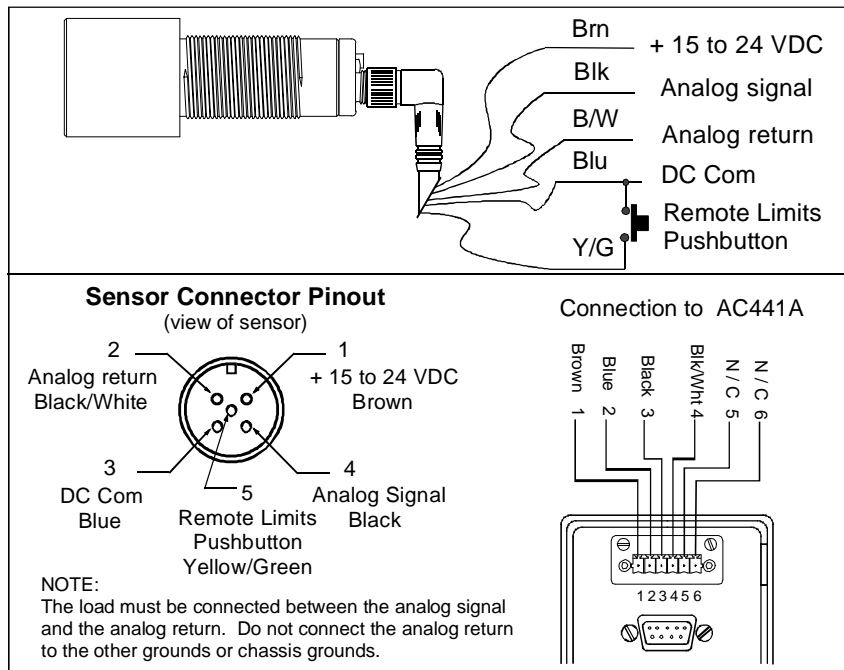
Mounting and Wiring

Mount the sensor firmly so that the object to be detected is never within 304.8 mm (12.00 inches) of the face of the sensor. For best results the sensor face should be parallel to the object surface. Also, the sensor should be away from air currents.

Dimensions



Wiring Connections



Accessories

- Model XXZPB101 Remote Teach Accessory
- Model XZCPV1164L2 Straight connector, 5-conductor, PVC, 2 m (6.6 ft.)
- Model XZCPVB1141L2 Straight connector, Shielded, 4-conductor, PVC, 2 m (6.6 ft.)
- Model AC441AUS North America Configurator Kit: Cables, AC441A, & Superprox+ SW
- Model AC441A2 U.K. Configurator Kit: Cables, AC441A, & Superprox+ SW
- Model AC441A3 Europe Configurator Kit: Cables, AC441A, & Superprox+ SW
- Model AC441A4 Australia/N Zealand Configurator Kit: Cables, AC441A, & Superprox+ SW
- Model AC441A5 South African Configurator Kit: Cables, AC441A, & Superprox+ SW

Setting the Window Limits

Setup Using Remote Switch or Remote Pushbutton - Requires XZCPV1164L2 Cable

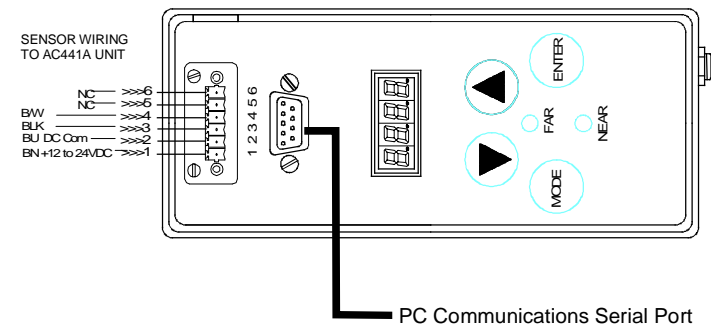
This sensor provides a 5th wire (Pin 5), which must be connected to Com (Pin 2) with a remote switch or pushbutton using an XZCPV1164L2 cable.

Setup with Limit Pushbutton Armed/Enable – Must be greater than zero (3 for example):

To teach the window limits, activate the remote switch (the multicolor LED rapidly flashes amber) until the multicolor LED flashes green (about 3 seconds), and then release the switch. The multicolor LED continues flashing green. Align a flat object parallel to the sensor face at the desired distance for either the Far or Near window limit. Activate the remote switch to set the first limit. Upon deactivation of the switch, the multicolor LED flashes amber indicating the first limit is set. Align the flat object at the second window limit, then activate and deactivate the remote switch. The second limit is now set and upon release of the switch, the multicolor LED turns to the color that indicates where the object is located. While the switch is activated, the multicolor LED turns amber to indicate the sensor detects the object. If the sensor does not detect the object, the multicolor LED is red while the switch is activated. When the switch is released after not detecting an object, the multicolor LED flashes red 2 seconds, and then requests that limit again, flashing green to request the first limit or amber to request the second limit.

NOTE: The TP option does not support an "Armed/Enable" of "0" (always active teach function). An always active teach function is incompatible with using the remote teach input as a trigger input.

AC441A Configurator



General Specifications

Power Supply: +15 to 24 VDC @ 80 mA, excluding load

Analog Output: Min 0 mA - Max 20 mA

Load Resistance: 10 to 500 Ω

Operating Temperature:

-40°C to 60°C (-40°F to 140°F) @ 100% relative humidity

Note: At temperatures below -20C/-4F the Sensing range may be less, depending upon target material, target shape, and wind conditions.

Sensing:

Range: 304.8 to 8,001.0 mm (12.00 to 315.00 inches)

Limit Adjustment Resolution: 0.254 mm (0.010 inch)

Sensor Angle with respect to smooth flat surface: 90° \pm 10°

Repeatability: \pm 0.86 mm (0.034 inch) from smooth flat surface at constant air temperature

Quick Disconnect Cables (Optional):

XZCPV1164L2 Straight, 5-conductor, PVC, 2 meters (6.6 feet)

XZCPVB1141L2 Straight, 4-conductor, PVC, 2 meters (6.6 feet)

Sensor Housing Material:

Case: PEI


Face: Epoxy - White

Sensor Ratings and Approvals

NEMA 4X (Indoor Use Only) 5, 12, 12K, 13, and IP67

Installation/Overvoltage Category: II

This Product is UL Listed if powered by a Class II Power Supply and protected by a 2.0A Max UL Listed Fuse

 CE Mark Compliant: Declaration of conformity available upon request

Literature and application engineering assistance are provided by Telemecanique Sensors and its authorized distributors to aid the customer in selecting the product for an application. The customer is responsible for determining the suitability of the product in the application.

LIMITATIONS AND EXCLUSION OF WARRANTIES

All goods purchased from Schneider Electric USA shall be free from defects in materials, design and workmanship under normal conditions of use for one year from the date of shipment. THIS WARRANTY IS THE SOLE WARRANTY AND IS EXPRESSLY IN LIEU OF ALL OTHER WARRANTIES, EXPRESS OR IMPLIED, INCLUDING BUT NOT LIMITED TO ANY IMPLIED WARRANTY OF MERCHANTABILITY OF FITNESS FOR A PARTICULAR PURPOSE. THE LIABILITY OF THE COMPANY TO ANY PURCHASER SHALL BE LIMITED EXCLUSIVELY TO THE COST OF REPLACEMENT OR REPAIR OF DEFECTIVE PARTS, AND SHALL NOT INCLUDE LIABILITY FOR ANY DIRECT, CONSEQUENTIAL OR INCIDENTAL DAMAGES WHATSOEVER, WHETHER FORESEEN OR UNFORESEEN, INCLUDING BUT NOT LIMITED TO LOST PROFITS, LOST SALES, OR INJURY TO PERSONS OR PROPERTY.

TELEMECANIQUE SENSORS / SCHNEIDER ELECTRIC USA

1875 Founders Drive
Dayton, Ohio USA 45420-4017
Phone (937) 252-2121 Fax (937) 258-5830
Email: help@tesensors.com
Web Site: <http://www.tesensors.com>
© 1997-2008 Schneider Electric USA

HYDE PARK[®]

SUPERPROX[®]

SC956A8C0TP

Ultrasonic Analog Output Sensor

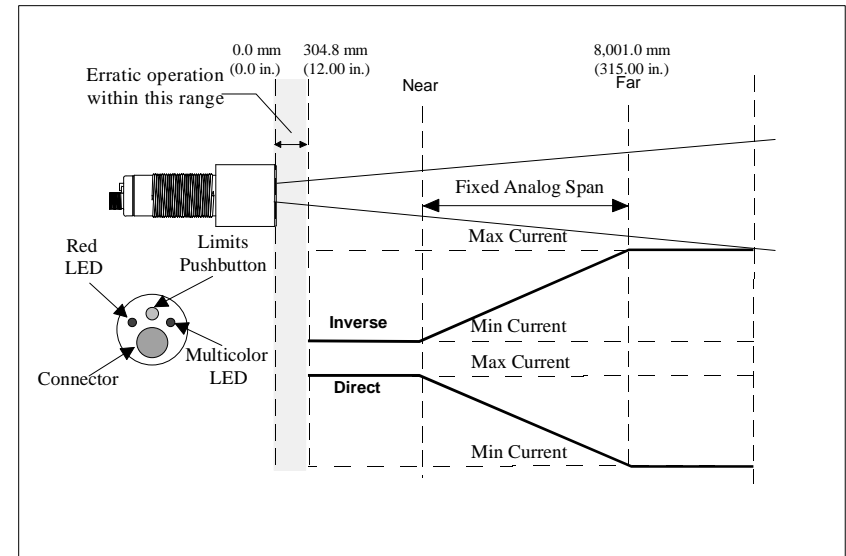
Configurable Unit, Current Output, Remote Limits Setup

Remotely Triggered Scan Cycle



OPERATOR INSTRUCTIONS

This reconfigurable ultrasonic proximity sensor can detect objects within the sensing range and a multicolor LED indicates the zone of the object. It is configured using an AC441A unit and Superprox+ software. Limits may also be set using a remote switch and an XZCPV1164L2 cable, or by using an XXZPB101 Pushbutton along with an XZCPVB1141L2 cable. Sensor scan cycles are triggered by an external pulse from a remote switch, a PLC, or a PC.



Triggering A Scan Cycle

Triggering Using A Remote Input Using Required XZVPV1164L2 Cable

This sensor provides a 5th wire (Pin 5), which must be connected to Com (Pin 2) with a remote switch, PLC, or PC using the XZCPV1164L2 cable. A sensor scan cycle is triggered by a low pulse on the remote teach wire. The input to the trigger must be an open collector output (NPN) or contact switch to ground. Maximum allowed input voltage is +5 volts, and the low pulse must be between 500 μ sec to 10 msec. If the low pulse is longer than 10 msec, the sensor may enter the arming sequence for teaching limits. During the teach mode, the sensor cycles at the configured cycle time, which is usually 100 msec.

NOTE: When using a teach pushbutton, the remote trigger pulse input should be unconnected.