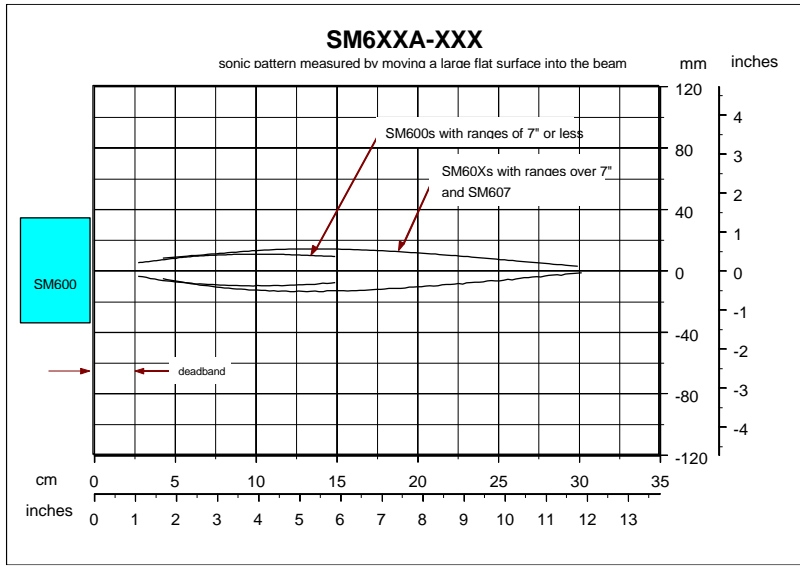


## Beam Plot



## Mounting / Alignment

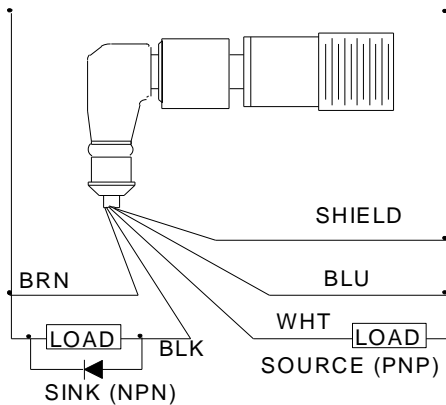
Mount the sensor such that the reflective surface of the object to be detected is approximately centered within the sensor's sensing window. Mount the sensor firmly to avoid vibration. For best results, the sensor face should be parallel to the liquid or material surface and free of air currents.

## Wiring Connections, Connector Model

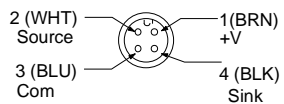
12 to 24 VDC

### Wiring

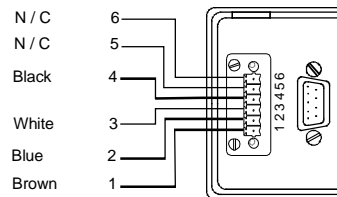
DC Com



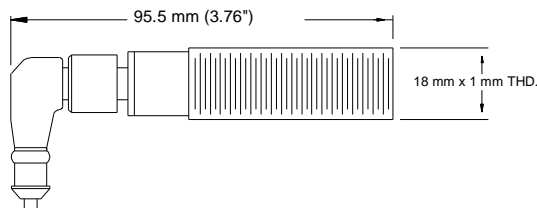
### Sensor Connector Pins



### AC441A Connections



### Dimensions

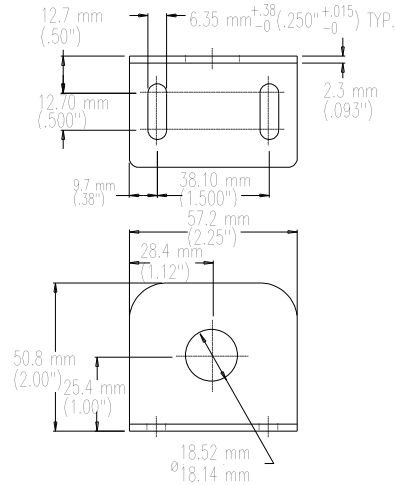


## Accessories

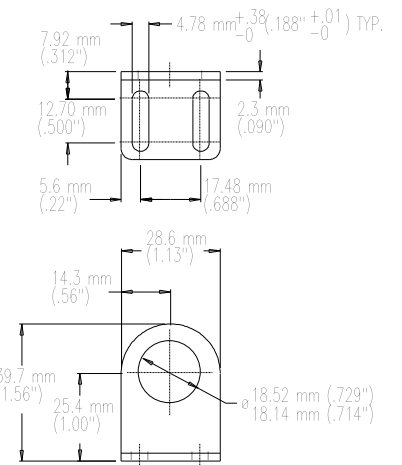
Model AC117  
Model AC127  
Model AC226  
Model AC227  
Model AC228  
Model AC240  
Model AC441A

Rt. Angle Connector Cable - 5 meters (16 ft.)  
Straight Connector Cable - 5 meters (16 ft.)  
Conveyor Rail Clamp/Bracket Set  
Mounting Bracket, Large (ACxxx Retrofit)  
Mounting Bracket, Small  
Mounting Bracket, Flat  
Handheld Configurator

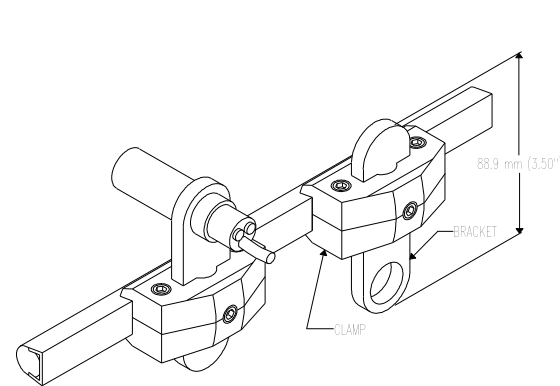
## Accessory Dimensions



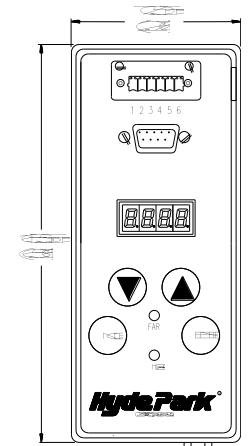
AC227



AC228



AC226 (1 CLAMP & 1 BRACKET)



AC441A - Handheld Configurator

## General Specifications

### Power Supply:

Supply: +12 to 24 VDC @ 50 mA max. (excluding output load)  
 Protection: ESD and reverse-polarity

### Sinking Output:

Maximum on-state voltage drop @ 100mA: 1.0 V  
 Maximum load current: 100 mA  
 Maximum applied voltage: 30 VDC  
 Protection: ESD and over-current

### Sourcing Output:

Maximum on-state voltage drop @ 200mA: 0.9 V  
 Maximum load current: 200 mA  
 Maximum output voltage: Equal to supply voltage  
 Protection: ESD and over-current

### Operating Temperature:

@ 12 VDC supply 0 to 60°C (32°F to 140°F) @ 100% relative humidity  
 @ 24 VDC supply 0 to 50°C (32°F to 122°F) @ 100% relative humidity

### Sensing:

Maximum Far Limit: 254.0 mm (10.00 in.)  
 Window-edge accuracy: ± 0.69 mm (0.027 in.)  
 Maximum plane-reflector angle: ± 10°  
 Sonic Cone Angle: 10° @ 50.8 mm (2.0 in.) total angle  
 Minimum object size (rod shape): 1.6 mm (0.06 in.) @ 38 mm (1.5 in.) distance

### Sensor Dimensions:

Threads: 18 mm x 1 mm  
 Length: 64.7 mm (2.55 in.)

### Sensor Cable:

Model No. AC117 - 5 meters (16 ft.)  
 (Must be purchased separately)

### Sensor Materials:

Housing: Stainless Steel  
 Transducer face: FDA approved silicone rubber  
 Cable: Non-toxic PVC jacket  
 LEDs: Polycarbonate

### Sensor Ratings and Approvals:

NEMA 4X (Indoor Use Only) 5, 12, 12K, 13, and IP67

Installation/Overvoltage Category: II

CE Mark Compliant:

Declaration of conformity available upon request.

This Product is UL Listed if powered by a Class II Power Supply and protected by a 2.0A Max UL Listed Fuse

# SUPERPROX<sup>®</sup>

## SC650A-B00S

### Ultrasonic Proximity Sensor

#### 18 mm Diameter, Reconfigurable Sensor

#### Maximum Far Limit Distance 254.0 mm (10.00 in.) from Sensor Face

**HydePark**  
Sensors for the Real World



LISTED  
IND. CONT. EQ.  
3KYC  
SUPPLY CLASS 2  
FUSE 2A UL LISTED

## OPERATOR INSTRUCTIONS

This self-contained, ultrasonic proximity sensor is capable of sensing most objects within its sensing range (Fig.1). Objects that are transparent, opaque, plastic, glass, metal, liquid or solid can be detected if located within the sensing window. Sensor is reconfigured via the AC441A handheld configurator and SUPERPROX+ configuration software.

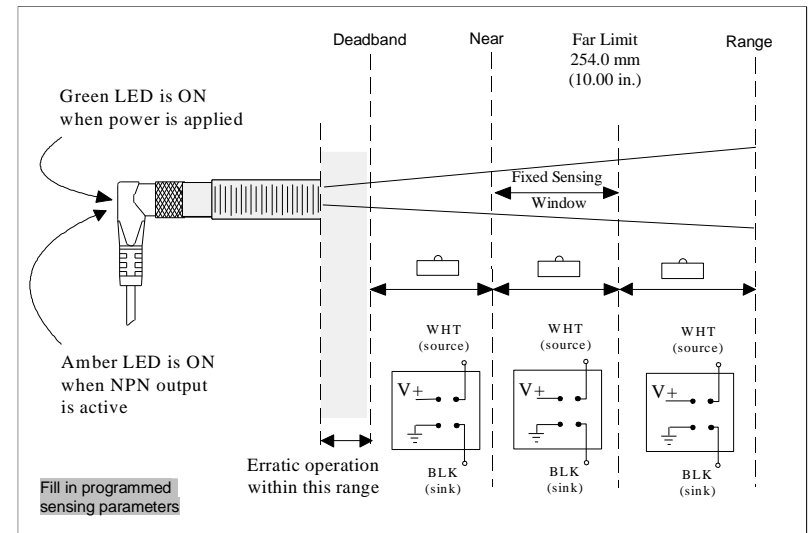


Figure 1

### LIMITATIONS AND EXCLUSION OF WARRANTIES

All goods purchased from Hyde Park Electronics LLC shall be free from defects in materials, design and workmanship under normal conditions of use for one year from the date of shipment. THIS WARRANTY IS THE SOLE WARRANTY AND IS EXPRESSLY IN LIEU OF ALL OTHER WARRANTIES, EXPRESS OR IMPLIED, INCLUDING BUT NOT LIMITED TO ANY IMPLIED WARRANTY OF MERCHANTABILITY OF FITNESS FOR A PARTICULAR PURPOSE. THE LIABILITY OF HYDE PARK TO ANY PURCHASER SHALL BE LIMITED EXCLUSIVELY TO THE COST OF REPLACEMENT OR REPAIR OF DEFECTIVE PARTS, AND SHALL NOT INCLUDE LIABILITY FOR ANY DIRECT, CONSEQUENTIAL OR INCIDENTAL DAMAGES WHATSOEVER, WHETHER FORESEEN OR UNFORESEEN, INCLUDING BUT NOT LIMITED TO LOST PROFITS, LOST SALES, OR INJURY TO PERSONS OR PROPERTY.

Literature and application engineering assistance are provided by Hyde Park and its authorized distributors to aid the customer in selecting the product for an application. The customer, however, is responsible for determining the suitability of the product in the application.

## HYDE PARK ELECTRONICS LLC

1875 Founders Drive  
 Dayton, Ohio 45420-4017  
 Phone (937) 252-2121 Fax (937) 258-5830  
 Email: help@sesensors.com  
 Web Site: <http://www.sesensors.com>

© 1997-2008 Hyde Park Electronics LLC