

# ZLPX Sense Zone LED Panel

## Instruction Sheet R10203GB0



## **Schneider Electric Fire & Security Oy**

Sokerilinnantie 11 C  
FI-02600 Espoo, Finland  
Tel: +358 10 446 511  
Website: [www.se.com](http://www.se.com)  
Document number: R10203GB0

© 2020 – Schneider Electric. All Rights Reserved. This information is only to be used as guidance. Subject to changes and errors.

# Contents

<b>1</b>	<b>ZLPX Sense Zone LED panel and control units .....</b>	<b>4</b>
1.1	Product codes .....	4
1.2	Zone name label installation .....	5
<b>2</b>	<b>System examples .....</b>	<b>6</b>
2.1	Basic system principle with ZLPX Sense edition panels .....	6
2.2	System example: open collector LED outputs .....	7
2.3	System example: relay outputs .....	8
2.4	System example: LED board LB200 outputs .....	9
2.5	System example: mixed outputs .....	10

# 1 ZLPX Sense Zone LED panel and control units

The ZLPX Sense Zone LED panel is used for fire brigade as primary information source of the place of alarm in the building. The panel can function as pure display device showing zone specific fire place. The ZLPX Sense edition can be connected to the Esmi Sense FDP panels: FDP221, FDP252 and FDP292.

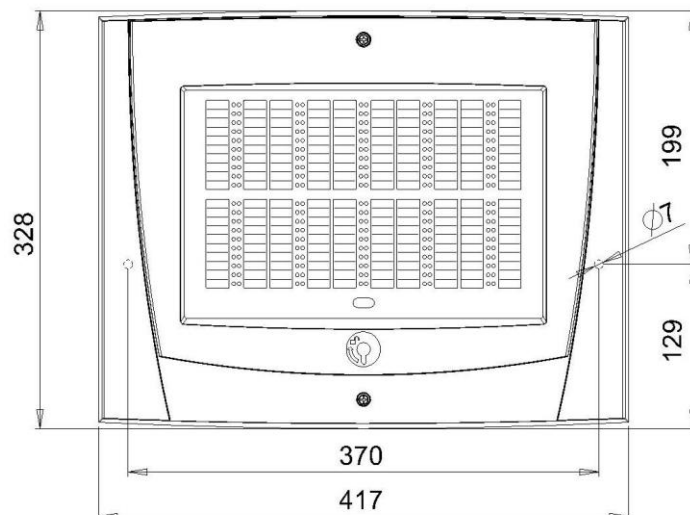
The ZLPX Sense zone LED panel can be used in the Esmi Sense FDP fire detection system without any configuration. In this case, the ZLPX Sense shows the same fire alarm information as the FDP panel communicating with the zone LED panel.

If it is necessary to show zone/area-specific fire alarm information only, then the ZLPX Sense panel must be configured. The configuration is done by using the WinFMPX configuration tool and the incoming serial port with the RS232 setting. During the configuration of the ZLPX Sense edition panel, the communication line to the FDP panel (RS485) must be disconnected.

## 1.1 Product codes

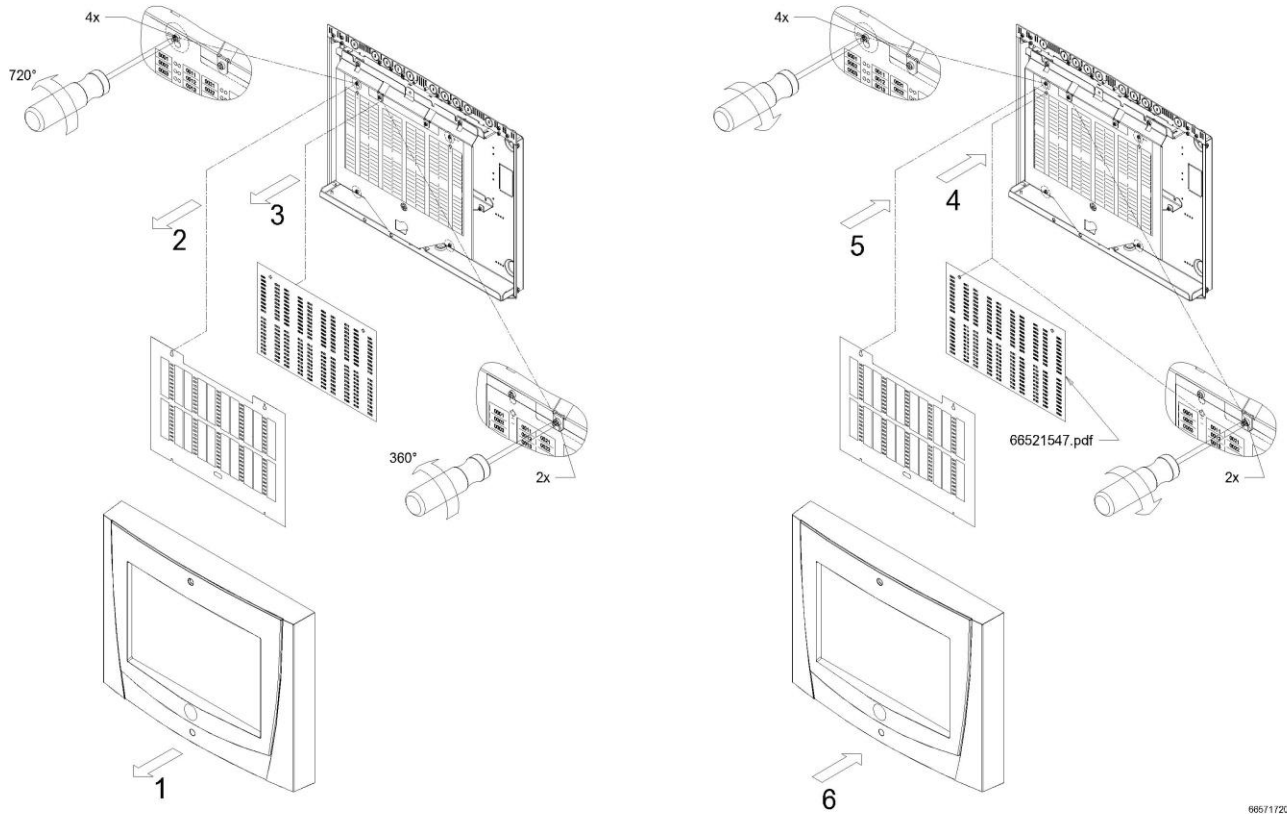
Table 3: Product codes

Product	Code	Description
ZLPX Sense	FFS00703849	Zone LED panel with 200 LEDs
ZLPX-IC	FFS00703841	ZLPX Sense controller
LB200	FFS00703842	LED board 200 LEDs
OC-100L	FFS00703843	Open collector output for 100 LEDs
OC-100R	FFS00703844	Open collector output for 100 relays
CCLO	FFS00703845	Connection cable for LED outputs, 3m
COL-10	FFS00703846	10 LEDs cable, 1m
RB20	FFS00703847	Relay board of 20 relays



## 1.2 Zone name label installation

Use Adobe Acrobat Reader and the document "Zone name definition" 66521547 to name and print a customer specific zone name label.



66571720

Figure 1: Zone name label installation.

## 2 System examples

### 2.1 Basic system principle with ZLPX Sense edition panels

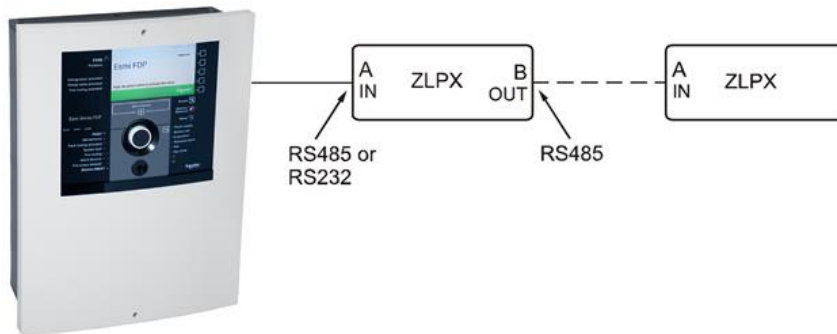


Figure 2: Basic system principle with ZLPX Sense panels.



**Note:** The maximum number of ZLPX Sense (and/or ZLPX-IC; FMP, DAP, REP, REPX-OB, MCO, MCOX-OB) units connected to one FDP panel is 16.

The RS232 setting is used for configuration and software update.

The INFO line in the ZLPX Sense (ZLPX-IC) panel must be disconnected during the ZLPX Sense (ZLPX-IC) configuration.



**Note:** The maximum RS485 cable length between 2 devices is 1000 m.

The maximum RS232 cable length is 10 m.



**Note:** The maximum number of zones in one FDP system is 8000.



**Note:** Due to current consumption, max. 50 zonal outputs/ZLPX-IC card can be activated at the same time.



**Note:** There can be more than one outputs/zone.

## 2.2 System example: open collector LED outputs

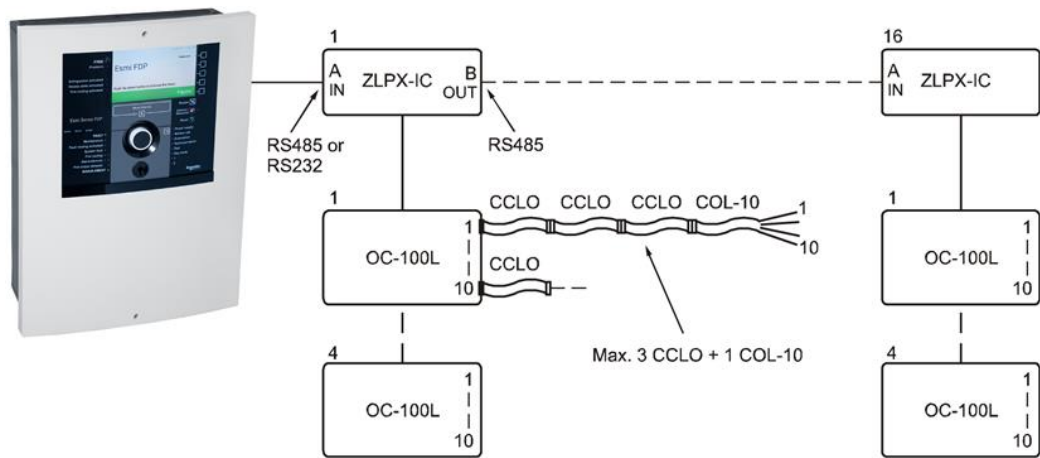


Figure 3: System example: open collector LED outputs.



**Note:** The maximum number of ZLPX Sense (and/or ZLPX-IC; FMP, DAP, REP, REPX-OB, MCO, MCOX-OB) units connected to one FDP panel is 16.

The RS232 setting is used for configuration and software update.

The INFO line in the ZLPX Sense (ZLPX-IC) panel must be disconnected during the ZLPX Sense (ZLPX-IC) configuration.



**Note:** The maximum RS485 cable length between 2 devices is 1000 m.

The maximum RS232 cable length is 10 m.



**Note:** The maximum number of zones in one FDP system is 8000.

If the load taken from the IC board exceeds 1A, then an external power supply input (OC-100I and OC-100R) must be used.



**Note:** Due to current consumption, max. 50 zonal outputs/ZLPX-IC card can be activated at the same time.



**Note:** There can be more than one outputs/zone.

### 2.3 System example: relay outputs

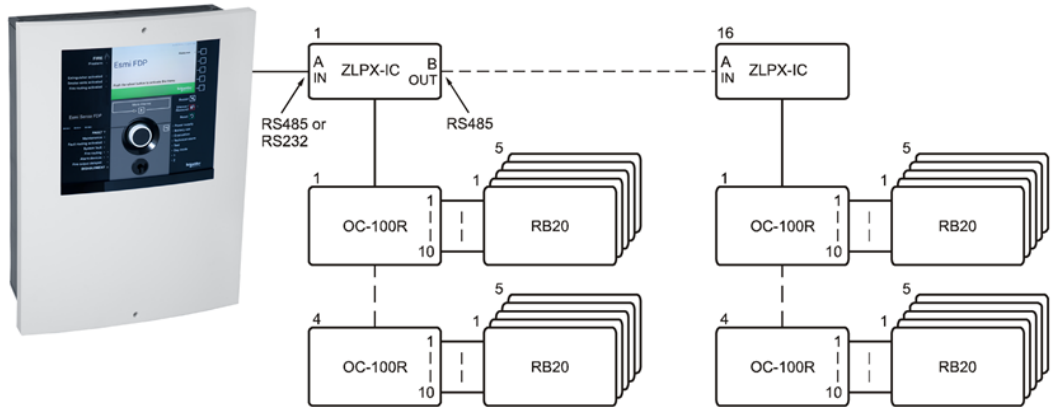


Figure 4: System example: relay outputs.



**Note:** The maximum number of ZLPX Sense (and/or ZLPX-IC; FMP, DAP, REP, REPX-OB, MCO, MCOX-OB) units connected to one FDP panel is 16.

The RS232 setting is used for configuration and software update.

The INFO line in the ZLPX Sense (ZLPX-IC) panel must be disconnected during the ZLPX Sense edition (ZLPX-IC) configuration.



**Note:** The maximum RS485 cable length between 2 devices is 1000 m.

The maximum RS232 cable length is 10 m.



**Note:** The maximum number of zones in one FDP system is 8000.



**Note:** Due to current consumption, max. 50 zonal outputs/ZLPX-IC card can be activated at the same time.



**Note:** There can be more than one outputs/zone.



## 2.4 System example: LED board LB200 outputs

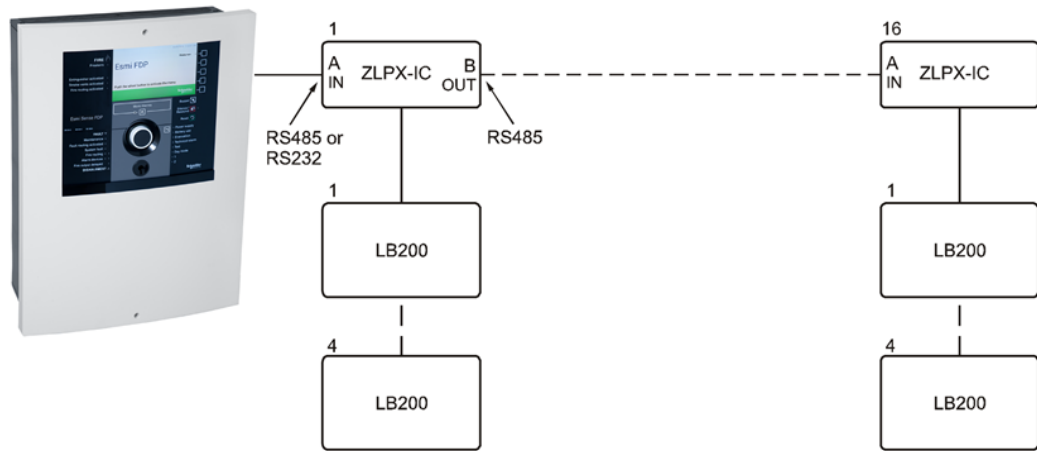


Figure 5: System example: LED board LB200 outputs.



**Note:** The maximum number of ZLPX Sense (and/or ZLPX-IC; FMP, DAP, REP, REPX-OB, MCO, MCOX-OB) units connected to one FDP panel is 16.

The RS232 setting is used for configuration and software update.

The INFO line in the ZLPX Sense (ZLPX-IC) panel must be disconnected during the ZLPX Sense (ZLPX-IC) configuration.



**Note:** The maximum RS485 cable length between 2 devices is 1000 m.

The maximum RS232 cable length is 10 m.



**Note:** The maximum number of zones in one FDP system is 8000.



**Note:** Due to current consumption, max. 50 zonal outputs/ZLPX-IC card can be activated at the same time.



**Note:** There can be more than one outputs/zone.

## 2.5 System example: mixed outputs

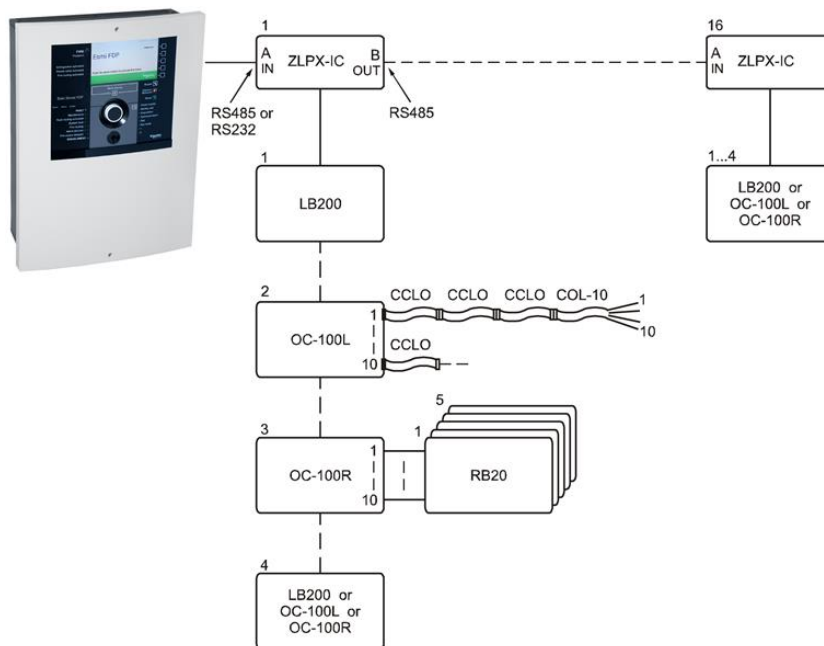


Figure 6: System example: mixed outputs.



**Note:** The maximum number of ZLPX Sense (and/or ZLPX-IC; FMP, DAP, REP, REPX-OB, MCO, MCOX-OB) units connected to one FDP panel is 16. The RS232 setting is used for configuration and software update. The INFO line in the ZLPX Sense (ZLPX-IC) panel must be disconnected during the ZLPX Sense (ZLPX-IC) configuration.



**Note:** The maximum RS485 cable length between 2 devices is 1000 m. The maximum RS232 cable length is 10 m.



**Note:** The maximum number of zones in one FDP system is 8000.



**Note:** Due to current consumption, max. 50 zonal outputs/ZLPX-IC card can be activated at the same time.



**Note:** There can be more than one outputs/zone.