

SR1T-2G Surface Mounting Box

Instruction Sheet
R10164GB0



Schneider Electric Fire & Security Oy

Sokerilinnantie 11 C
FI-02600 Espoo, Finland
Tel: +358 10 446 511
Website: www.schneider-electric.com
Document number: R10164GB0
Published: 16.07.2019

Contents

1	Surface Mounting Box SR1T-2G.....	4
1.1	Certificates	4
1.2	Mechanical Installation.....	4
2	Schematic Diagram & Wiring Connections	5
3	Test, element replacement and reset of the call point.....	6

1 Surface Mounting Box SR1T-2G

Intellia EPP-20 Manual Call Point for FX fire detection system Addressable call points EPP-20 is used in addressable ESMI FX fire detection system. The Intellia series of products are all compatible with the ALC-board of an FX-panel. EPP-20 call point has in built isolation and call point has a standard backbox SR1T-2G for surface wiring.

Product codes:

EPP-20 - flexible element, EN- version FFS06723732

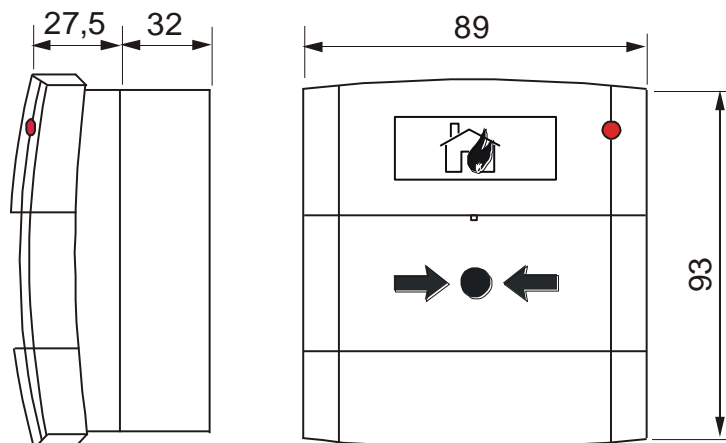
Surface Mounting Box SR1T-2G FFS06424310

1.1 Certificates

The manual call points are tested and certified according to the Construction Products Directive. The applied standard is EN54-11:2001/A1 and EN54-17:2005 for isolator.

1.2 Mechanical Installation

Surface mounted call point is installed into a separate surface mounting box (SR1T-2G).



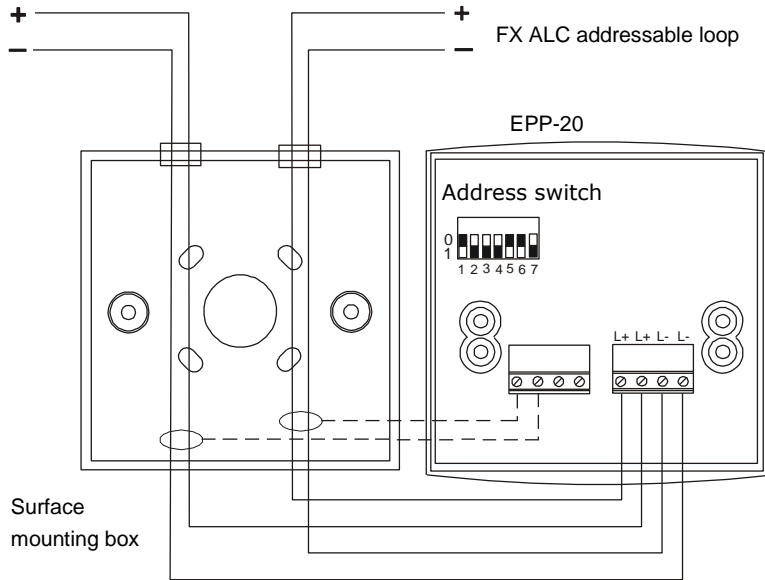
Manual Call Point

Surface Mounting Box SR1T-2G

100 mm free space has to be left below the call point.

2 Schematic Diagram & Wiring Connections

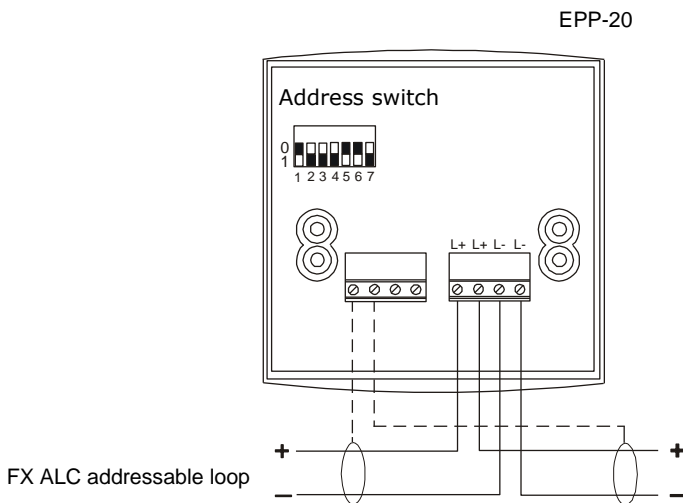
SURFACE MOUNTING



L+ = Loop input +
L+ = Loop output +
L- = Loop input -
L- = Loop output -

Note!
L+ and L- are polarity sensitive.

FLUSH MOUNTING



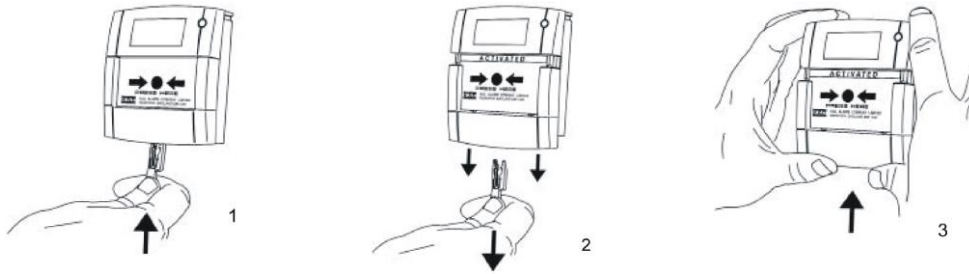
L+ = Loop input +
L+ = Loop output +
L- = Loop input -
L- = Loop output -

Note!
L+ and L- are polarity sensitive.

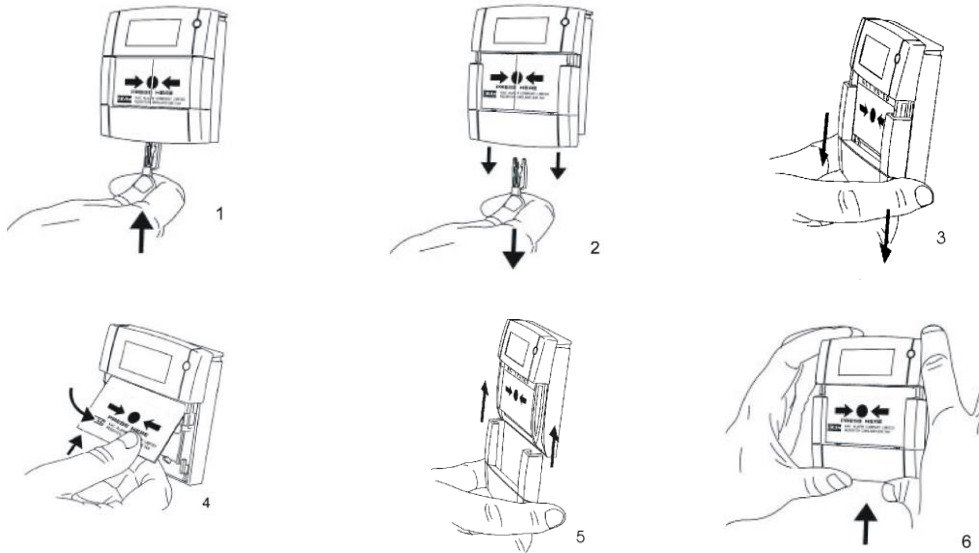
3 Test, element replacement and reset of the call point

Test, element replacement and reset of the call point

To test



To replace glass



To reset/resettable element

