

EPP20 Manual Call Point

Instruction Sheet
R10163GB0



Schneider Electric Fire & Security Oy

Sokerilinnantie 11 C
FI-02600 Espoo, Finland
Tel: +358 10 446 511
Website: www.schneider-electric.com
Document number: R10163GB0
Published: 16.07.2019

© 2019 – Schneider Electric. All Rights Reserved. This information is only to be used as guidance. Subject to changes and errors.

Contents

1	EPP20 Manual Call Point.....	4
1.1	Certificates	4
1.2	Mechanical Installation.....	4
2	Schematic Diagram & Wiring Connections	5
3	Accessories	6
4	Test, element replacement and reset of the call point.....	8

1 EPP20 Manual Call Point

Intellia EPP-20 Manual Call Point for FX fire detection system Addressable call points EPP-20 is used in addressable ESMI FX fire detection system. The Intellia series of products are all compatible with the ALC-board of an FX-panel. EPP-20 call point has in built isolation and call point has a standard backbox for surface wiring. The address of the EPP-20 is changed easily with DIL-switches. Call point can be tested and reset with the test key.

Product codes:

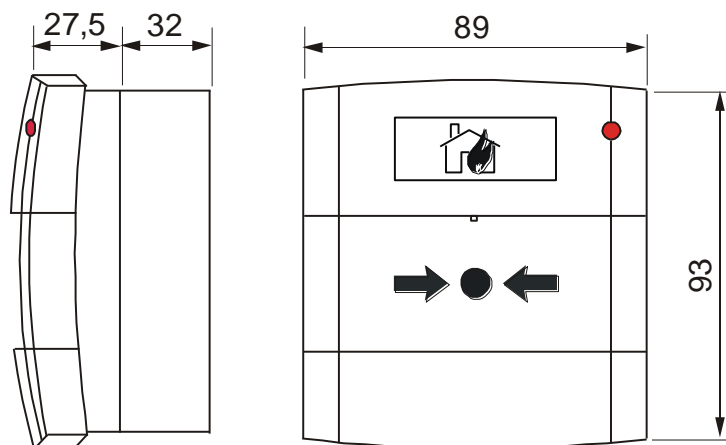
EPP-20 - flexible element, EN- version FFS06723732
Surface Mounting Box SR1T-2G FFS06424310

1.1 Certificates

The manual call points are tested and certified according to the Construction Products Directive. The applied standard is EN54-11:2001/A1 and EN54-17:2005 for isolator.

1.2 Mechanical Installation

Surface mounted call point is installed into a separate surface mounting box (SR1T-2G).



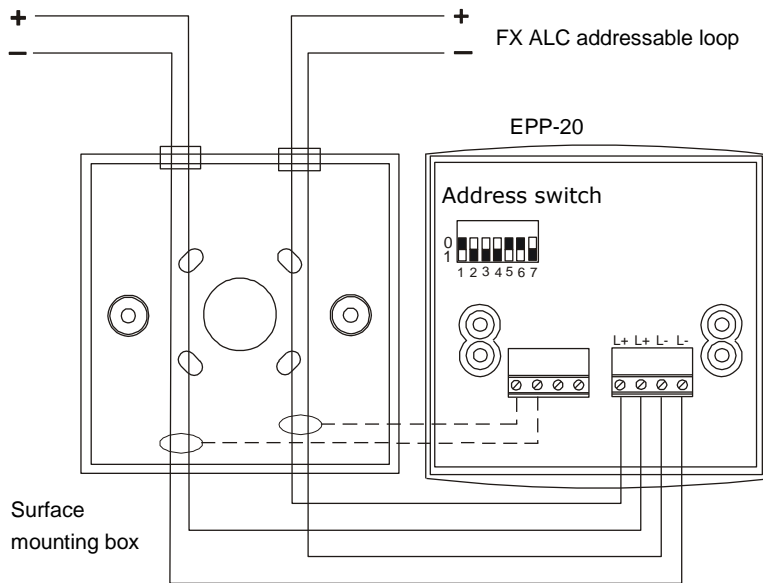
Manual Call Point

Surface Mounting Box SR1T-2G

100 mm free space has to be left below the call point.

2 Schematic Diagram & Wiring Connections

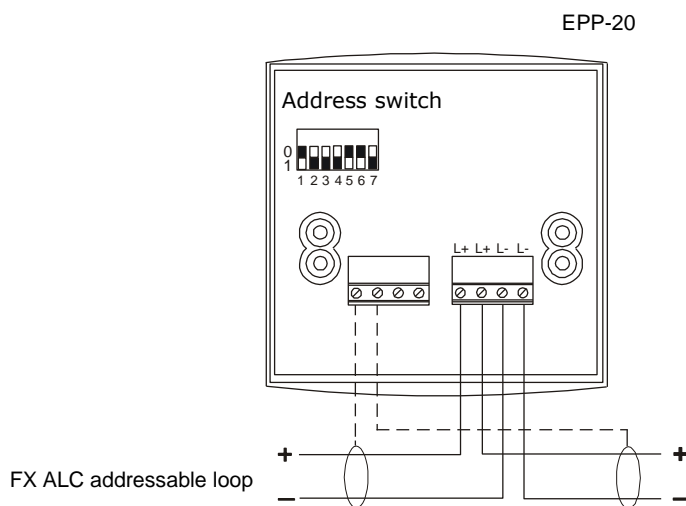
SURFACE MOUNTING



L+ = Loop input +
L+ = Loop output +
L- = Loop input -
L- = Loop output -

Note!
L+ and L- are polarity sensitive.

FLUSH MOUNTING

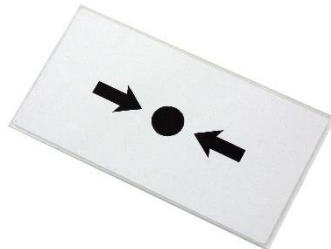


L+ = Loop input +
L+ = Loop output +
L- = Loop input -
L- = Loop output -

Note!
L+ and L- are polarity sensitive.

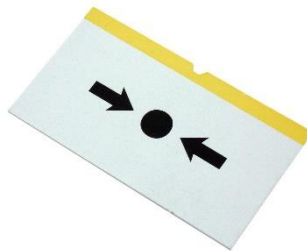
3 Accessories

REPLACEMENT GLASS ELEMENT – KG1



Material	Plastic covered glass
Resetting function	Glass must be replaced
Glass elements in package	20 pcs
Product code	FFS06424900EN

REPLACEMENT FLEXIBLE ELEMENT – PS210



Material	Plastic
Resetting function	Test & Re-set facility
Elements in package	20 pcs
Product code	FFS06424920

MANUAL CALL POINT COVER – PS200

Transparent hinged cover for call point.



Cover dimensions	90 x 104 mm
Weight	35 g
Product code	FFS06424502

SPARE TEST KEYS – SC017

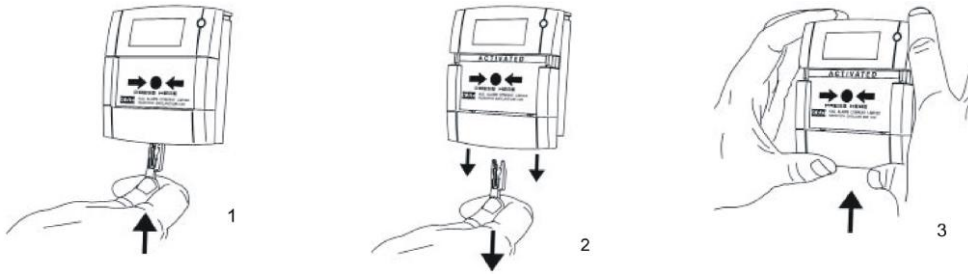
For testing and resetting EPP-20 manual call points	
Test keys in package	10 pcs
Product code	FFS06424510

Schneider Electric reserves the right to modifications.

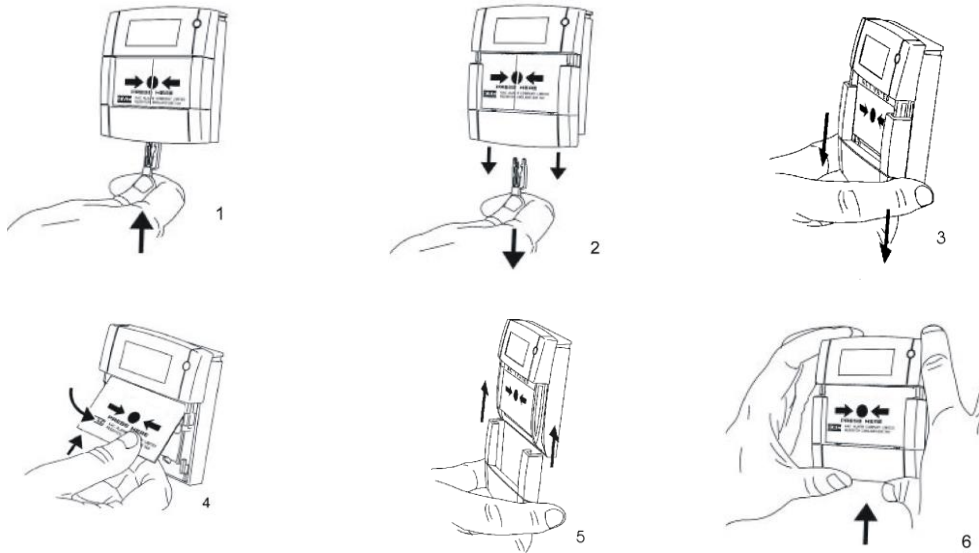
4 Test, element replacement and reset of the call point

Test, element replacement and reset of the call point

To test



To replace glass



To reset/resettable element

