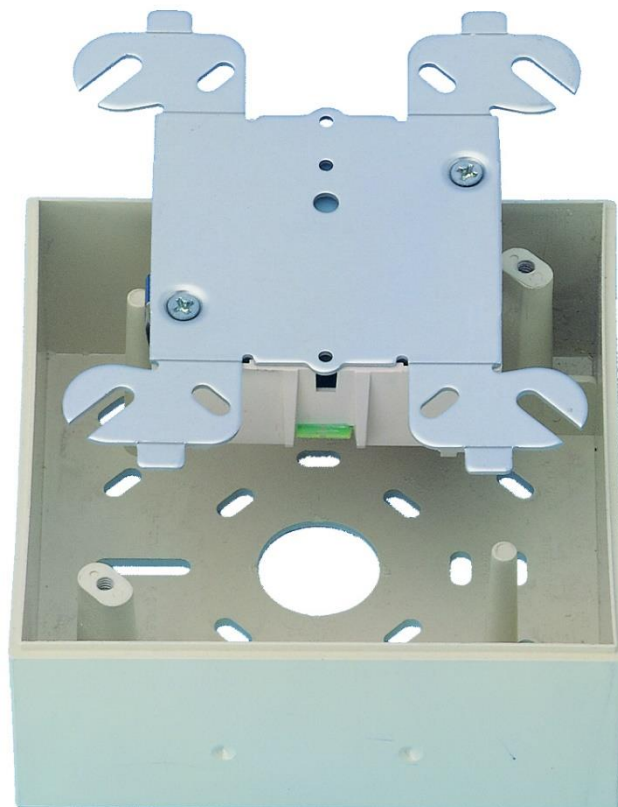


# Protocol Translator IST200

Instruction Sheet  
R10083GB0



## **Schneider Electric Fire & Security Oy**

Sokerilinnantie 11 C  
FI-02600 Espoo, Finland  
Tel: +358 10 446 511  
Website: [www.se.com](http://www.se.com)  
Document number: R10083GB0  
Published: 06.03.2020

© 2020 – Schneider Electric. All Rights Reserved. This information is only to be used as guidance. Subject to changes and errors.

# Contents

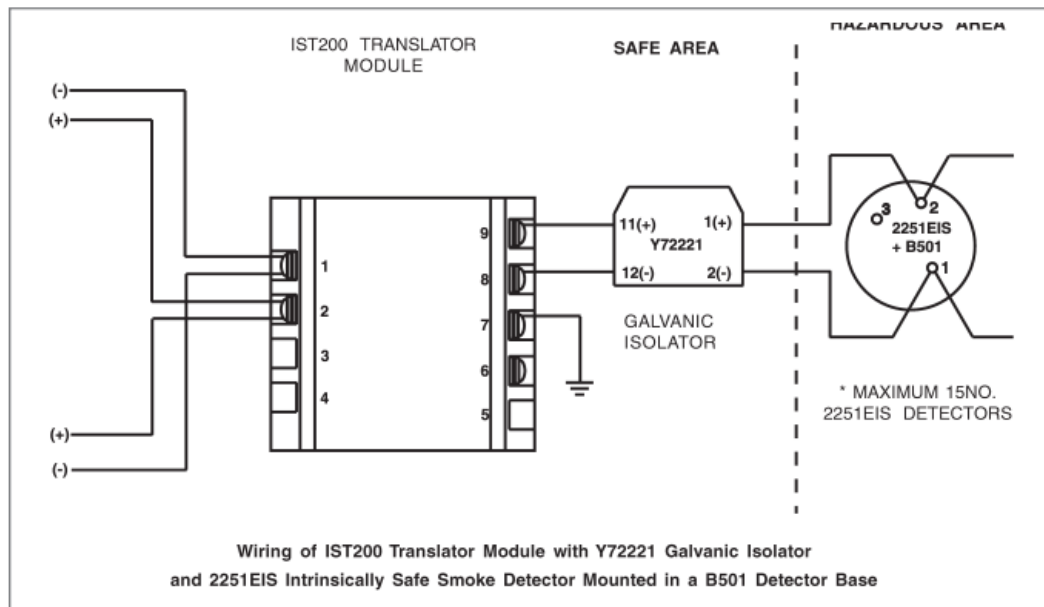
<b>1</b>	<b>Protocol Translator IST200 .....</b>	<b>4</b>
1.1	Architect/Engineer Specifications .....	5
1.2	Wiring .....	5
1.2.1	Non shielded cable .....	5
1.2.2	Shielded cable .....	6
1.3	Installation Box SMB-500.....	6
1.4	Product Codes .....	6

# 1 Protocol Translator IST200

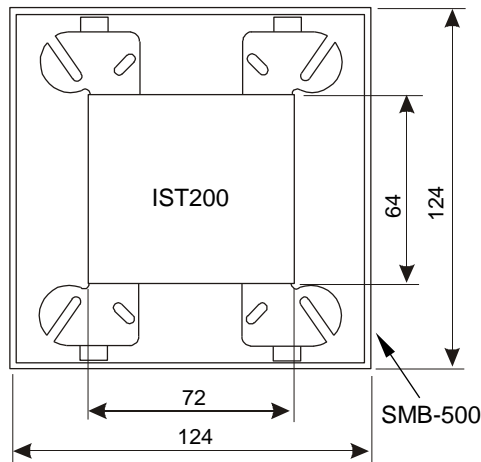
The IST200 translator module ( ) is intended for use with analogue addressable systems and in conjunction with 2251EIS intrinsically safe photoelectric smoke sensors. The IST200 translator module serves as an interface between the control panel and up to a maximum of 15 x 2251EIS smoke sensors.

The IST200 must also be used in conjunction with a Y72221 galvanic isolator barrier (see below). To ensure correct operation, the IST200 must only be connected to a listed compatible Control Panel.

The IST200 translator module can be easily mounted within System Sensor's existing SMB500 surface mount box (see diagram). The IST200 must be located within a safe environment.



### 1.1 Architect/Engineer Specifications



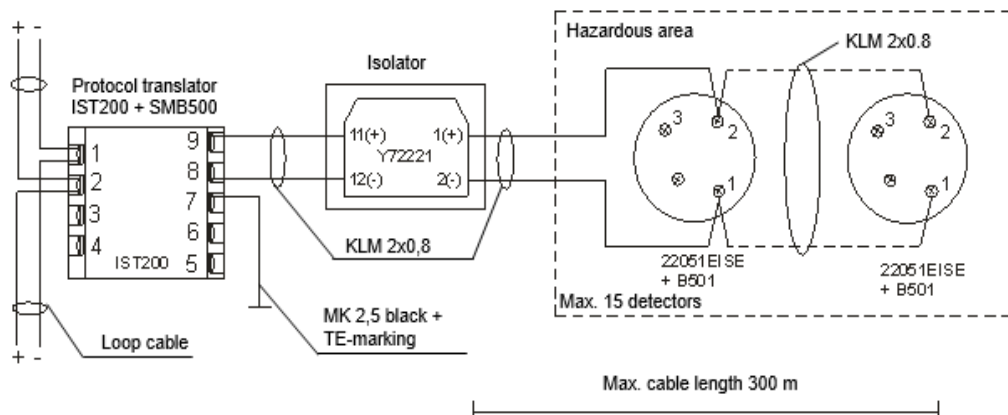
### 1.2 Wiring

The capacitance and inductance or inductance/resistance (L/R) ratio of the cable connected to the hazardous area between the 22051EISE base's (B501) power terminals (1 and 2) must not exceed the following values:

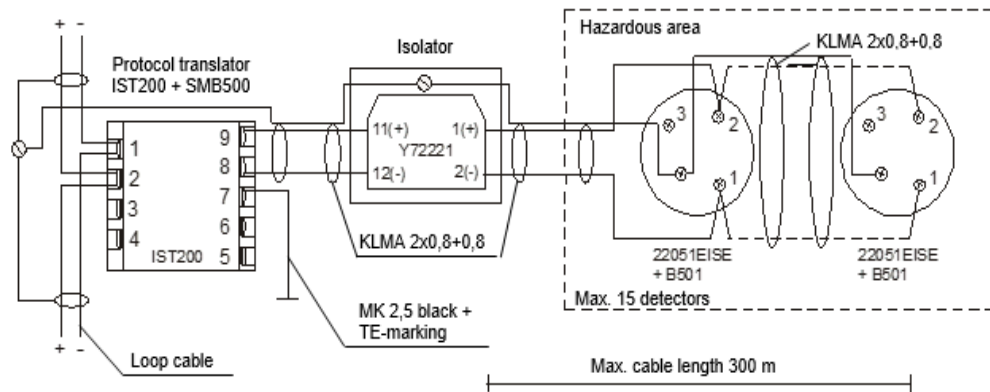
Group	Capacitance (µF)	Inductance (mH)	L/R Ratio (µH/ohm)
IIC	0.083	4.2	55
IIB	0.65	12.6	210
IIA	2.15	33.6	444

Maximum number of 22051EISE detectors connected to one IST200 = 15. Maximum cable length of the IS circuit = 300 m. This assumes a cable capacitance no greater than 260pF/m and a maximum wiring resistance of 40 ohms from the barrier output to the end of the IS loop.

#### 1.2.1 Non shielded cable



### 1.2.2 Shielded cable



**Note!** Hazardous area loop is a branch of the addressable loop.  
Remote indicator can not be connected to 22051EISE detectors.

### 1.3 Installation Box SMB-500



### 1.4 Product Codes

Product Description	Product code
Protocol Translator IST200	FFS06710246
Installation Box SMB-500	FFS06715490