

en zh



Wiser by SE app



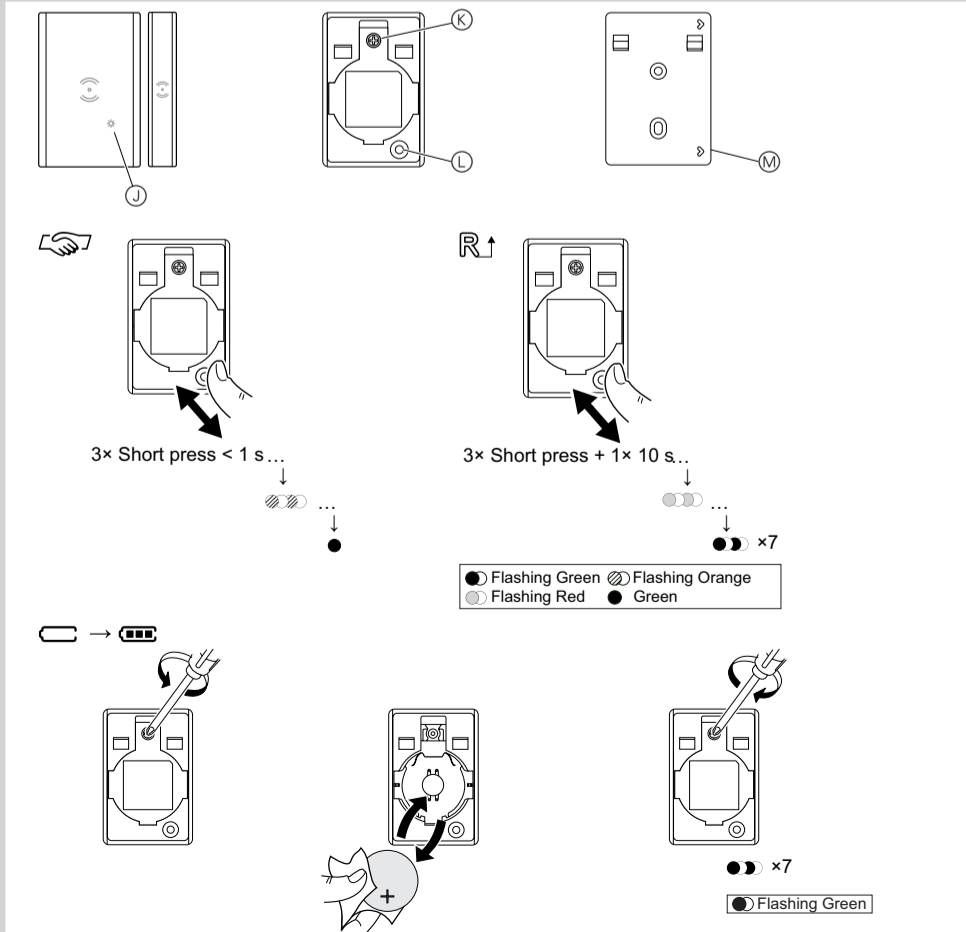
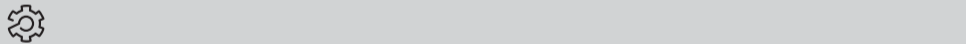
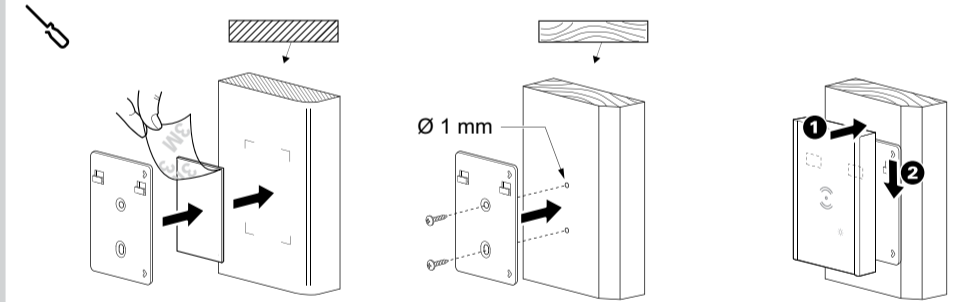
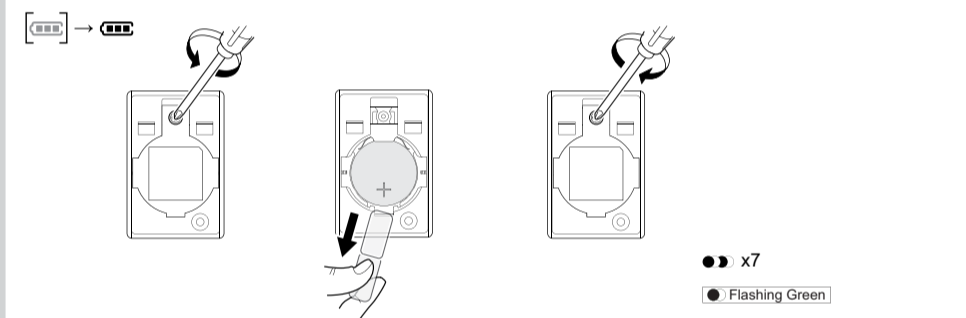
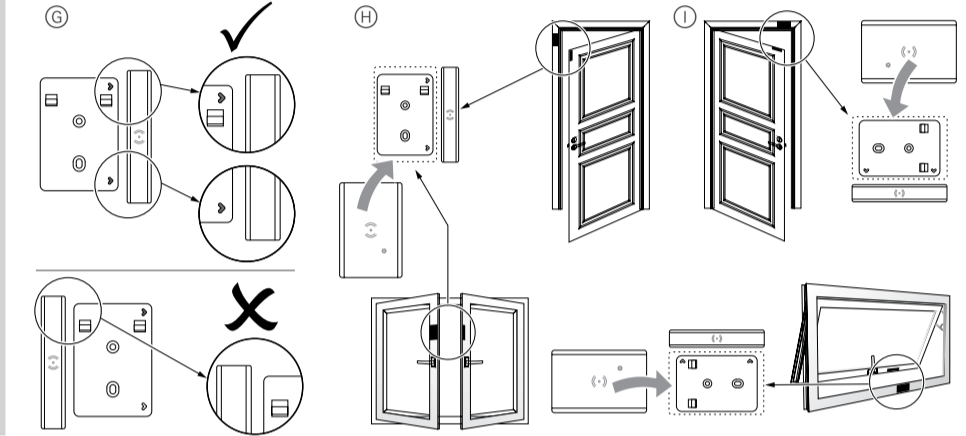
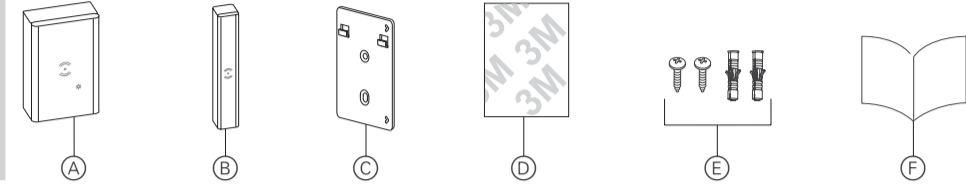
CCT591011\_AS

Wiser

Schneider Electric



Works with Wiser Hub CCT501900. Refer to system user guide for more information: [https://download.schneider-electric.com/files?p\\_Doc\\_Ref=MFR1569800](https://download.schneider-electric.com/files?p_Doc_Ref=MFR1569800)



en Wisier Window/Door Sensor CCT591011\_AS

### For your safety

#### NOTICE

#### RISK OF DAMAGE TO DEVICE

Always operate the product in compliance with the specified technical data.

**Failure to follow these instructions can result in equipment damage.**

#### Prerequisites

Download the Wiser by SE app on your smartphone. You can use the app to configure and control the Wisier Window/Door Sensor.



App Store URL: <https://itunes.apple.com/us/app/wiser-by-se/id1026806919?is=1&mt=8>



Google Play URL: <https://play.google.com/store/apps/details?id=com.schneiderelectric.WiserBySE>

#### Getting to know the product

The Wisier Window/Door Sensor consists of two separate parts: master and slave. The master part includes the sensing circuit which detects the slave part. The slave part is a magnet.

When the sensor is connected to the Wisier Hub and the window/door is opened or closed, the master part (sensor) directly reports the change to the Wisier Hub.

When the battery is low (less than 10%), the status LED blinks orange once per minute, and a message is sent to the Wisier Hub.

#### Package contents

- (A) Master part (sensor)
- (B) Slave part (magnet)
- (C) Base plate
- (D) Adhesive pads
- (E) Screws: Qty 2 ST4.2 × 25 mm with wall plugs
- (F) Installation instructions

#### Choosing the installation location

Install the master and slave parts as per the suggested location.

- (G) Correct and incorrect slave part/base plate alignment.
- (H) Vertical mounting options.
- (I) Horizontal mounting options.

#### Mounting the sensor

**Removing the battery isolation strip**

- Mounting**
- For wood or plastic surfaces, use either the adhesive pads or the mounting screws.
  - If using screws, pre-drill a 1 mm hole.
  - For metal surfaces, use adhesive pads only.
  - To avoid degrading sensor performance, do not install the sensor near magnetic devices.
  - With the window/door in the *close* state, the distance between the master part and slave part of the sensor should be <18 mm for a non-metallic base (for example, wood or plastic surfaces) and <10 mm for a metallic base.

#### Operating elements

- (J) Status LED
- (K) Base cover screw
- (L) Function key
- (M) Base plate

#### Setting the sensor

Remove the master part from the base plate to access the function key (L).

#### Connecting to the Wisier Hub

- ① Short press the function key 3 times within 1 s. The sensor scans for the available Zigbee network. The status LED turns green if the sensor successfully connects to the Wisier Hub.
- ② Follow the instructions in the Wiser by SE app to set the sensor parameters through the Wisier Hub.

#### Resetting the sensor

Short press the function key 3 times within 1 s and then long press the function key once for >10 s to reset the sensor to factory default mode.

All configuration data, user data, and network data is deleted.

#### Replacing the battery

#### Behaviour of the status LED

Refer to the system user guide.

#### Troubleshooting

Refer to the system user guide.

#### Technical data

<b>Battery</b>	3 VDC, CR2450
<b>Battery life</b>	Up to 5 years (may vary based on the usage, frequency of firmware update and environment)
<b>Power rating</b>	≤90 mW
<b>Max transmitted power</b>	≤7 dBm
<b>IP rating</b>	IP20
<b>Operating temperature</b>	-10 °C to 50 °C
<b>Relative humidity</b>	10% to 95%
<b>Frequency range</b>	2405 MHz to 2480 MHz
<b>Master part dimensions (H × W × D)</b>	50.3 × 33.0 × 16.3 mm
<b>Slave part dimensions (H × W × D)</b>	50 × 9 × 9 mm
<b>Standards</b>	EN 60669-2-5 IEC 60669-2-5
<b>Certification</b>	CE compliant Zigbee 3.0 compliant

#### Trademarks

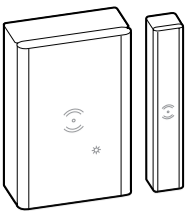
- Apple® and App Store® are brand names or registered trademarks of Apple Inc.
- Google Play™ Store and Android™ are brand names or registered trademarks of Google Inc.
- Zigbee® is a registered trademark of the Zigbee Alliance.

Other brands and registered trademarks are properties of their relevant owners.

#### Schneider Electric Asia Pacific Limited

11th Floor, Kerry Centre, 683 King's Road, Quarry Bay, Hong Kong

[se.com/contact](http://se.com/contact)



en zh



Wiser by SE app

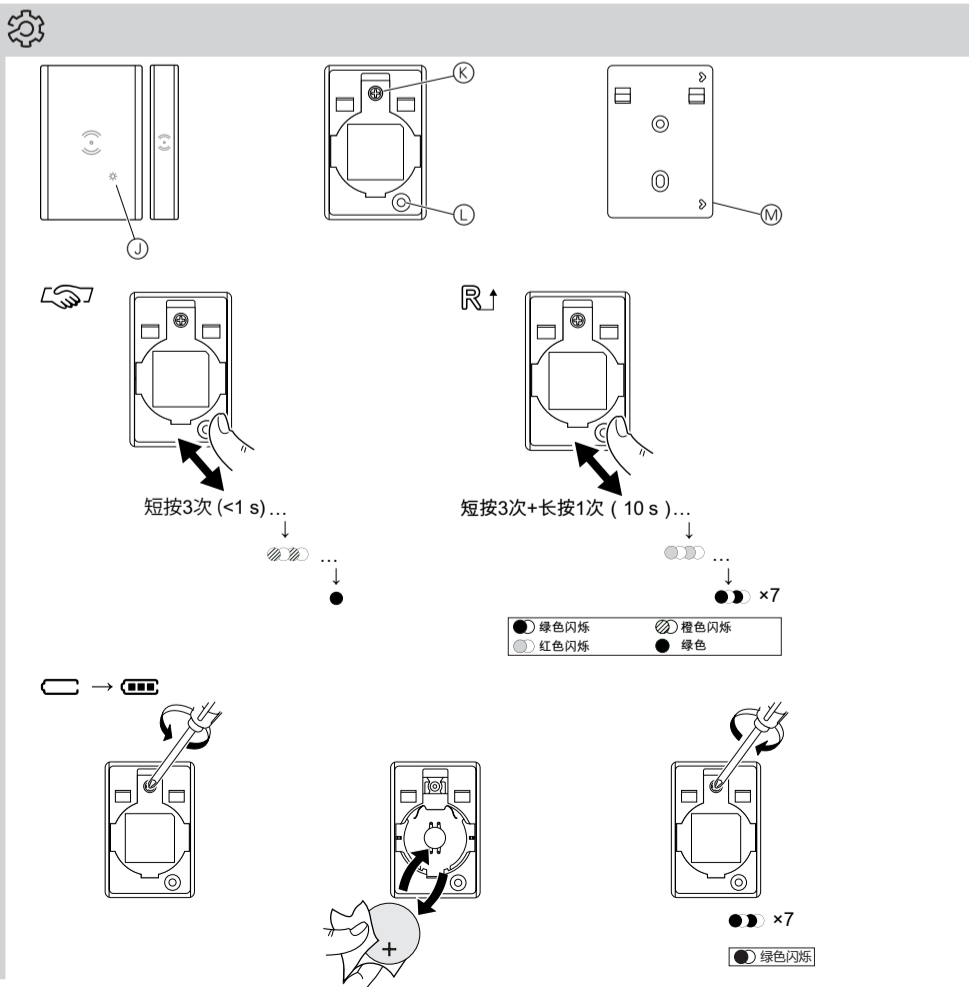
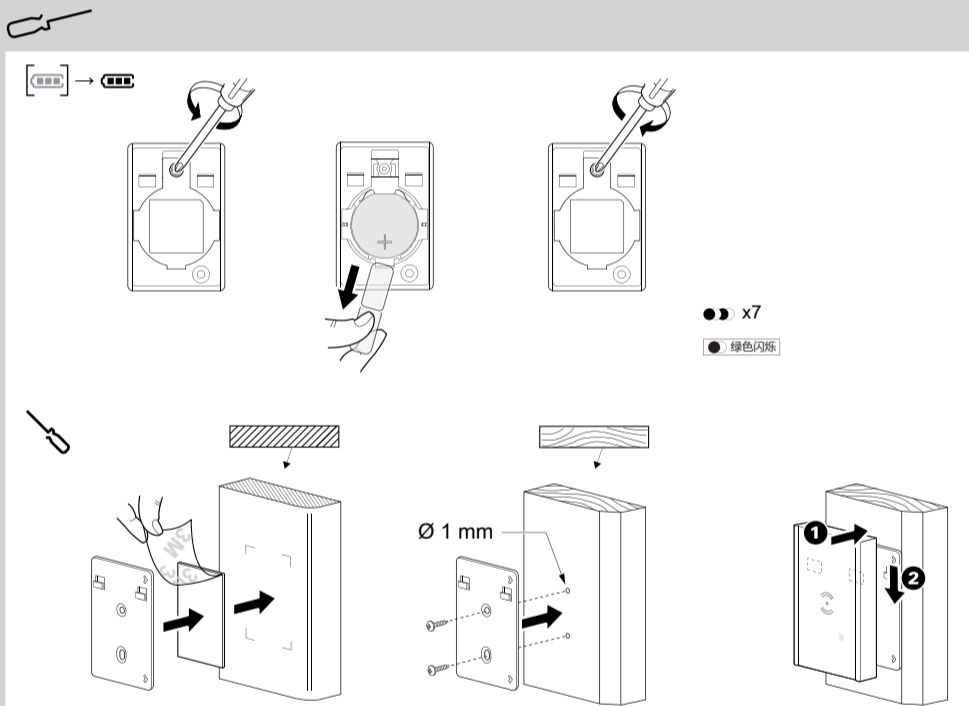
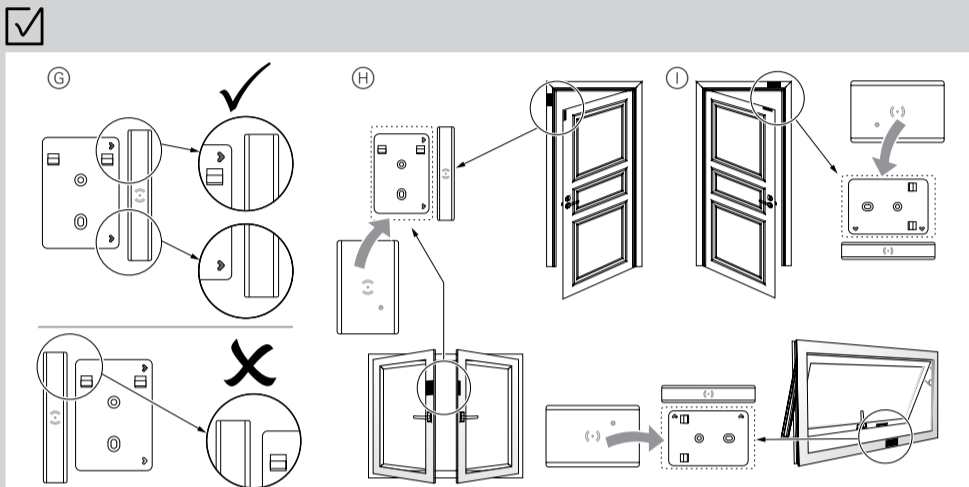
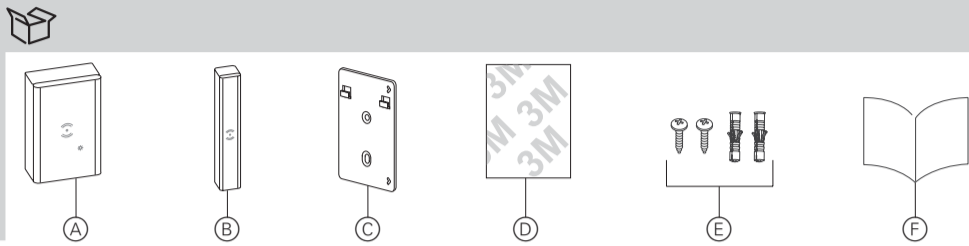


CCT591011\_AS

Wiser



该产品与wiser网关CCT501900 或CCT501400\_C1 匹配工作请参考 [https://download.schneider-electric.com/files?p\\_Doc\\_Ref=MFR1569800](https://download.schneider-electric.com/files?p_Doc_Ref=MFR1569800)



zh 智能门窗传感器 CCT591011\_AS

### 安全提示

**注意**  
设备损坏风险  
请始终根据指定的技术数据操作产品。  
若不遵守此说明，则可能会导致设备损坏。

### 前提条件

通过 Wiser by SE app 下载该应用程序到您的智能手机上，以配置智能门窗传感器



App Store 的 URL:  
<https://itunes.apple.com/us/app/wiser-by-se/id1026806919?ls=1&mt=8>



Android Store 的 URL:  
<https://www.schneider-electric.cn/zh/product-range-download/65750-经尚无线智能家居/#/software-firmware-tab>

### 产品简介

智能门窗传感器包含两个独立部件：主部件和从部件。主部件包括用于检测从部件的传感电路。磁铁在从部件。

当传感器与智能ZB/IP网关连接，且打开或关闭门窗后，主部件（传感器）将状态变化直接报告给智能ZB/IP网关。

若电池电量不足（低于 10%），LED 状态灯每分钟呈橙色闪烁一次，并向智能ZB/IP网关发送一条消息。

### 包装内容

- (A) 主部件（传感器）
- (B) 从部件（磁铁）
- (C) 底板
- (D) 3M胶
- (E) 螺钉：2 颗；ST4.2 × 25 mm（带塑胶套管）
- (F) 安装说明书

### 选择安装位置

将主部件和从部件安装在推荐位置。

- (G) 底板和从部件的正确及错误安装示意图
- (H) 垂直方向的安装示意图
- (I) 水平方向的安装示意图

### 安装传感器

取下电池隔离条

安装

- 对于木质或塑料表面，可用3M胶或安装螺钉。
- 若用螺钉，则需预先打一个 1 mm 的孔。
- 对于金属表面，则仅使用3M胶。
- 为避免降低传感器性能，请勿将其安装在磁性设备附近。
- 当门窗处于关闭状态时，传感器主部件和从部件之间的距离应 <18 mm（木质或塑料表面等非金属底座），和 <10 mm（金属底座）。

### 操作元件

- (J) LED 状态灯
- (K) 底盖螺丝
- (L) 功能键
- (M) 底板

### 设置传感器

从基板上拆下主部件，以访问功能键 (L)。

与智能ZB/IP网关连接

- 在 1 s 内快速按下功能键 3 次传感器可扫描可用的Zigbee网络。如果传感器成功连接到智能ZB/IP网关，则 LED 状态灯变为绿色。
- 按照 Wiser by SE app 中的指引明，通过智能ZB/IP网关设置传感器参数。

重置传感器

在 1 s 内快速按下功能键 3 次，随后长按功能键一次（适用于 >10 s），即可将传感器重置为出厂默认模式。

所有配置数据，用户数据和网络数据均被删除。

更换电池

### LED 状态灯的行为

请参阅系统用户指南。

### 故障排除

请参阅系统用户指南。

### 技术参数

电池	3 VDC, CR2450
电池寿命	最多5 年（电池寿命可能会因使用类型，固件升级频率和环境而异）
额定功率	≤90 mW
最大传输功率	≤7 dBm
IP 等级	IP20
工作温度	-10 °C - +50 °C
相对湿度	10% - 95%
频率范围	2405 MHz - 2480 MHz
主部件尺寸 (H × W × D)	50.3 × 33.0 × 16.3 mm
从部件尺寸 (H × W × D)	50 × 9 × 9 mm
标准	符合 EN 60669-2-5 标准 符合 IEC 60669-2-5 标准
认证	符合 CE 标准 符合 Zigbee 3.0 标准

商标

- Apple® 和 App Store® 是 Apple Inc. 的品牌名称或注册商标。
  - Android™ 是 Google Inc. 的品牌名称或注册商标。
  - Zigbee® 是 Zigbee Alliance 的注册商标
- 所有其他商标和注册商标均为其各自所有者的财产。

### 施耐德电气(中国)有限公司

北京市朝阳区望京东路六号A座

客户支持热线：400 810 1315

[se.com/contact](http://se.com/contact)