

en zh



Wiser by SE app

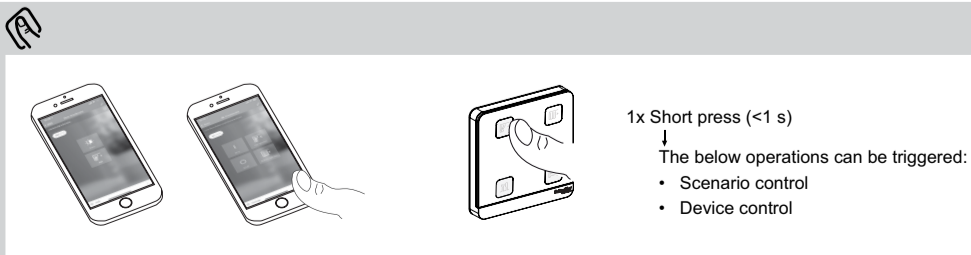
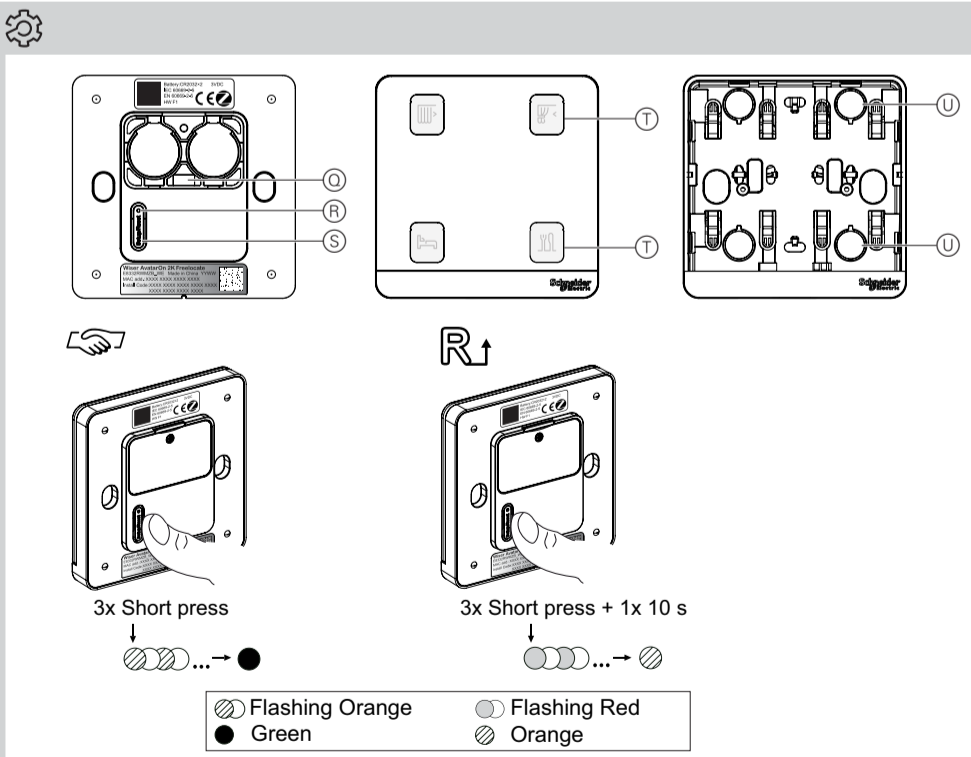
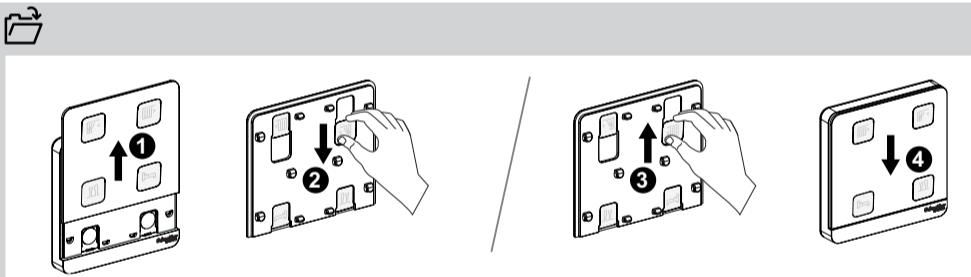
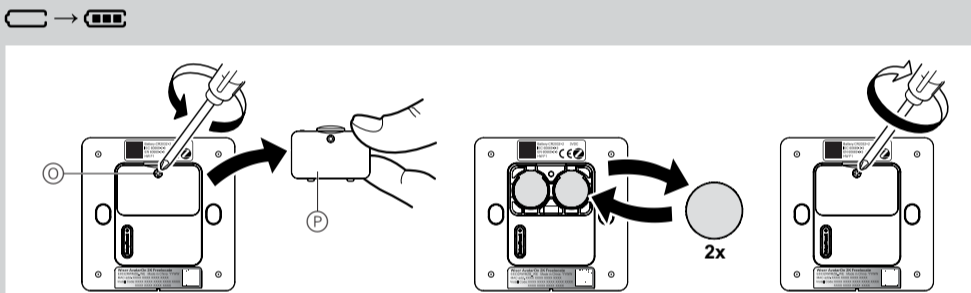
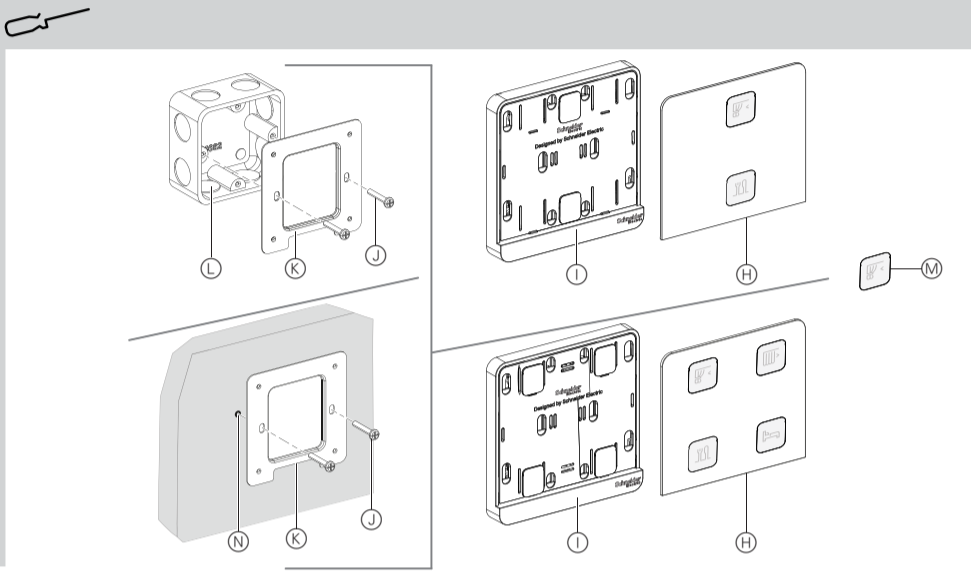
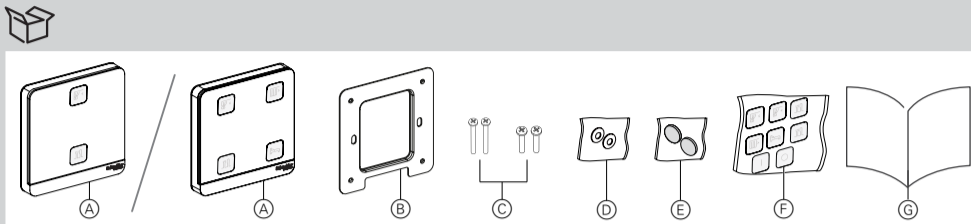


E8332RWMZB_WE/ E8332RWMZB_WG
E8334RWMZB_WE/ E8334RWMZB_WG

AvatarOn



Works with Wiser Hub CCT501900. Refer to System user guide for more information:
https://download.schneider-electric.com/files?p_Doc_Ref=MFR1569800



en **Wiser AvatarOn 2K Freelocate**
Wiser AvatarOn 4K Freelocate
E8332RWMZB_WE/ E8332RWMZB_WG
E8334RWMZB_WE/ E8334RWMZB_WG

NOTICE

RISK OF DAMAGE TO DEVICE

Always operate the product in compliance with the specified technical data.

Failure to follow these instructions can result in equipment damage.

Prerequisites

Scan the QR code to download the Wiser by SE app onto your smartphone to configure and control the Wiser Zigbee devices.



App Store URL:
<https://itunes.apple.com/us/app/wiser-by-se/id1026806919?ls=1&mt=8>



Google Play Store URL:
<https://play.google.com/store/apps/details?id=com.schneiderelectric.WiserBySE>

Getting to know the product

The Wiser AvatarOn 2K Freelocate or Wiser AvatarOn 4K Freelocate (the *device*) is used to control a group of Wiser Zigbee devices after successful commissioning. The device can be configured either through the Wiser by SE app or through E-mode commissioning.

i The device must not be used to control safety relevant applications.

Package contents

- A Wiser AvatarOn 2K Freelocate, Wiser AvatarOn 4K Freelocate
- B Metal bracket
- C Screws - 2 M3.5 × 32 mm, 2 M4.0 × 25 mm
- D Washers
- E Batteries
- F Freelocate icons: 2K Freelocate - 6 icons, 4K Freelocate - 10 icons
- G Installation instructions

Connection elements

- H Cover plate
- I Module
- J Screws
- K Metal bracket
- L Wall box
- M Freelocate icon
- N Washer

i The wall box is not included in the package.

Battery elements

- O Battery cover screw
- P Battery cover

Mounting the device

Choosing the installation location

- i** The device can be installed on the wall box or directly on the wall.
- If the device is mounted on the wall box, make sure there is sufficient depth (15 mm) on the wall to install the device. A standard 86 wall box must be used for installation.

Connecting the device

i Do not install the device behind large metal objects, such as refrigerators, cabinets, or cupboards, as it affects the wireless communication range and performance of the device.

Replacing the batteries

- 1 Remove the device from the metal bracket.
- 2 Turn over and unscrew the battery cover screw to remove the battery cover.
- 3 Replace the batteries and secure the battery cover.

Replacing the freelocate icons

- 1 Remove the cover plate by sliding it upwards.
- 2 Turn over the cover plate and remove the freelocate icon to be replaced.
- 3 Insert the new freelocate icon into the slot and move it upwards.
- 4 Reinstall the cover plate.

Available freelocate icons

Icon	Icon Description	2K Freelocate	4K Freelocate
○	Off	✓	✓
I	On	✓	✓
☷	Curtain open	✓	✓
☷	Curtain close	✓	✓
🛏	Sleep	✓	✓
🍽	Dinner	✓	✓
🏠	Leave Home/Away		✓
🏠	Welcome		✓
💡	On/Off		✓
☀	Dim up/Dim down		✓

Operating elements

- ⓐ Programming port
- ⓑ Programming indicator
- ⓒ Setup/Reset button
- ⓓ Local control button
- ⓔ Backlight button indicator

Setting the device

Commissioning the device

Short press the Setup/Reset button 3 times with a time interval of <1 s to connect to an available Zigbee network.

For more information, refer to the system user guide.

Resetting the device

Short press the Setup/Reset button 3 times with a time interval of <1 s and then long press once for >10 s to reset the device to factory default mode.

Upon successful device reset, all configuration data, user data, and network data is deleted.

E-mode commissioning

E-mode system consists of Wiser AvatarOn Switches, Wiser AvatarOn Curtain Switches, Wiser AvatarOn Dimmers, and Wiser AvatarOn Freelocates.

After successful E-mode commissioning, you can remotely control the corresponding channels on the Wiser AvatarOn Switches, Wiser AvatarOn Curtain Switches, Wiser AvatarOn Dimmers with Wiser AvatarOn Freelocates. In E-mode commissioning, the Wiser AvatarOn Switches, Wiser AvatarOn Curtain Switches, and Wiser AvatarOn Dimmers can create a Zigbee network.

Refer to the system user guide for E-mode commissioning procedures.

Operating the device

You can remotely control the corresponding channels on the Wiser AvatarOn Switches, Wiser AvatarOn Curtain Switches, Wiser AvatarOn Dimmers through the Wiser AvatarOn Freelocates or Wiser by SE app.

Behaviour of the programming indicator

Refer to the system user guide.

Troubleshooting

Refer to the system user guide.

Technical data

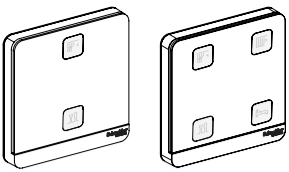
Battery	3 VDC, CR2032 ×2
Battery life	Up to 2 years (may vary based on the usage, frequency of firmware update and environment)
Number of keys	2K Freelocate - 2 keys 4K Freelocate - 4 keys
Washer	∅ 7 × ∅ 4 × 3.5 mm
Max transmitted power	≤10 dBm
Frequency range	2400 MHz to 2483.5 MHz
IP rating	IP20
Operating temperature	-10 °C to 45 °C
Relative humidity	10% to 95%
Product dimensions (H × W × D)	86 × 86 × 14 mm
Wall box dimensions (H × W × D)	75 × 75 × 15 mm i The wall box must have minimum 15 mm depth.
Standards	EN 60669-2-5 IEC 60669-2-5
Certification	CE compliant Zigbee 3.0 compliant

Trademarks

- Zigbee® is a registered trademark of the Zigbee Alliance.
 - Apple® and App Store® are brand names or registered trademarks of Apple Inc.
 - Google Play™ Store and Android™ are brand names or registered trademarks of Google Inc.
- Other brands and registered trademarks are properties of their relevant owners.

Schneider Electric Asia Pacific Limited

11th Floor, Kerry Centre, 683 King's Road, Quarry Bay, Hong Kong
se.com/contact



en zh



Wiser by SE app

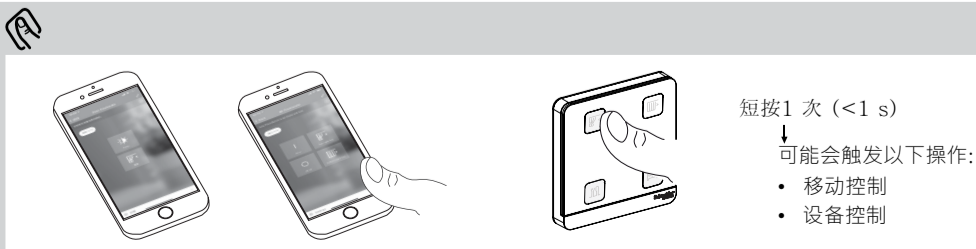
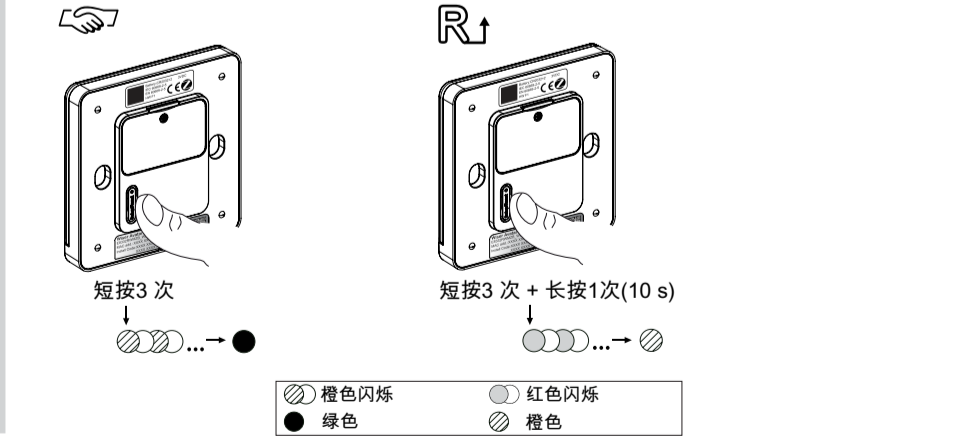
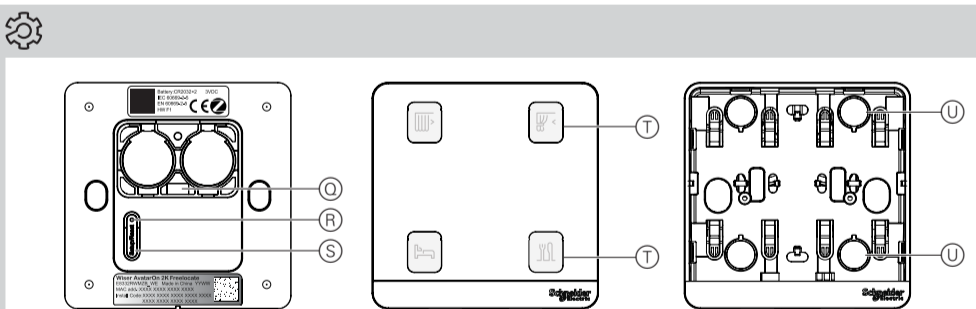
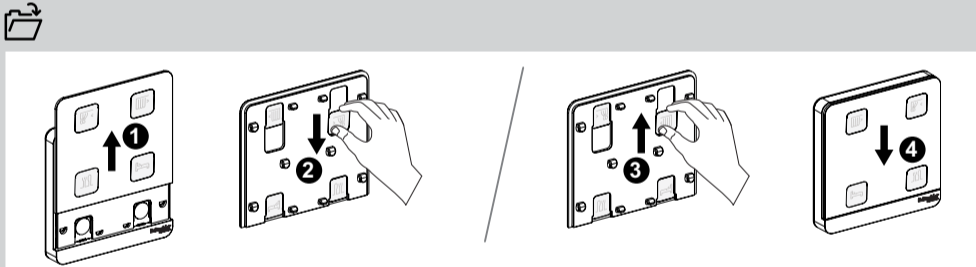
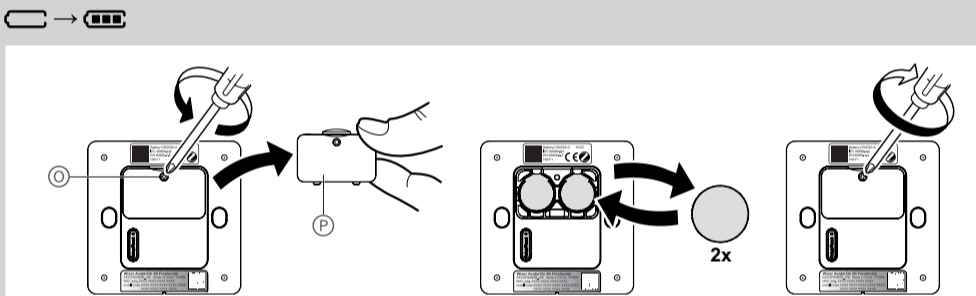
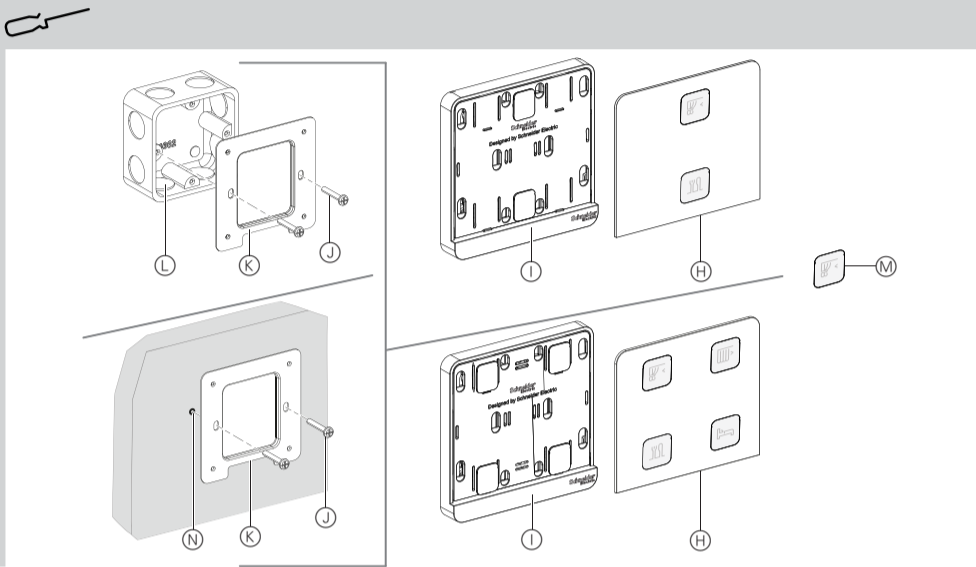
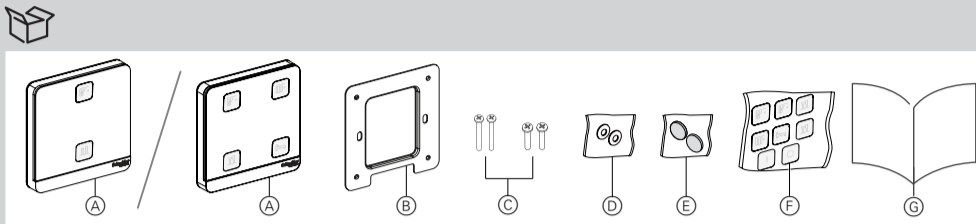


E8332RWMZB_WE/ E8332RWMZB_WG
E8334RWMZB_WE/ E8334RWMZB_WG

AvatarOn



该产品与Wiser网关CCT501900或CCT501400_C1匹配工作请参考
https://download.schneider-electric.com/files?p_Doc_Ref=MFR1569800



zh

智能两键场景开关 智能四键场景开关

E8332RWMZB_WE/ E8332RWMZB_WG
E8334RWMZB_WE/ E8334RWMZB_WG

注意

设备损坏风险

请始终根据指定的技术数据操作产品。
若不遵守此说明，则可能会导致设备损坏。

前提条件

扫描二维码下载 Wiser by SE app 到您的智能手机，以配置和安装 Wiser Zigbee 设备



App Store 的 URL:
<https://itunes.apple.com/us/app/wiser-by-se/id1026806919?ls=1&mt=8>



Android Store 的 URL:
<https://www.schneider-electric.cn/zh/product-range-download/65750-经尚无线智能家居/#/software-firmware-tab>

产品简介

智能两键场景开关或智能四键场景开关（本设备）用于在调试成功后对一组 Wiser Zigbee 设备进行控制。设备既可以通过 Wiser by SE app，也可通过简单模式调试进行配置，也可通过简单模式调试进行配置。



此设备不得用于控制安全相关的应用。

包装内容

- Ⓐ 智能两键场景开关，智能四键场景开关
- Ⓑ 金属支架
- Ⓒ 螺钉：
2 颗：M3.5 × 32 mm
2 颗：M4.0 × 25 mm
- Ⓓ 垫圈
- Ⓔ 电池
- Ⓕ 场景开关图标：
两键场景开关 - 6 个图标
四键场景开关 - 10 个图标
- Ⓖ 安装说明书

连接元件

- Ⓗ 盖板
- Ⓘ 模块
- Ⓝ 螺钉
- Ⓚ 金属支架
- Ⓛ 墙盒
- Ⓜ 场景开关图标
- Ⓝ 垫圈



包装内不包含暗线箱。

电池元件

- ⓐ 电池盖螺钉
- ⓑ 电池盖

安装设备

选择安装位置



- 此设备可以安装在墙盒内，也可直接安装在墙壁上。
- 如果将设备安装到墙盒内，则墙体必须够深(15 mm)，以安装设备。必须使用标准的 86 墙盒进行安装。

连接设备



请勿将此设备安装在冰箱，碗柜或橱柜等大型金属物体背后，因为这会影响设备的无线通信范围和性能。

更换电池

- ① 从金属支架上取下设备。
- ② 将设备翻转，拧下电池盖螺丝，取下电池盖。
- ③ 更换电池，并在电池盖上固定。

更换场景开关图标

- ① 向上滑动盖板以便取下。
- ② 将盖板翻一面，取下待更换的场景开关图标。
- ③ 将新的场景开关图标插入槽内，并上移推紧。
- ④ 重新装上盖板。

可用的场景开关图标

图标	图标说明	两键场景开关	四键场景开关
○	关	✓	✓
I	开	✓	✓
☰	窗帘打开	✓	✓
☷	窗帘闭合	✓	✓
🛏	睡眠	✓	✓
🍴	用餐	✓	✓
🏠	离家/离开	✓	✓
🏠	欢迎	✓	✓
💡	开/关	✓	✓
☀️	调亮/调暗	✓	✓

操作元件

- ⓐ 编程端口
- ⓑ 编程指示灯
- Ⓝ Setup/Reset 按键
- Ⓞ 本地控制按键
- Ⓟ 背光按钮指示灯

设置设备

调试设备

快速按下 Setup/Reset 按键 3 次，时间间隔应 <1 s，以连接至可用的 Zigbee 网络，更多信息，请参阅系统用户指南。

重置设备

快速按 Setup/Reset 按键 3 次，时间间隔应 <1 s，随后，长按 Setup/Reset 按钮一次（时长 >10 s），即可将设备重置为出厂默认模式。设备重置成功后，所有配置数据，用户数据和网络数据均被删除。

简单模式调试

简单模式调试系统由智能开关，智能窗帘开关，智能调光开关和智能场景开关组成。

简单模式调试成功后，即可对智能开关，智能窗帘开关，智能调光开关，智能场景开关上的相应通道实施远程控制。在进行简单模式调试期间，智能开关，智能窗帘开关和智能调光开关可创建一个 Zigbee 网络。

有关简单模式调试流程，请参阅系统用户指南。

操作设备

可通过智能场景开关或是通过 Wiser by SE app 对智能开关，智能窗帘开关，和智能调光开关进行相应的控制。

编程指示灯的行为

请参阅系统用户指南。

故障排除

请参阅系统用户指南。

技术参数

电池	3 VDC, CR2032 ×2
电池寿命	最多 2 年（电池寿命可能会因使用类型，固件升级频率和环境而异）
按键数	两键场景开关 - 2 个按键 四键场景开关 - 4 个按键
垫圈	Ø 7 × Ø 4 × 3.5 mm
最大传输功率	≤10 dBm
频率范围	2400 MHz - 2483.5 MHz
IP 等级	IP20
工作温度	-10 °C - +45 °C
相对湿度	10% - 95%
产品尺寸 (H × W × D)	86 × 86 × 14 mm
墙盒尺寸 (H × W × D)	75 × 75 × 15 mm 墙盒的深度至少为 15 mm。
标准	符合 EN 60669-2-5 标准 符合 IEC 60669-2-5 标准
认证	符合 CE 标准 符合 Zigbee 3.0 标准

部件名称 Part Name	有害物质					
	铅 Pb	汞 Hg	镉 Cd	六价铬 Cr(VI)	多溴联苯 PBB	多溴二苯醚 PBDE
金属件 Metal parts	x	o	o	o	o	o
塑胶件 Plastic parts	o	o	o	o	o	o
电子件 Electronic	x	o	o	o	o	o
触点 Contacts	o	o	o	o	o	o
线缆和线缆附件 Cables and cabling accessories	o	o	o	o	o	o

本表格依据 SJ/T11364 的规定编制。
o: 表示该有害物质在该部件所有均质材料中的含量均在 GB/T 26572 规定的限量要求以下。
x: 表示该有害物质至少在该部件的某一均质材料中的含量超出 GB/T 26572 规定的限量要求。

This table is made according to SJ/T 11364.

o: indicates that the concentration of hazardous substance in all of the homogeneous materials for this part is below the limit as stipulated in GB/T 26572.

x: indicates that concentration of hazardous substance in at least one of the homogeneous materials used for this part is above the limit as stipulated in GB/T 26572. **商标**

- Zigbee® 是 Zigbee Alliance 的注册商标。
- Apple® 和 App Store® 是 Apple Inc. 的品牌名称或注册商标。
- Android™ 是 Google Inc. 的品牌名称或注册商标。

所有其他商标和注册商标均为其各自所有者的财产。

施耐德电气(中国)有限公司

北京市朝阳区望京东路六号A座

客户支持热线: 400 810 1315

se.com/contact